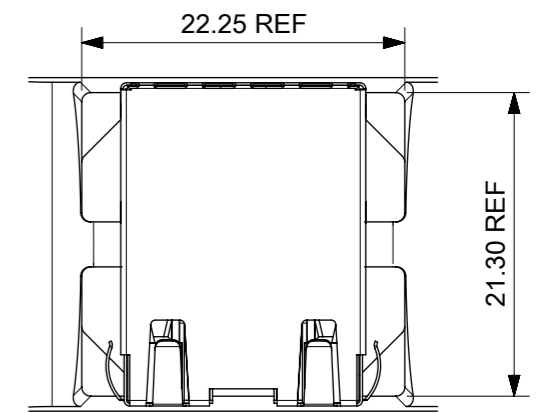
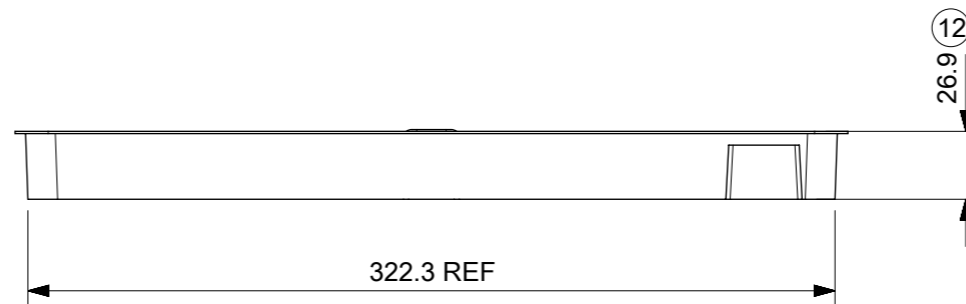
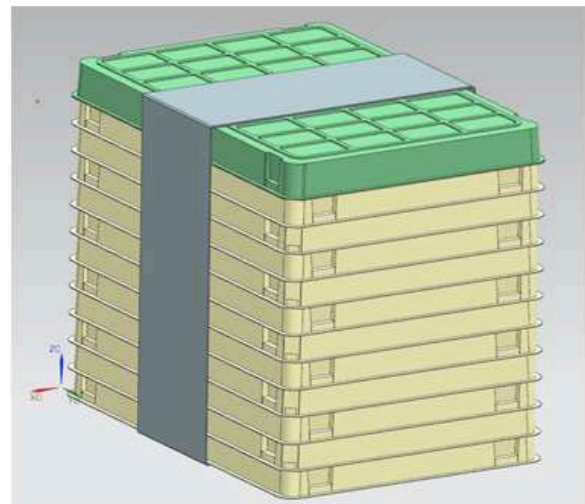
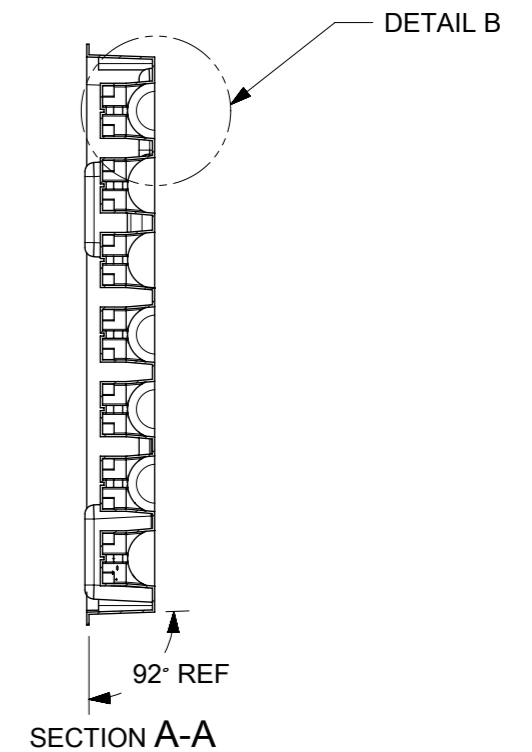
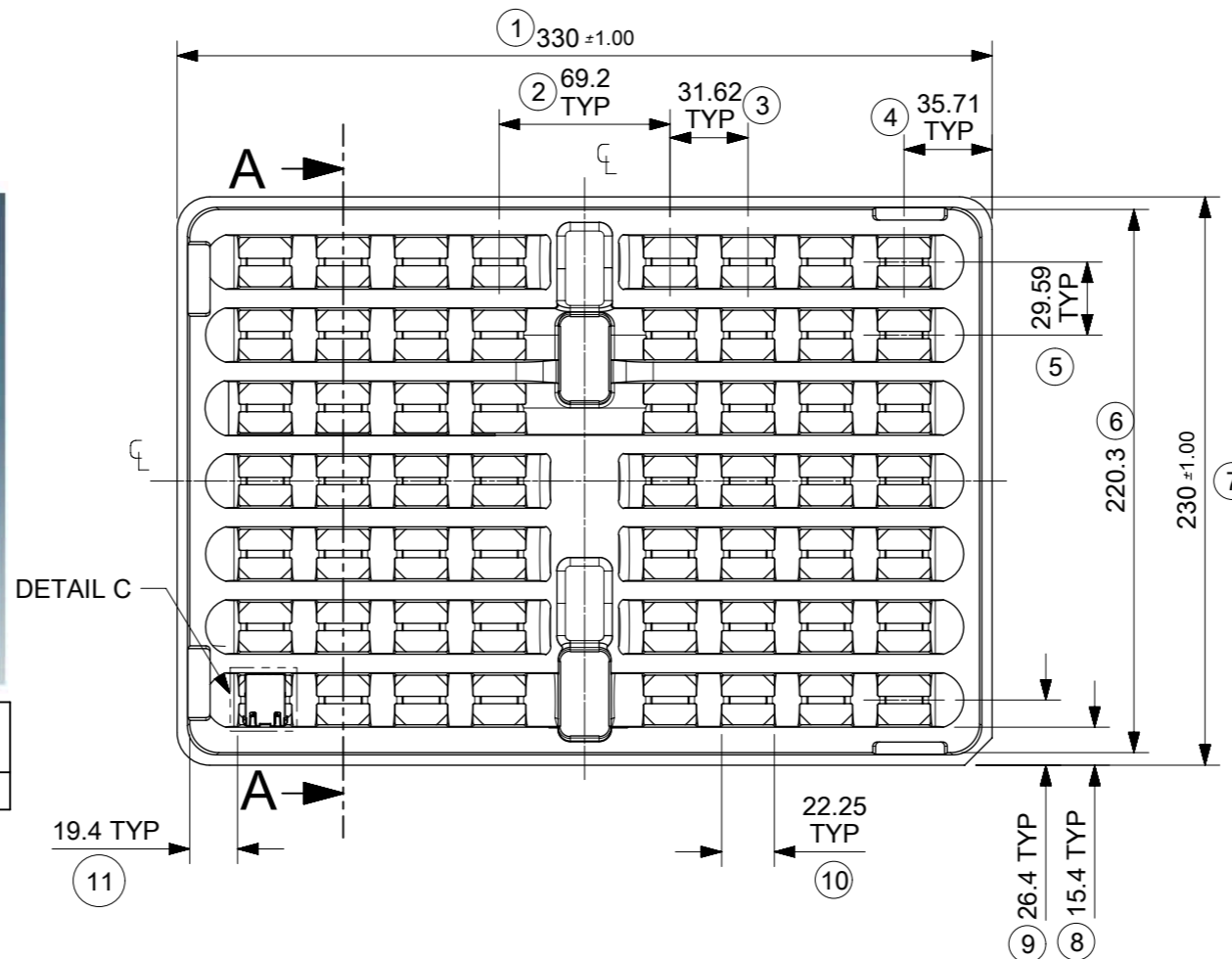


DETAIL B



DETAIL C
SCALE 2:1



VERSION	QUANTITY PER TRAY	QUANTITY OF TRAYS PER BOX	QUANTITY PER BOX	QUANTITY PER PALLET
0.85" VERSION	56	12	672	18,144

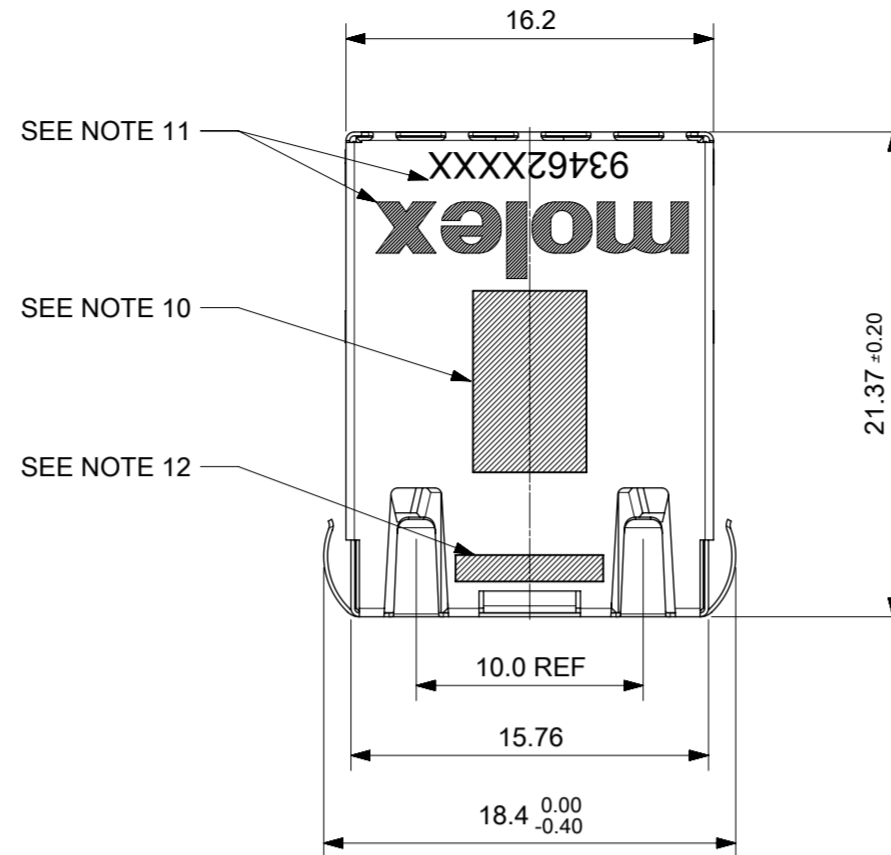
NOTES:

- MATERIAL: PETA ANTISTATIC
- THICKNESS: 0.9mm ±0.05mm
- COLOUR: CLEAR
- BOW 2mm MAXIMUM PER 330mm
- TWIST 2mm MAXIMUM PER 330mm
- TRAY PART NO. AND RECYCLE LOGO TO BE CLEARLY MARKED ON TRAY
RECYCLE LOGO SHOULD BE APPROPRIATE TO MATERIAL USED
- WHERE RELEVANT, DIMENSIONS SHOULD BE SYMMETRICAL ABOUT THE CENTRELINE
- GENERAL PROFILE TOLERANCE $\overline{\cup}$ 0.40 ON NON DIMENSIONED FEATURES

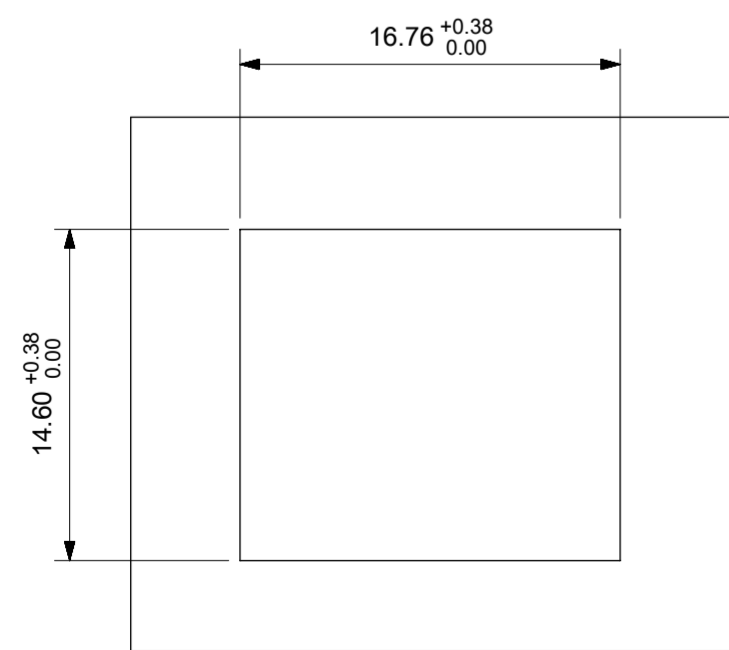
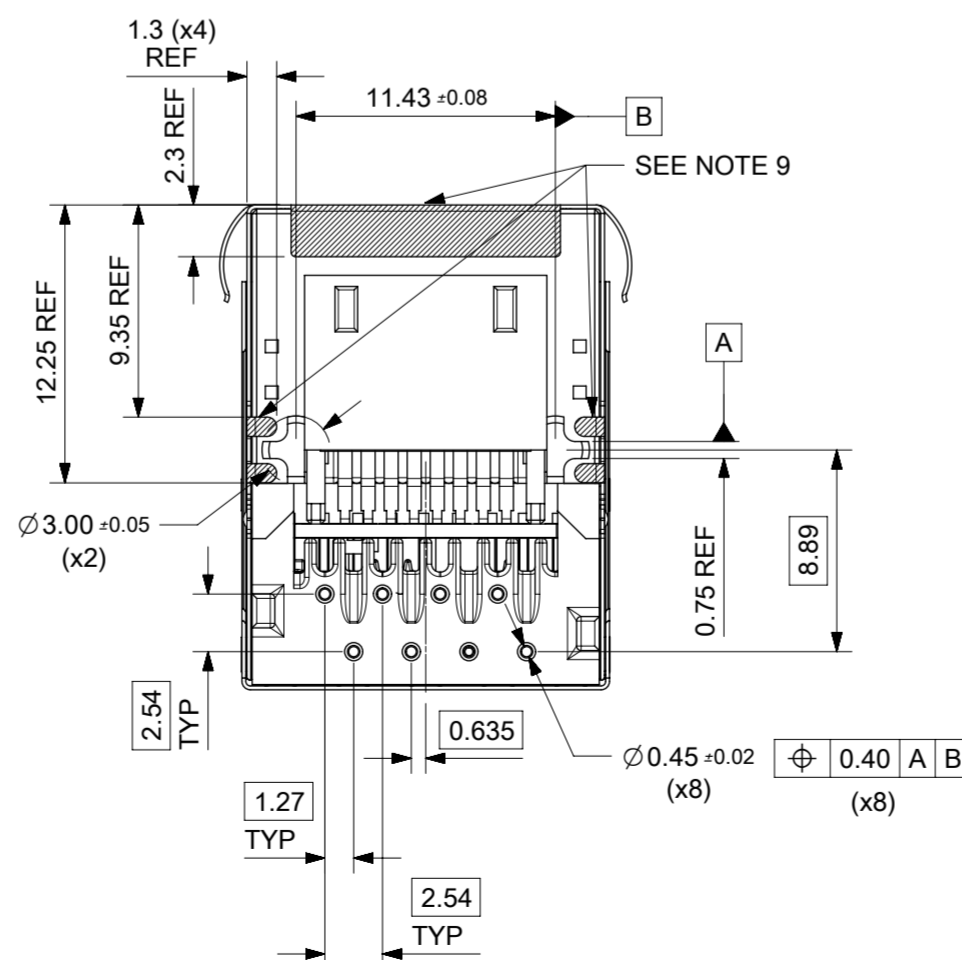
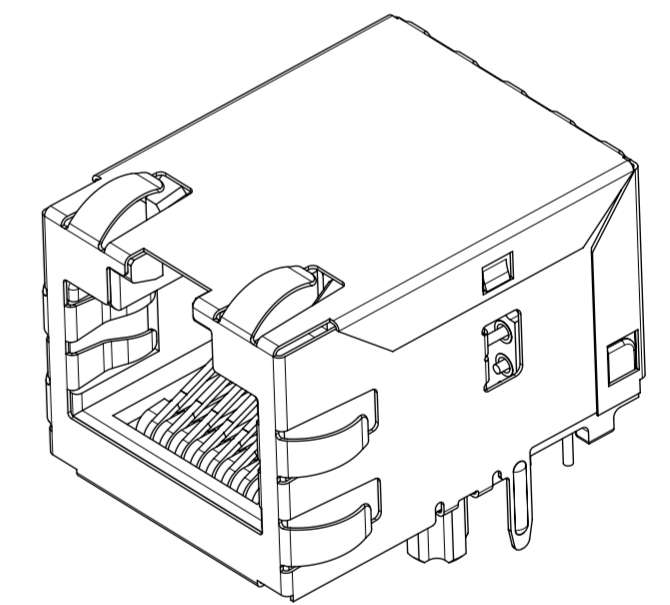
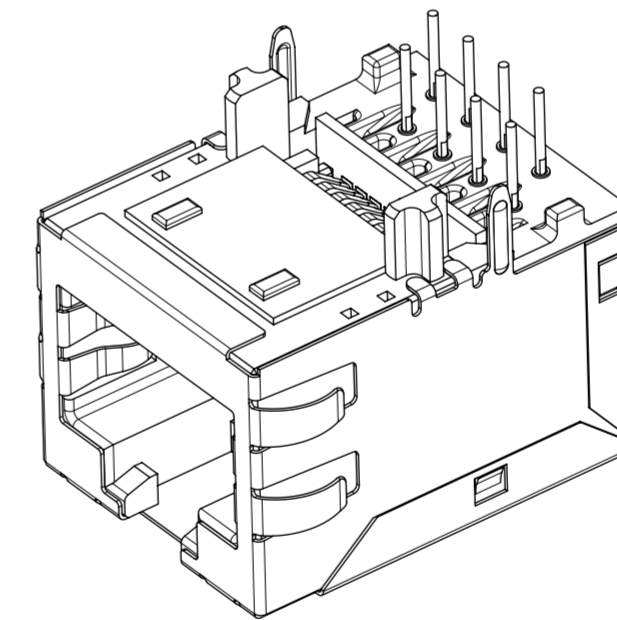
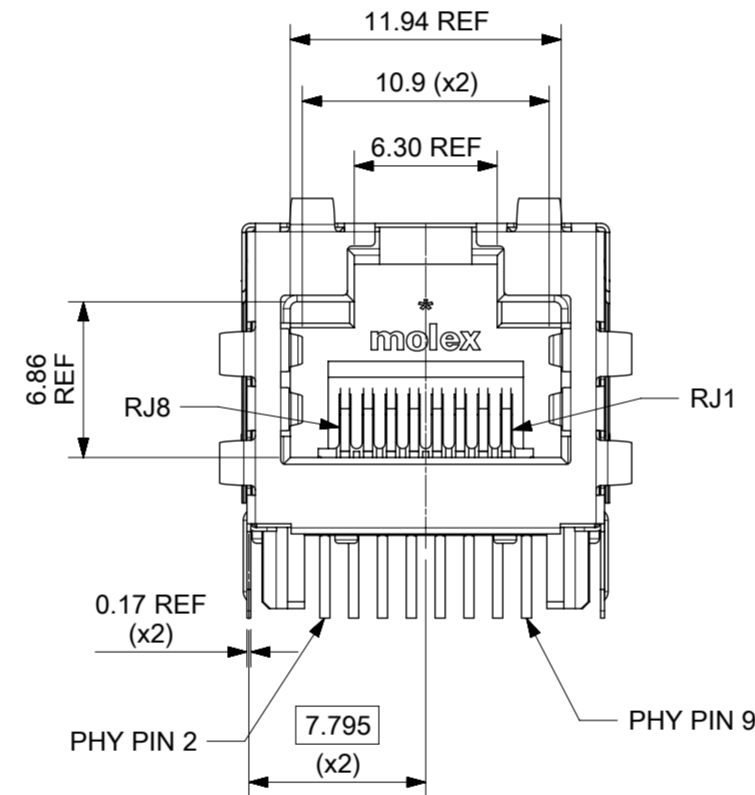
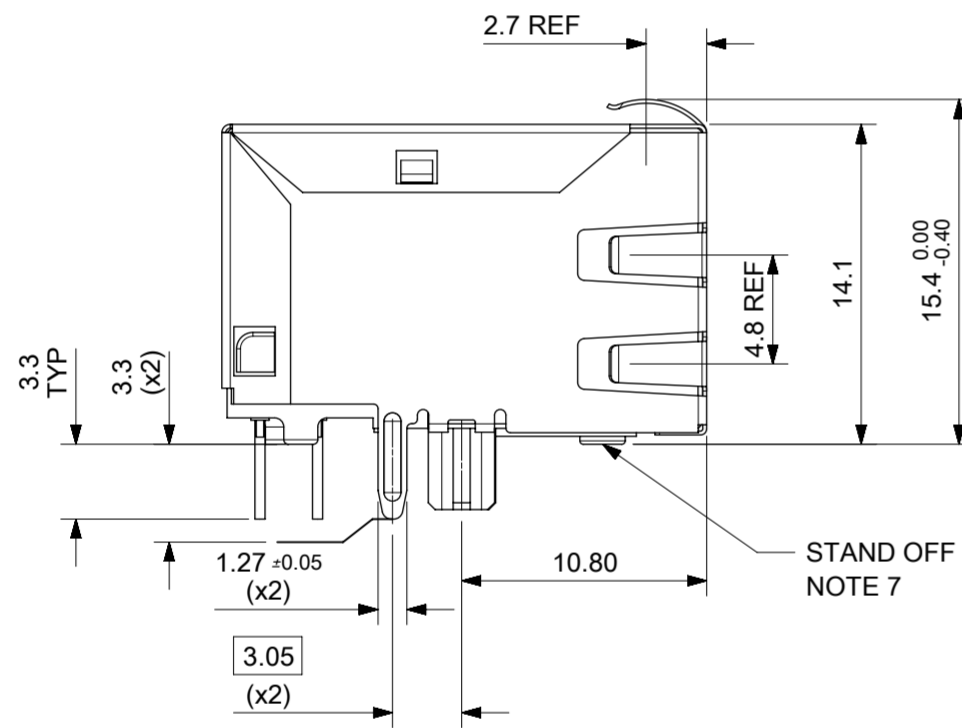
LAST INSPECTION NUMBER USED: 12

THIS DRAWING CONTAINS INFORMATION THAT IS PROPRIETARY TO MOLEX ELECTRONIC TECHNOLOGIES, LLC AND SHOULD NOT BE USED WITHOUT WRITTEN PERMISSION												
QUALITY SYMBOLS ∇_A = 0 ∇_E = 0 ∇_F = 0 ∇_G = 0 ∇_H = 0 ∇_I = 0 ∇_J = 0 ∇_K = 0 ∇_L = 0	ORIGINAL RELEASE EC NO: 109024 DRWN: DALLENO1 CHK'D: DALLENO1 APPR: STGRIFFIN		2016/10/04 2016/12/07 2016/12/07		GENERAL TOLERANCES (UNLESS SPECIFIED) ANGULAR TOL ± 1.0 ° 4 PLACES ± 3 PLACES ± 2 PLACES ± 0.2 1 PLACE ± 0.5 0 PLACES ±		DRAFT WHERE APPLICABLE MUST REMAIN WITHIN DIMENSIONS		DIMENSION UNITS MM		SCALE 1:3	
	DRWN BY KREILLY				DATE 2016/05/06		CHK'D BY		DATE		molex®	
	APPR BY				DATE		PRODUCT CUSTOMER DRAWING		DRAWING SIZE A3		THIRD ANGLE PROJECTION	
	SERIES 93462		MATERIAL NUMBER 990250150		CUSTOMER GENERAL MARKET		DOCUMENT NUMBER 934620003		DOC TYPE PSD		DOC PART K	
SHEET NUMBER 1 OF 1												

INVERTED PROFILE MAGNETIC JACK
FAST ETHERNET W/SHIELD TABS

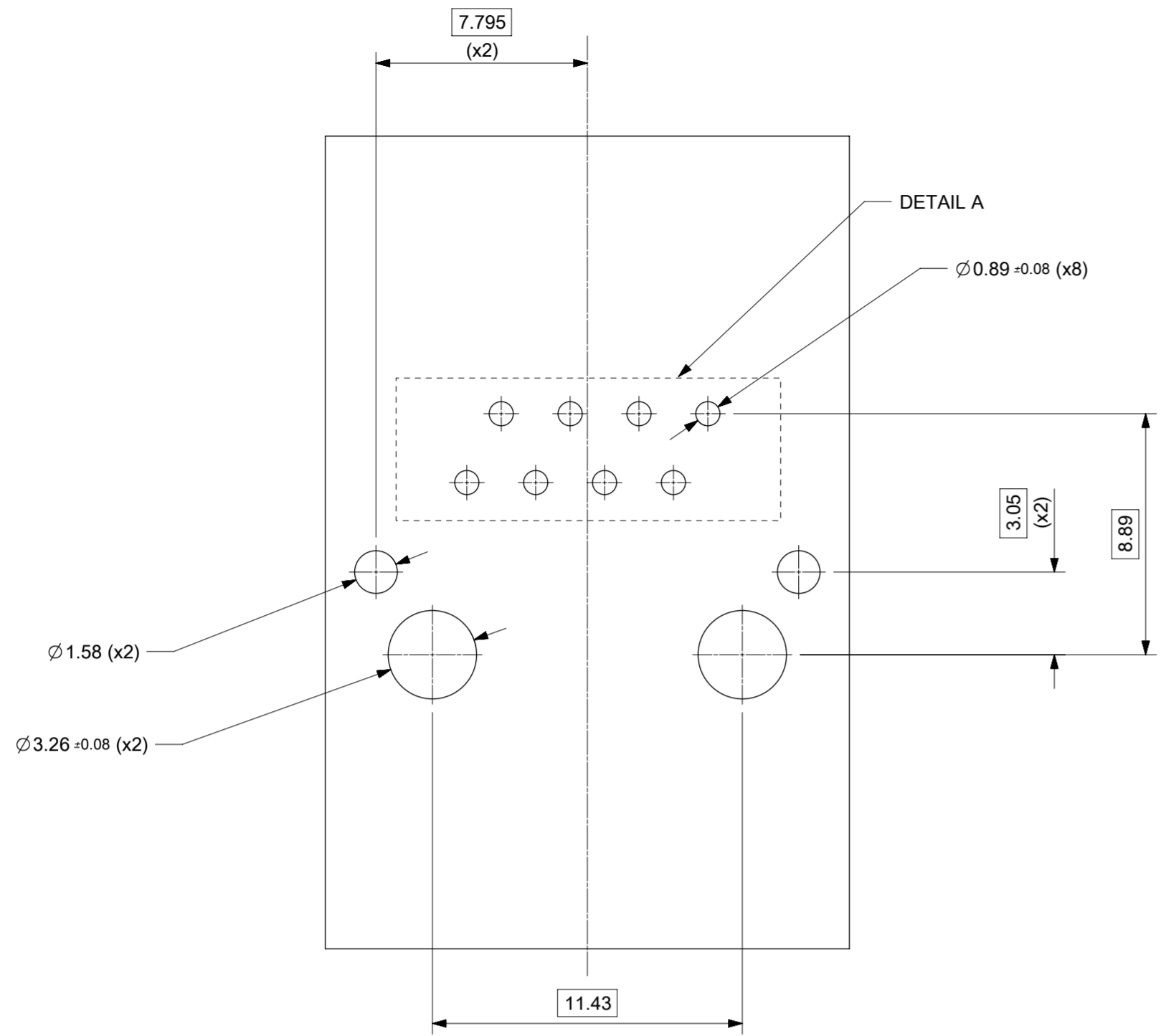


- NOTES:
- SHIELD MATERIAL: 0.17 mm THICK BRASS PRE-PLATED WITH NICKEL
SOLDER TABS POST DIPPED WITH MIN 1.27 μm TIN
 - HOUSING MATERIAL: LCP, BLACK, UL 94V-0
 - TERMINALS MATERIAL: PHOSPHOR BRONZE
RJ45 CONTACTS PLATING: BASE NICKEL PLATED WITH GOLD
FLASH OVER PALLADIUM NICKEL. REFER TO 934620001 PSP
PHY SOLDER TAILS: COPPER ALLOY
 - MATING INTERFACE ACCORDING TO IEC 60603-7 & TIA-1096-A
 - PRODUCT SPECIFICATION: 934620001 PSP
 - PACKAGING SPECIFICATION: 934620001 PSK - TRAY
 - STAND OFF TO SYSTEM BOARD 0.30 mm MIN
 - RECOMMENDED PCB THICKNESS: 1.57 mm
 - SHIELD: AVOID ROUTING TRACES
OR PLACING ANY VIAS BELOW THESE AREAS
 - AREA FOR PICK AND PLACE: 5.0 mm X 8.0 mm
 - INSCRIPTION MARKED BY LASER:
1st : MOLEX
2nd : P/N (SEE BOM)
 - INSCRIPTION MARKED BY LASER:
DATE CODE(DAY/WEEK/YEAR)
 - MATERIAL COMPLIANT TO RoHS DIRECTIVE 2002/95/EC

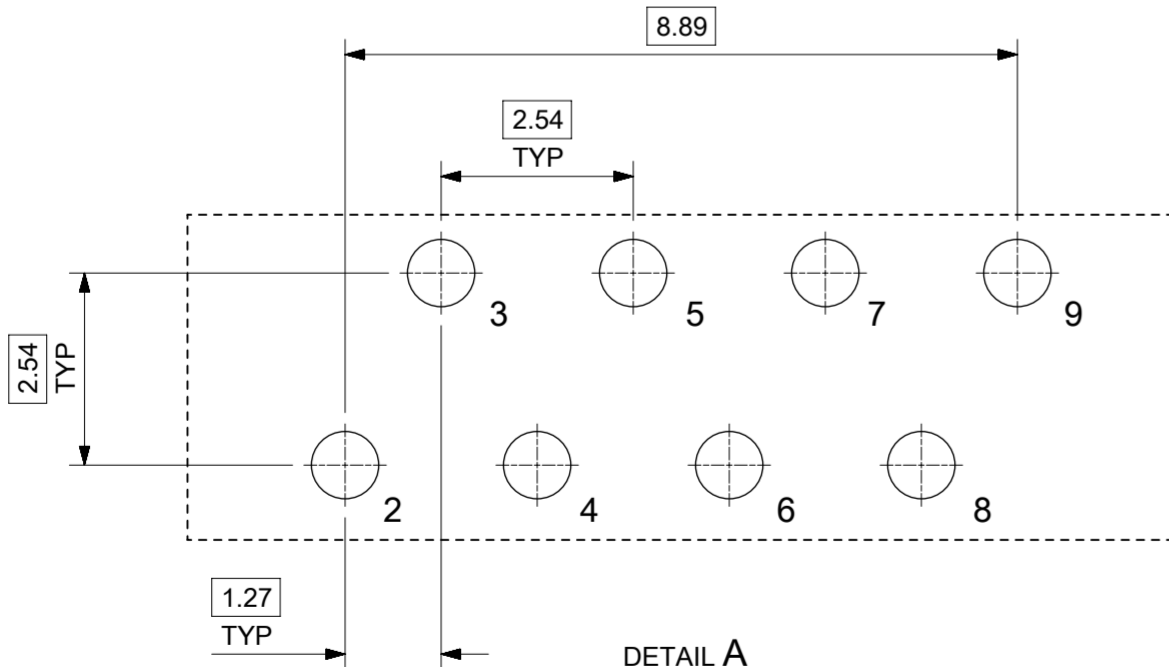


SUGGESTED PANEL CUT-OUT

REVISED		GENERAL TOLERANCES (UNLESS SPECIFIED)		DIMENSION UNITS	SCALE
EC NO: 116686	2017/05/09	mm	±	mm	3:1
DRWN: KREILLY	2017/09/12	ANGULAR TOL ± 2.0 °	DRWN BY	DATE	
CHKD: DSHEA	2017/09/26	4 PLACES ±	KREILLY	2015/09/28	
REV APPR: DBYRNES		3 PLACES ±	CHK'D BY	DATE	
		2 PLACES ± 0.1	DSHEA	2017/09/12	
		1 PLACE ± 0.2	APPR BY	DATE	
		0 PLACES ±	STGRIFFIN	2015/11/19	
DRAFT WHERE APPLICABLE MUST REMAIN WITHIN DIMENSIONS		DRAWING SIZE	THIRD ANGLE PROJECTION		
		A2			
molex					
INV MX-MAG 4 CORE FE W/SHIELD TABS					
PRODUCT CUSTOMER DRAWING					
SERIES	MATERIAL NUMBER	CUSTOMER			
93462	SEE TABLE ON SHEET 2	GENERAL MARKET			
DOCUMENT NUMBER		DOC TYPE	DOC PART	SHEET NUMBER	
934620004		PSD	000	1 OF 3	



SUGGESTED BOARD LAYOUT
FAST ETHERNET VERSION
COMPONENT SIDE
ALL DIMS REFERENCE DIMS



DETAIL A
SCALE 10:1

PIN CONFIGURATION
FOR FAST ETHERNET VERSION

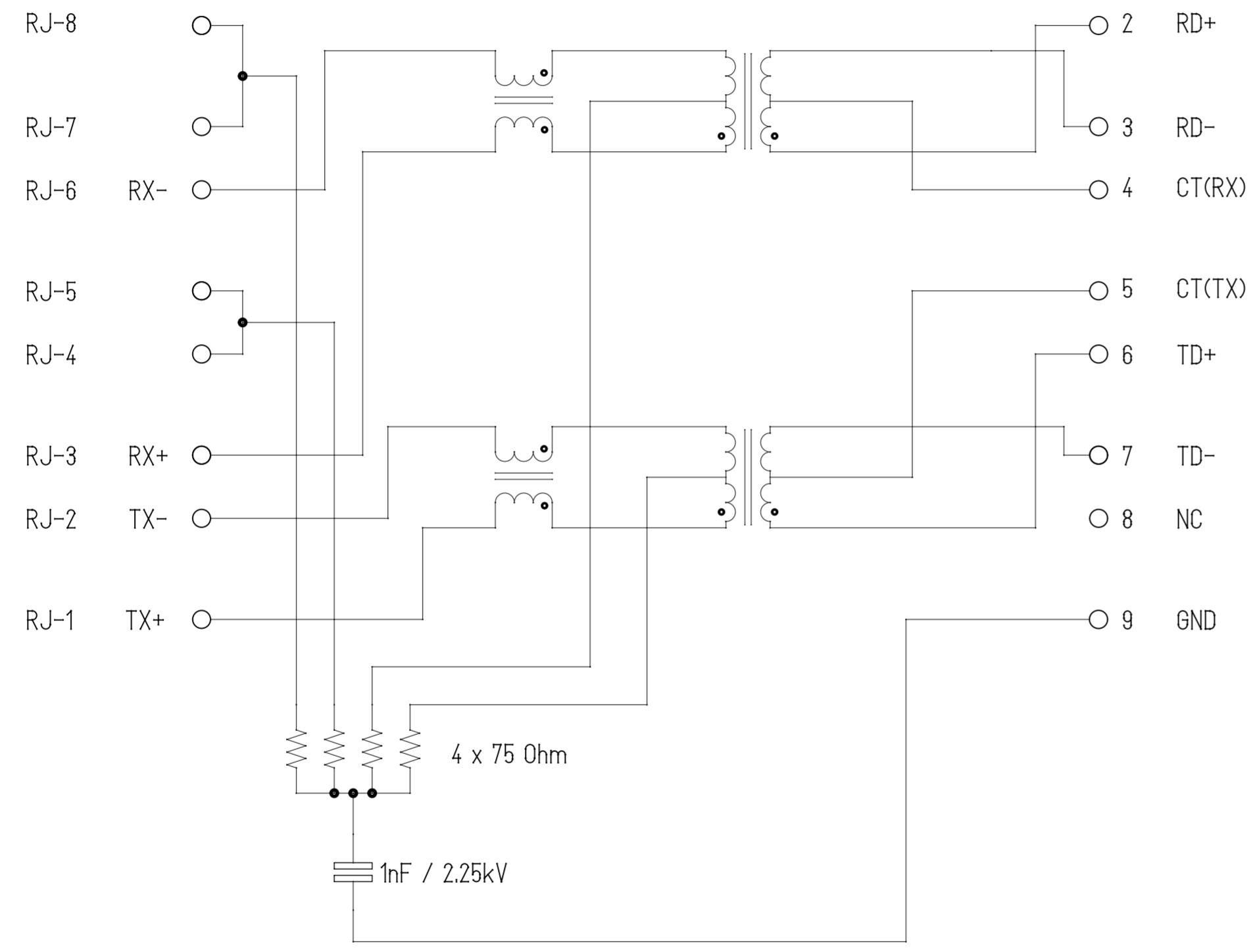
PART NUMBER	LEFT LED	RIGHT LED
93462-8320	N/A	N/A

THIS DRAWING CONTAINS INFORMATION THAT IS PROPRIETARY TO MOLEX ELECTRONIC TECHNOLOGIES, LLC AND SHOULD NOT BE USED WITHOUT WRITTEN PERMISSION													
REVISED	EC NO: 116686	2017/05/09	GENERAL TOLERANCES (UNLESS SPECIFIED)	DIMENSION UNITS	SCALE	molex INV MX-MAG 4 CORE FE W/SHIELD TABS							
	DRWN: KREILLY	2017/09/12	ANGULAR TOL ± 2.0 °	mm	5:1								
	CHKD: DSHEA	2017/09/26	4 PLACES ±	DRWN BY	DATE	KREILLY 2015/09/28							
	REV	APPR: DBYRNES	2017/09/26	3 PLACES ±	CHK'D BY	DATE	DSHEA 2017/09/12						
	B			2 PLACES ± 0.1	APPR BY	DATE	STGRIFFIN 2015/11/19						
				1 PLACE ± 0.2	DRAWING SIZE	THIRD ANGLE PROJECTION	PRODUCT CUSTOMER DRAWING						
			0 PLACES ±	A2		SERIES	MATERIAL NUMBER	CUSTOMER	GENERAL MARKET				
			DRAFT WHERE APPLICABLE MUST REMAIN WITHIN DIMENSIONS			93462	SEE TABLE		DOCUMENT NUMBER	DOC TYPE	DOC PART	SHEET NUMBER	
						934620004	PSD	000				2 OF 3	

Description	Value	
OCL @100 kHz, 0.1 V 8 mA DC bias (-40°C to +85°C)	350 μH min.	
Turns ratio	1CT:1CT	
Transmission characteristics @ 25°C, all four pairs		
Insertion Loss		
Frequency f, (MHz)	Limits (dB max.)	Typical Values (dB max.)
1.0-9.9	0.4+0.1*log(f)	0.5 @ 10 MHz
10-49.9	0.5+0.3*log(f/10)	0.7 @ 50 MHz
50-79.9	1+1.4*log(f/80)	1.0 @ 80 MHz
80-100	1.3+3*log(f/100)	1.3 @ 100 MHz
Return Loss		
Frequency f, (MHz)	Limits (dB min.)	Typical Values (dB min.)
1.0-39.9	18	18 @ 40 MHz
40-100	12-20*log(f/80)	10 @ 100 MHz
CMR		
Frequency f, (MHz)	Limits (dB min.)	Typical Values (dB min.)
1.0-100	30	30 @ 100 MHz
Next		
Frequency f, (MHz)	Limits (dB min.)	Typical Values (dB min.)
1.0-39.9	35	35 @ 40 MHz
40-100	33-20*log(f/50)	27 @ 100 MHz
Isolation PHY to wire side		
2.25 kVDC/60sec		

WIRE-SIDE / RJ-45 ETHERNET MAGNETICS PHY-SIDE / PCB SIDE

RJ-45 CONTACTS



ETHERNET TERMINALS

Shield

THIS DRAWING CONTAINS INFORMATION THAT IS PROPRIETARY TO MOLEX ELECTRONIC TECHNOLOGIES, LLC AND SHOULD NOT BE USED WITHOUT WRITTEN PERMISSION

REVISED EC NO: 116686 DRWN: KREILLY CHKD: DSHEA REV APPR: DBYRNES	2017/05/09	GENERAL TOLERANCES (UNLESS SPECIFIED)	DIMENSION UNITS	SCALE				
	2017/09/12	(UNLESS SPECIFIED)	mm	1:1				
	2017/09/26	ANGULAR TOL ± 2.0 °	DRWN BY	DATE		INV MX-MAG 4 CORE FE W/SHIELD TABS		
		4 PLACES ±	KREILLY	2015/09/28				
		3 PLACES ±	CHK'D BY	DATE				
	2 PLACES ± 0.1	DSHEA	2017/09/12					
	1 PLACE ± 0.2	APPR BY	DATE	PRODUCT CUSTOMER DRAWING				
	0 PLACES ±	STGRIFFIN	2015/11/19	SERIES	MATERIAL NUMBER	CUSTOMER		
	DRAFT WHERE APPLICABLE MUST REMAIN WITHIN DIMENSIONS	DRAWING SIZE	THIRD ANGLE PROJECTION	A2	93462	SEE TABLE ON SHEET 2	GENERAL MARKET	
					DOCUMENT NUMBER	DOC TYPE	DOC PART	SHEET NUMBER
					934620004	PSD	000	3 OF 3