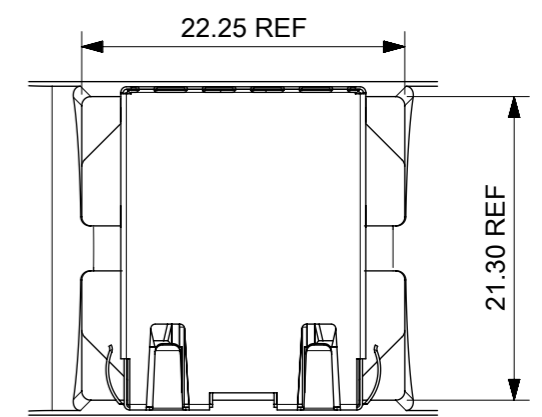
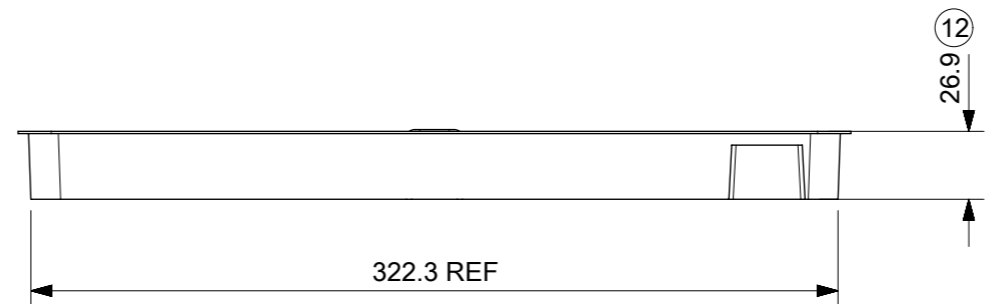
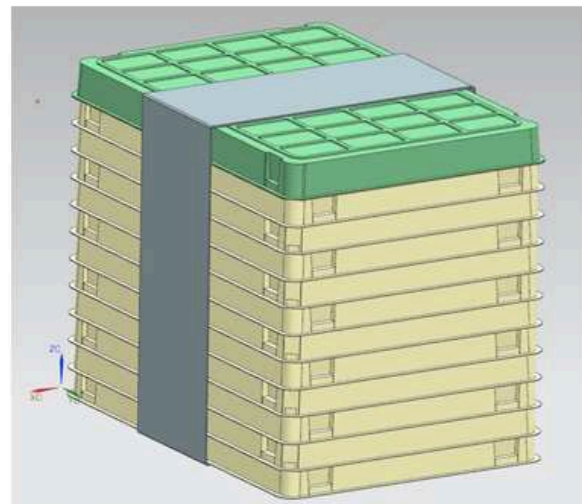
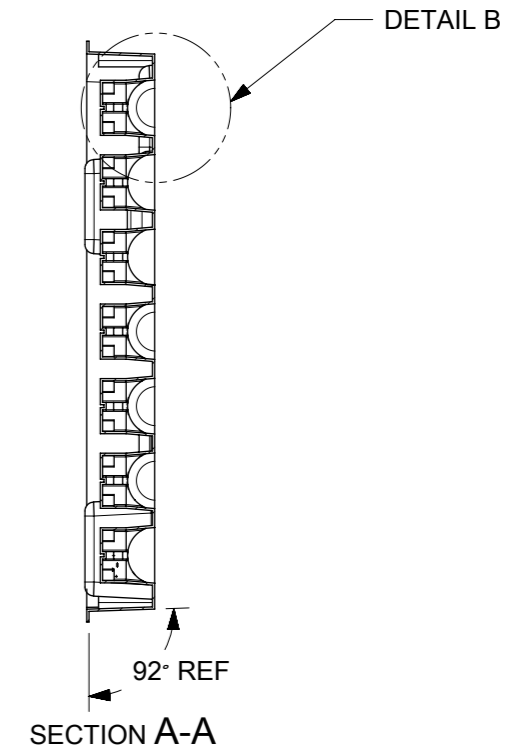
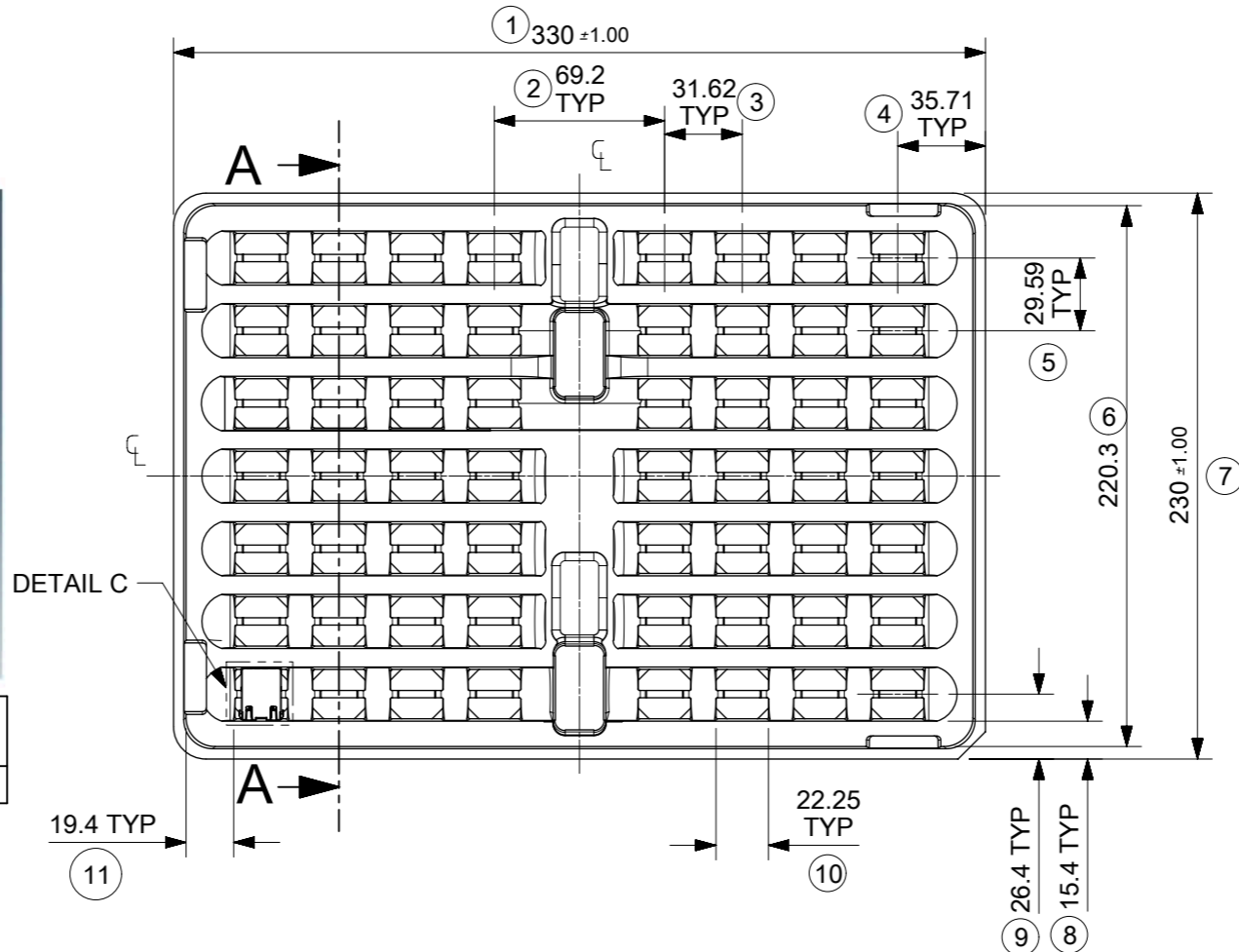


DETAIL B



DETAIL C
SCALE 2:1



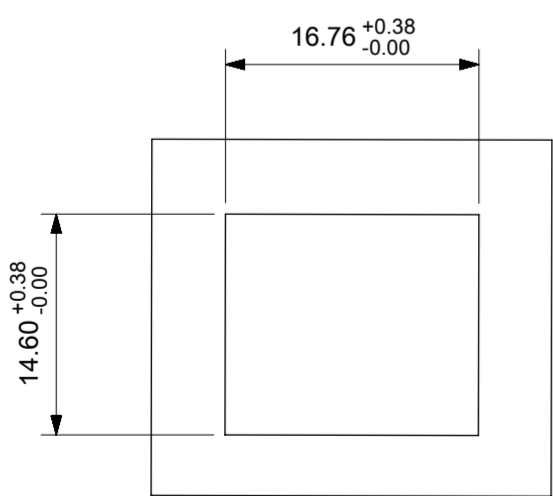
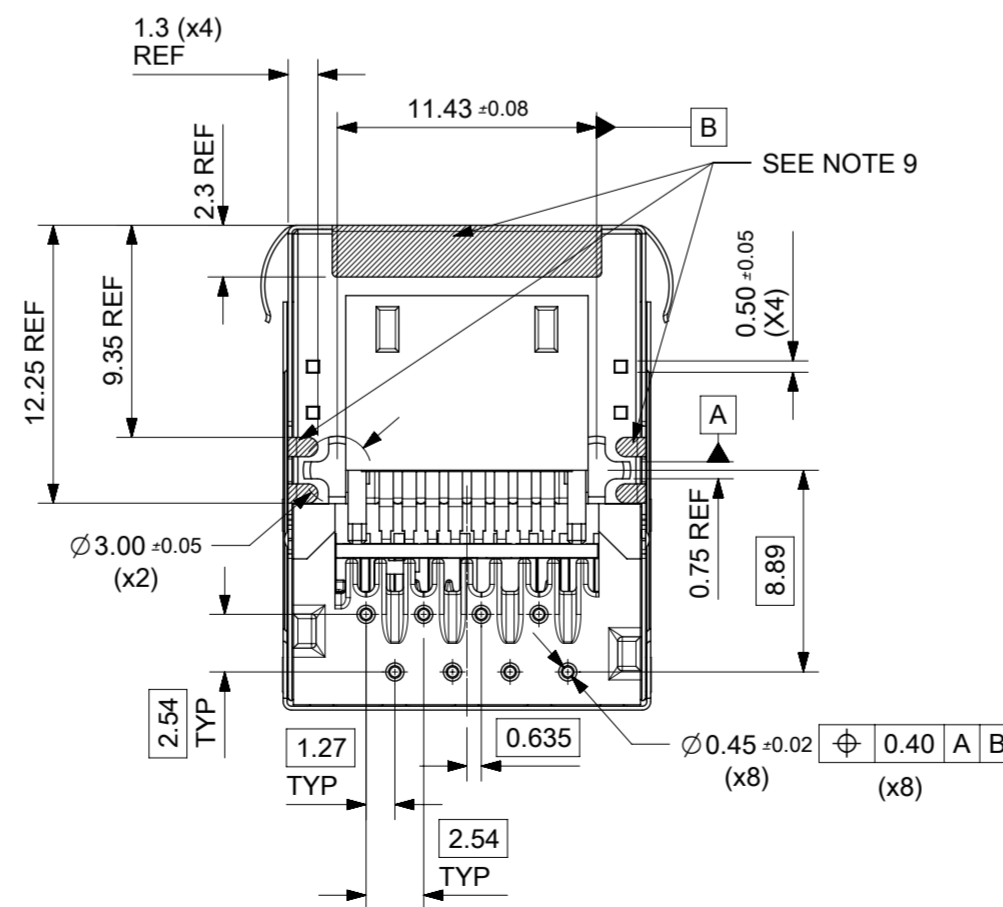
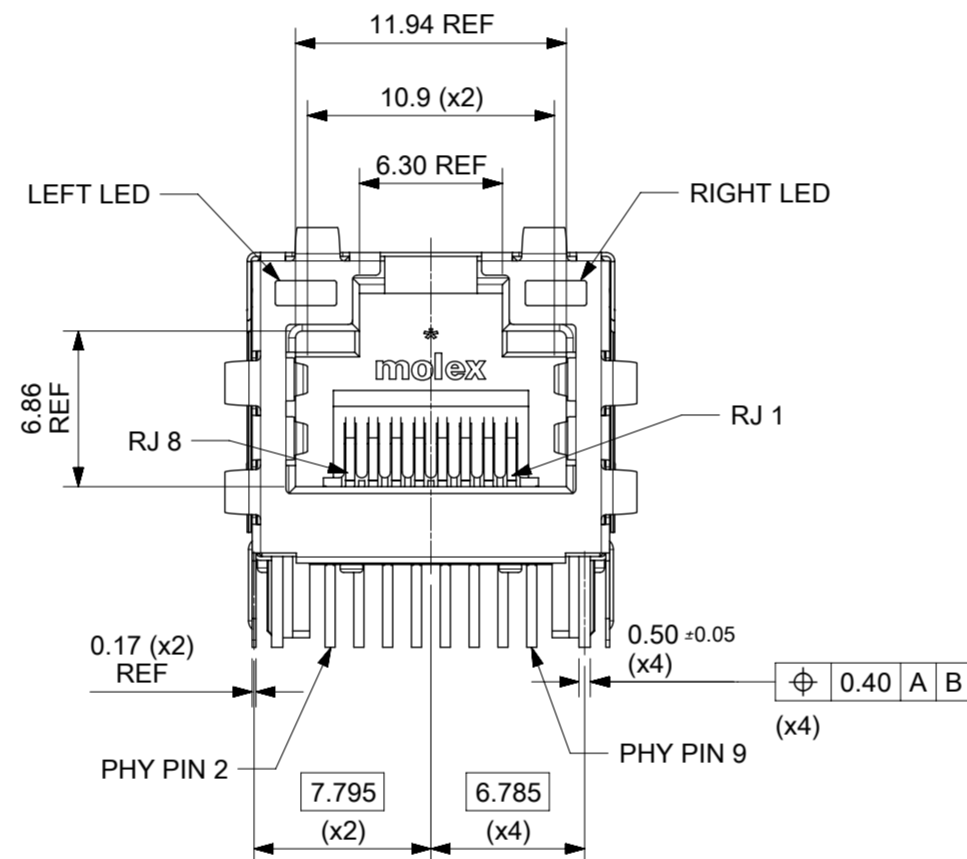
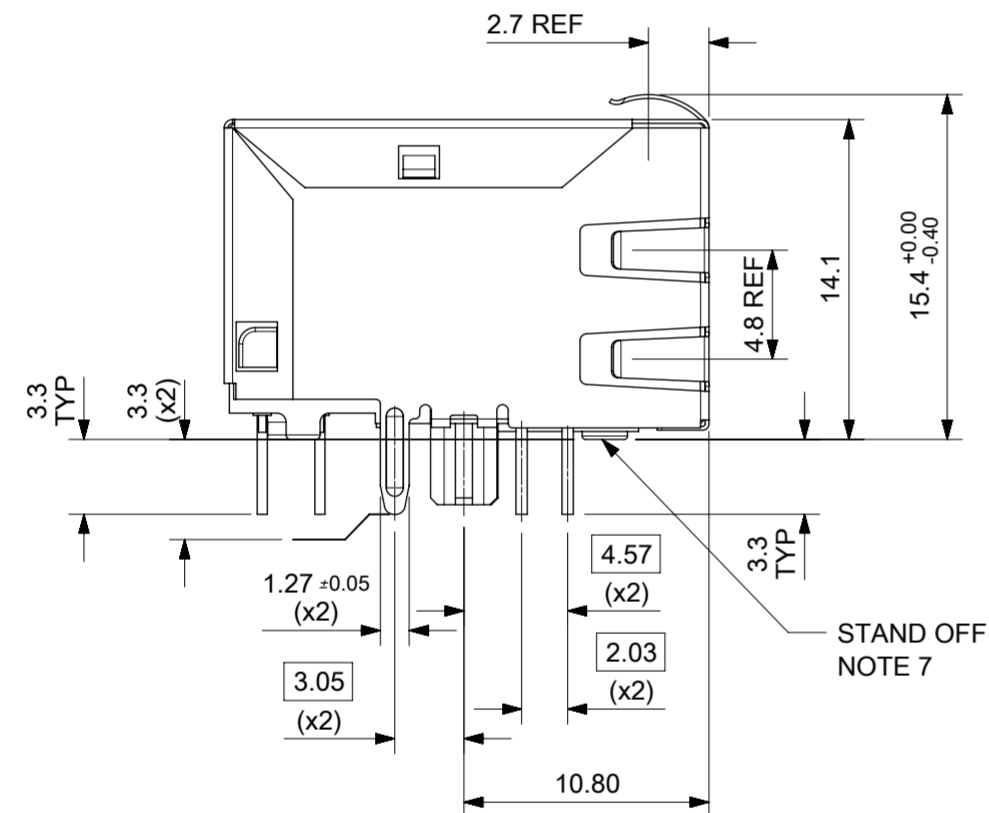
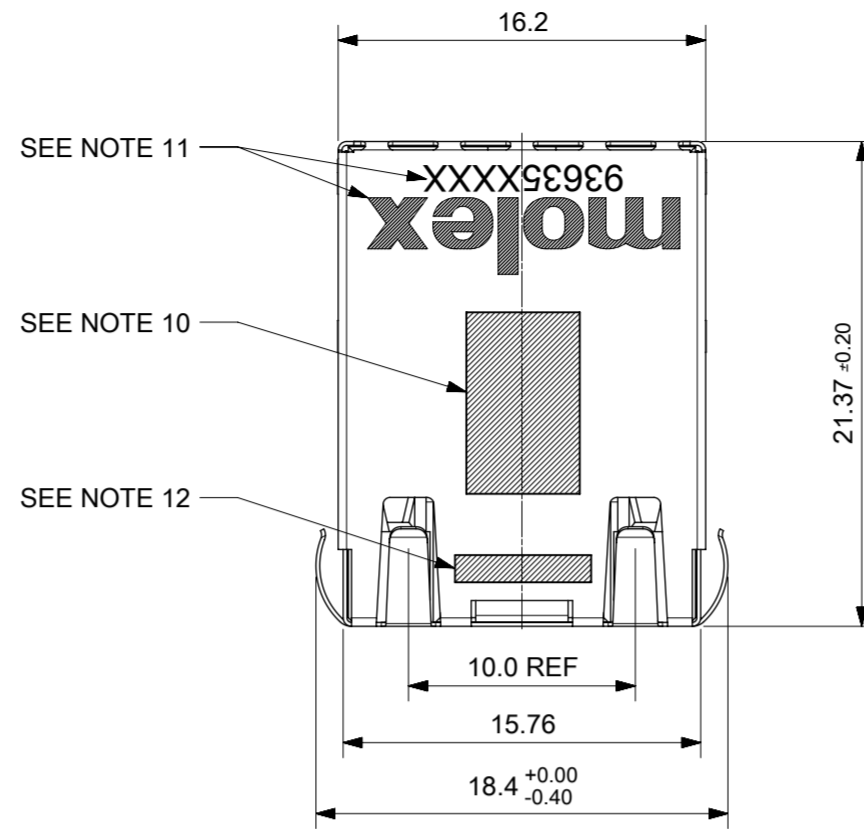
VERSION	QUANTITY PER TRAY	QUANTITY OF TRAYS PER BOX	QUANTITY PER BOX	QUANTITY PER PALLET
0.85" VERSION	56	12	672	18,144

- NOTES:
1. MATERIAL: PETA ANTISTATIC
 2. THICKNESS: 0.9mm ±0.05mm
 3. COLOUR: CLEAR
 4. BOW 2mm MAXIMUM PER 330mm
 5. TWIST 2mm MAXIMUM PER 330mm
 6. TRAY PART NO. AND RECYCLE LOGO TO BE CLEARLY MARKED ON TRAY
RECYCLE LOGO SHOULD BE APPROPRIATE TO MATERIAL USED
 7. WHERE RELEVANT, DIMENSIONS SHOULD BE SYMMETRICAL ABOUT THE CENTRELINE
 8. GENERAL PROFILE TOLERANCE $\frac{\text{M}}{0.40}$ ON NON DIMENSIONED FEATURES

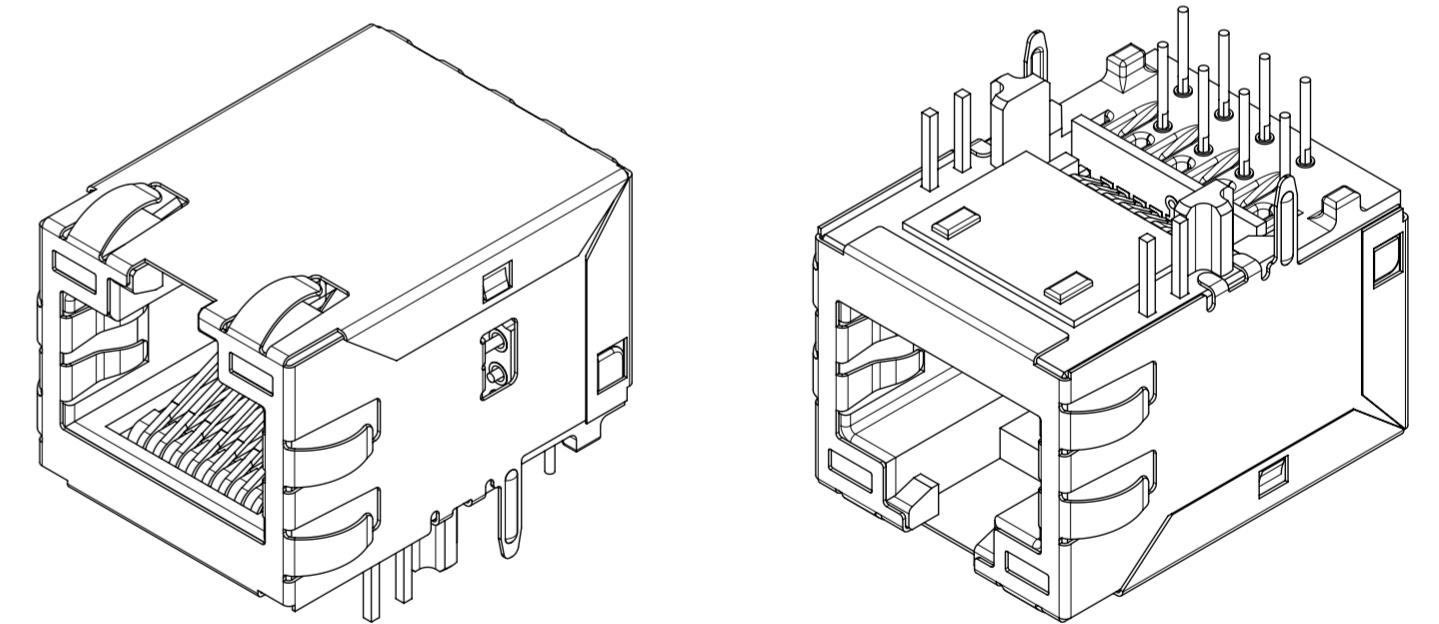
LAST INSPECTION NUMBER USED: 12

THIS DRAWING CONTAINS INFORMATION THAT IS PROPRIETARY TO MOLEX ELECTRONIC TECHNOLOGIES, LLC AND SHOULD NOT BE USED WITHOUT WRITTEN PERMISSION												
QUALITY SYMBOLS		ORIGINAL RELEASE		GENERAL TOLERANCES (UNLESS SPECIFIED)		DIMENSION UNITS		SCALE				
▽A	= 0	2016/10/04	2016/12/07	ANGULAR TOL ± 1.0 °		MM	1:3	DRWN BY DATE				
▽E	= 0	EC NO: 109024 DRWN: DALLEN01 CHK'D: DALLEN01 APPR: STGRIFFIN	REV	4 PLACES	±	A3	THIRD ANGLE PROJECTION	KREILLY 2016/05/06				
▽F	= 0			3 PLACES	±			CHK'D BY DATE				
▽	= 0			2 PLACES	± 0.2			APPR BY DATE				
▽C	= 0			1 PLACE	± 0.5			PRODUCT CUSTOMER DRAWING				
▽X	= 0			0 PLACES	±			SERIES	MATERIAL NUMBER	CUSTOMER		
▽	= 0			DRAFT WHERE APPLICABLE MUST REMAIN WITHIN DIMENSIONS				93462	990250150	GENERAL MARKET		
								DOCUMENT NUMBER		DOC TYPE	DOC PART	SHEET NUMBER
								934620003		PSD	K	1 OF 1

INVERTED PROFILE MAGNETIC JACK
FAST ETHERNET W/SHIELD TABS

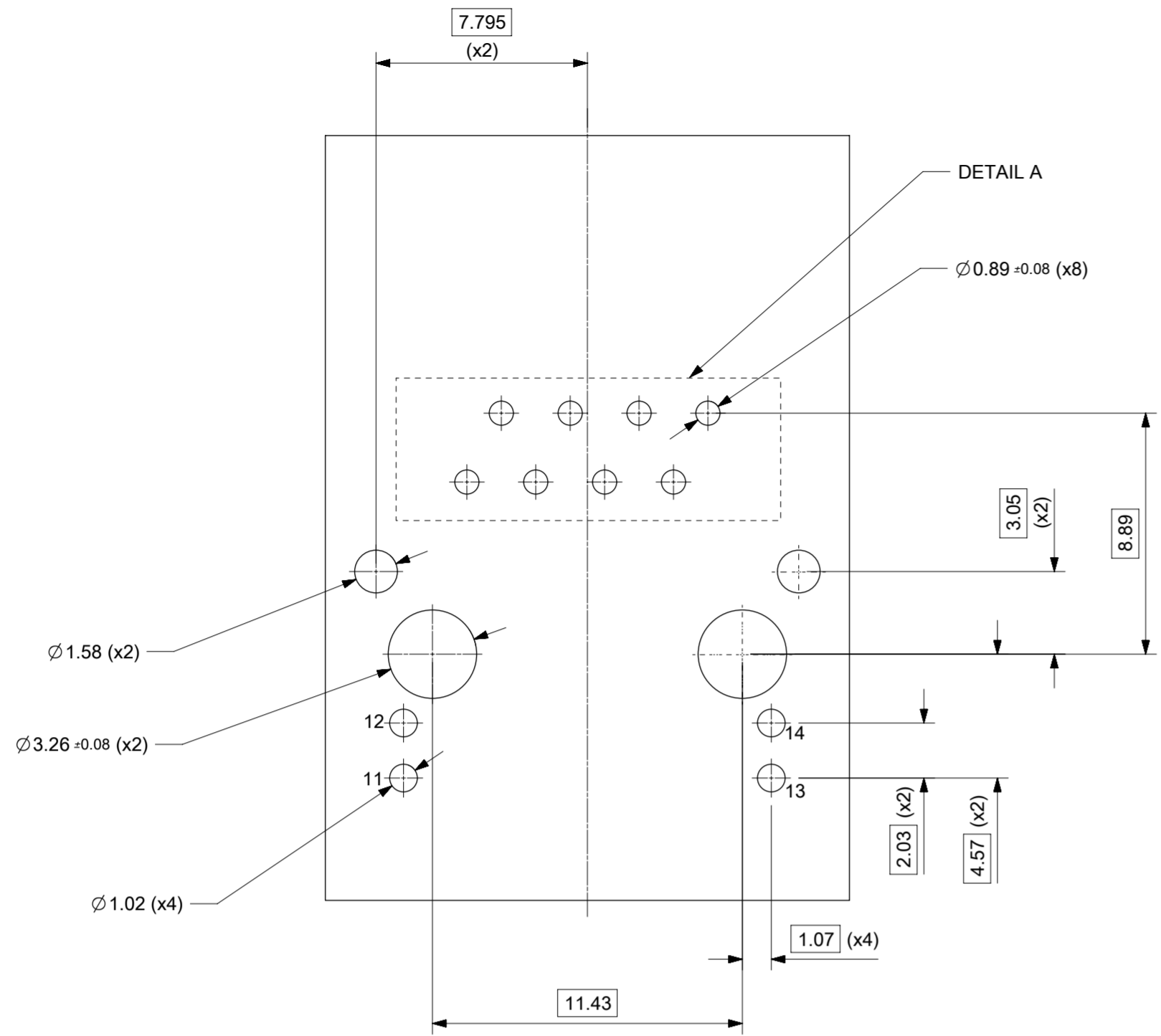


SUGGESTED PANEL CUT-OUT

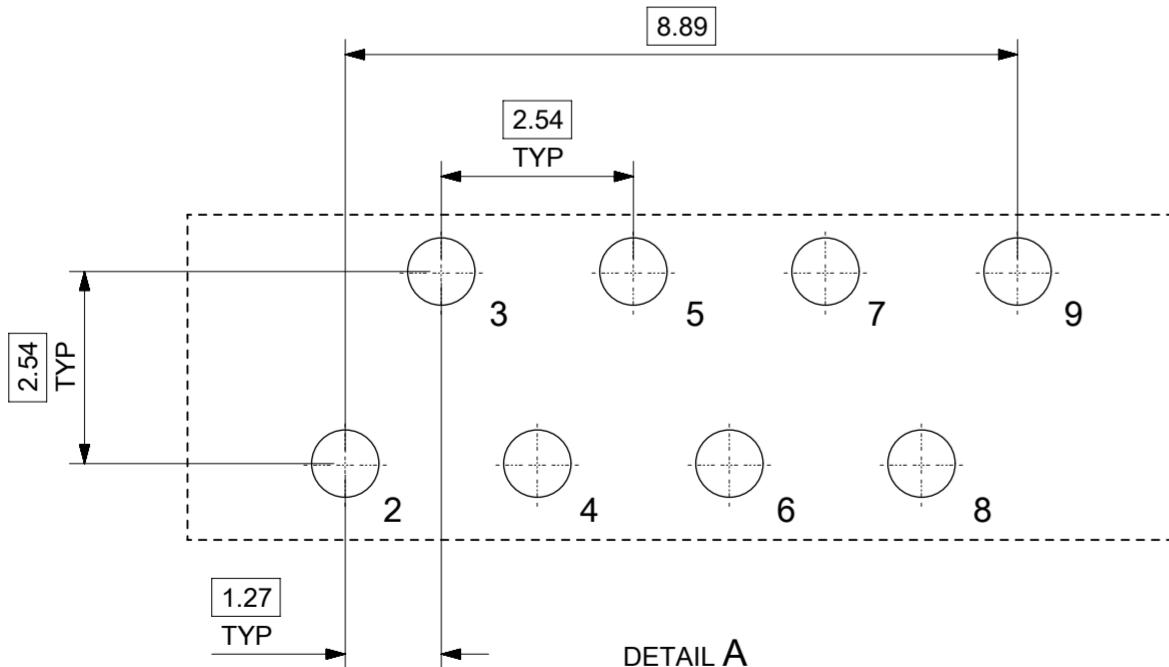


- NOTES:
- SHIELD MATERIAL: 0.17 mm THICK BRASS PRE-PLATED WITH NICKEL
SOLDER TABS POST DIPPED WITH MIN 1.27 μm TIN
 - HOUSING MATERIAL: LCP, BLACK, UL 94V-0
 - TERMINALS MATERIAL: PHOSPHOR BRONZE
RJ45 CONTACTS PLATING: BASE NICKEL PLATED WITH GOLD
FLASH OVER PALLADIUM NICKEL. REFER TO 934620001 PSP
PHY SOLDER TAILS: COPPER ALLOY
 - MATING INTERFACE ACCORDING TO IEC 60603-7 & TIA-1096-A
 - PRODUCT SPECIFICATION: 934620001 PSP
 - PACKAGING SPECIFICATION: 934620001 PSK - TRAY
 - STAND OFF TO SYSTEM BOARD 0.30 mm MIN
 - RECOMMENDED PCB THICKNESS: 1.57 mm
 - SHIELD: AVOID ROUTING TRACES
OR PLACING ANY VIAS BELOW THESE AREAS
 - AREA FOR PICK AND PLACE: 5.0 mm X 8.0 mm
 - INSCRIPTION MARKED BY LASER:
1st : MOLEX
2nd : P/N (SEE BOM)
 - INSCRIPTION MARKED BY LASER:
DATE CODE(DAY/WEEK/YEAR)
 - MATERIAL COMPLIANT TO RoHS DIRECTIVE 2002/95/EC

THIS DRAWING CONTAINS INFORMATION THAT IS PROPRIETARY TO MOLEX ELECTRONIC TECHNOLOGIES, LLC AND SHOULD NOT BE USED WITHOUT WRITTEN PERMISSION		GENERAL TOLERANCES (UNLESS SPECIFIED)		DIMENSION UNITS	SCALE	molex	
REVISIONS		ANGULAR TOL ± 2.0 °		mm	3:1		
EC NO: 116686	2017/05/09	DRWN: KREILLY	2017/09/12	DRWN BY	DATE	INV MX-MAG 6 CORE FE W/SHIELD	
CHKD: DSHEA	2017/09/26	CHKD: DSHEA	2017/09/26	CHK'D BY	DATE	PRODUCT CUSTOMER DRAWING	
APP: DBYRNES		APP: DBYRNES		APPR BY	DATE	SERIES	MATERIAL NUMBER
				STGRIFFIN	2015/11/19	93635	SEE TABLE ON SHEET 2
				DRAFT WHERE APPLICABLE MUST REMAIN WITHIN DIMENSIONS	DRAWING SIZE	THIRD ANGLE PROJECTION	CUSTOMER
				A2			GENERAL MARKET
						DOCUMENT NUMBER	DOC TYPE
						936350001	PSD
						DOC PART	SHEET NUMBER
						000	1 OF 3



SUGGESTED BOARD LAYOUT
GIGABIT VERSION
COMPONENT SIDE
ALL DIMS REFERENCE DIMS



DETAIL A
SCALE 10:1

PIN CONFIGURATION
FOR FAST ETHERNET VERSION

PART NUMBER	LEFT LED	RIGHT LED
93635-8314	YELLOW	GREEN

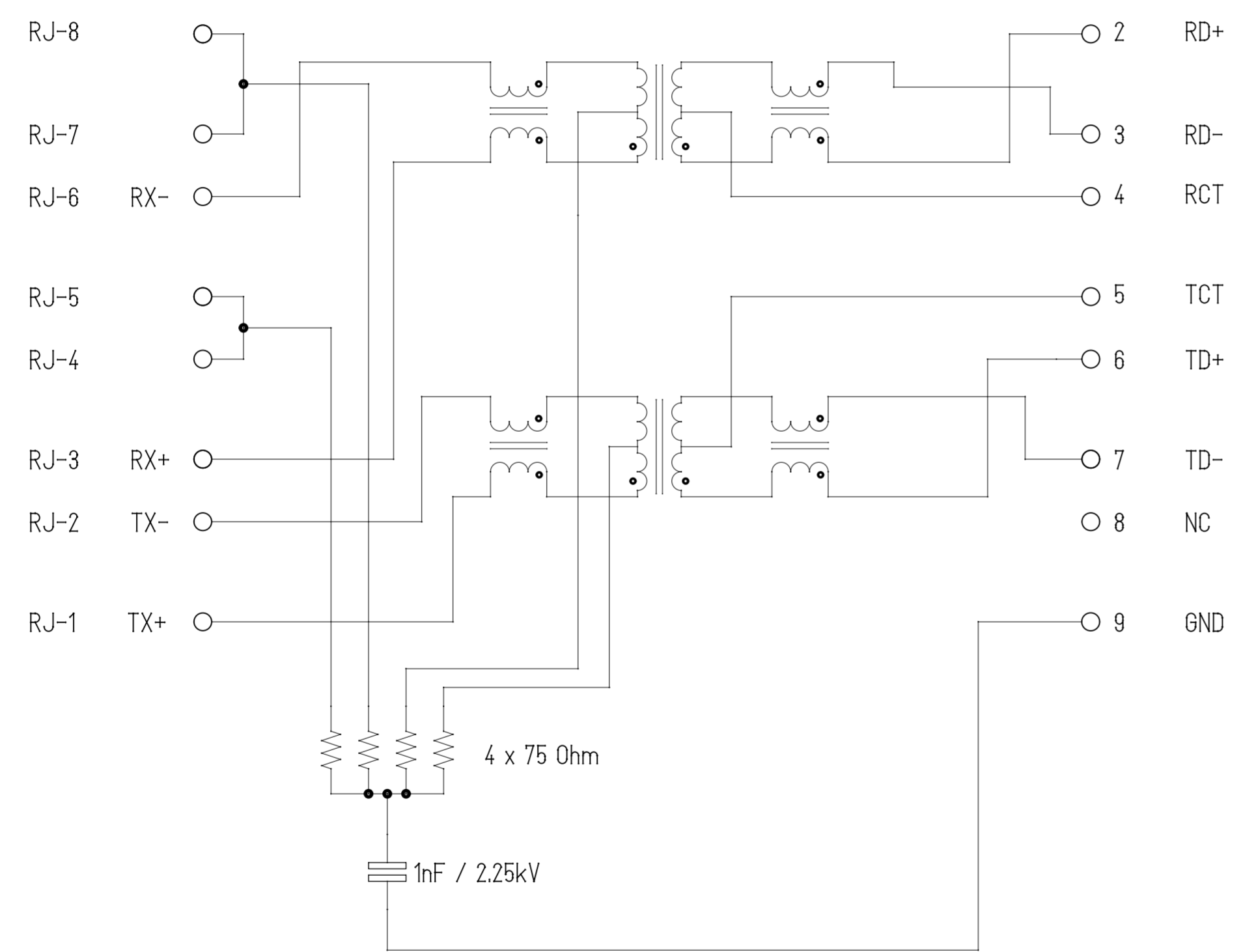
THIS DRAWING CONTAINS INFORMATION THAT IS PROPRIETARY TO MOLEX ELECTRONIC TECHNOLOGIES, LLC AND SHOULD NOT BE USED WITHOUT WRITTEN PERMISSION												
REVISED	EC NO: 116686	2017/05/09	GENERAL TOLERANCES (UNLESS SPECIFIED)	DIMENSION UNITS	SCALE	molex INV MX-MAG 6 CORE FE W/SHIELD						
	DRWN: KREILLY	2017/09/12	ANGULAR TOL ± 2.0 °	mm	5:1							
	CHKD: DSHEA	2017/09/26	4 PLACES ±	DRWN BY	DATE	PRODUCT CUSTOMER DRAWING						
	APP: DBYRNES		3 PLACES ±	KREILLY	2015/10/02	SERIES MATERIAL NUMBER CUSTOMER						
			2 PLACES ± 0.1	CHK'D BY	DATE	93635 SEE TABLE GENERAL MARKET						
		1 PLACE ± 0.2	DBYRNES	2015/09/12	DOCUMENT NUMBER DOC TYPE DOC PART SHEET NUMBER							
		0 PLACES ±	STGRIFFIN	2015/11/19	936350001 PSD 000 2 OF 3							
B	DRAFT WHERE APPLICABLE MUST REMAIN WITHIN DIMENSIONS		DRAWING SIZE	THIRD ANGLE PROJECTION								
			A2									

RJ-45 CONTACTS

WIRE-SIDE / RJ-45

ETHERNET MAGNETICS

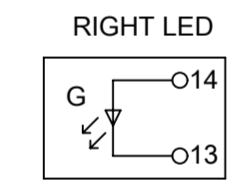
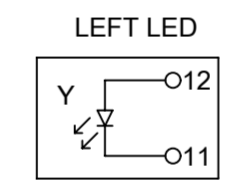
PHY-SIDE / PCB SIDE



Shield

ETHERNET TERMINALS

Description	Value	
OCL @100 kHz, 0.1 V 8 mA DC bias (-40°C to +85°C)	350 µH min.	
Turns ratio	1CT:1CT	
Transmission characteristics @ 25°C, all four pairs		
Insertion Loss		
Frequency f, (MHz)	Limits (dB max.)	Typical Values (dB max.)
1.0-9.9	0.4+0.1*log(f)	0.5 @ 10 MHz
10-49.9	0.5+0.3*log(f/10)	0.7 @ 50 MHz
50-79.9	1+1.4*log(f/80)	1.0 @ 80 MHz
80-100	1.3+3*log(f/100)	1.3 @ 100 MHz
Return Loss		
Frequency f, (MHz)	Limits (dB min.)	Typical Values (dB min.)
1.0-39.9	18	18 @ 40 MHz
40-100	12-20*log(f/80)	10 @ 100 MHz
CMR		
Frequency f, (MHz)	Limits (dB min.)	Typical Values (dB min.)
1.0-100	30	30 @ 100 MHz
Next		
Frequency f, (MHz)	Limits (dB min.)	Typical Values (dB min.)
1.0-39.9	35	35 @ 40 MHz
40-100	33-20*log(f/50)	27 @ 100 MHz
Isolation PHY to wire side	2.25 kVDC/60sec	



THIS DRAWING CONTAINS INFORMATION THAT IS PROPRIETARY TO MOLEX ELECTRONIC TECHNOLOGIES, LLC AND SHOULD NOT BE USED WITHOUT WRITTEN PERMISSION

REVISED EC NO: 116686 DRWN: KREILLY CHKD: DSHEA REV APPR: DBYRNES	2017/05/09	GENERAL TOLERANCES (UNLESS SPECIFIED)	DIMENSION UNITS	SCALE	molex INV MX-MAG 6 CORE FE W/SHIELD		
	2017/09/12	(UNLESS SPECIFIED)	mm	1:1			
	2017/09/26	ANGULAR TOL ± 2.0 °	DRWN BY	DATE	PRODUCT CUSTOMER DRAWING		
		4 PLACES ±	KREILLY	2015/10/02			
		3 PLACES ±	CHK'D BY	DATE	SERIES MATERIAL NUMBER CUSTOMER		
	2 PLACES ± 0.1	DBYRNES	2015/09/12	93635 SEE TABLE ON SHEET 2 GENERAL MARKET			
	1 PLACE ± 0.2	APPR BY	DATE	DOCUMENT NUMBER DOC TYPE DOC PART SHEET NUMBER			
	0 PLACES ±	STGRIFFIN	2015/11/19				936350001 PSD 000 3 OF 3
	DRAFT WHERE APPLICABLE MUST REMAIN WITHIN DIMENSIONS	DRAWING SIZE	THIRD ANGLE PROJECTION				
		A2					