



pui
audio™ inc
a projects unlimited company

APS3008S-R Piezo Speaker

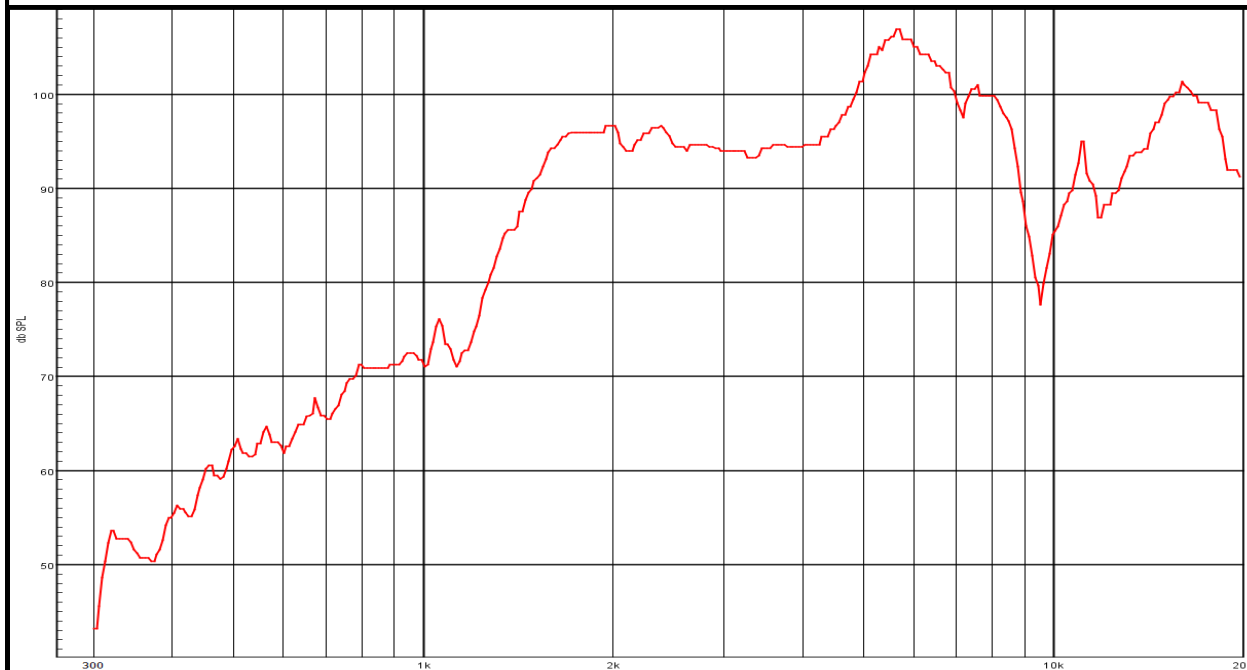
3541 Stop Eight Road • Dayton, Ohio 45414

Product Overview

- 30 x 20 mm speaker built using a piezo ceramic for minimum current draw
- Designed to work with signals as high as 16Vp-p
- Only 2 mm thick for slim devices that need high output
- Protective stainless steel housing and grill

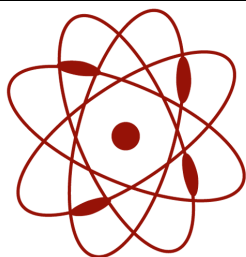


Frequency Response (5Vrms @ 10 cm)



An Initiative of the EICC and GeSI



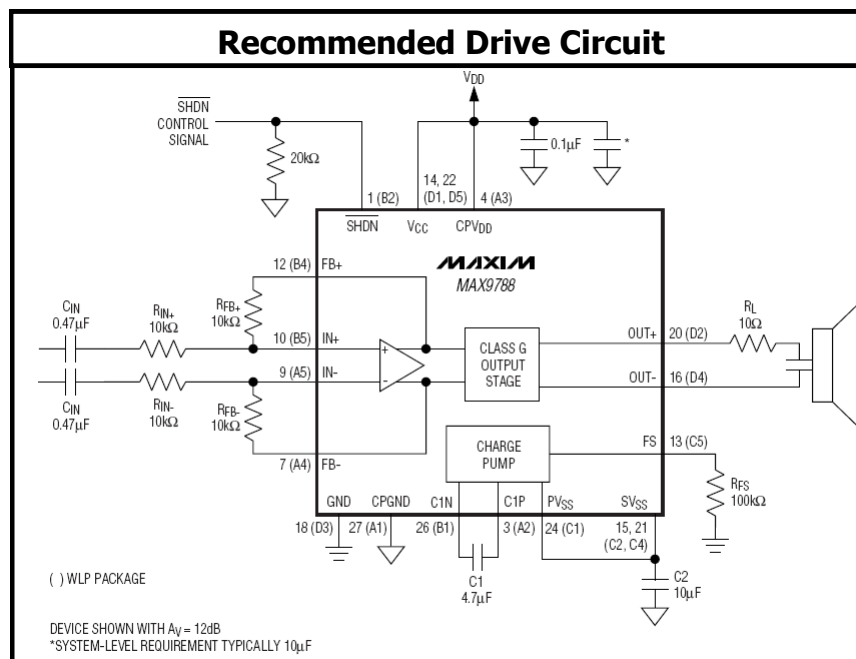


pui
audio™ inc
a projects unlimited company

APS3008S-R Piezo Speaker

Mechanical and Environment Testing	
Test Description	Test Condition
High Temperature	85°C with random humidity for 240 hours
Low Temperature	-30°C with random humidity for 240 hours
Humidity	60°C with 90% to 95% relative humidity for 240 hours
Vibration	1.5 mm movement modulated at 10 to 55 Hz for 2 hours
Drop Test	150 cm free fall while in 150g jig, 3 cycles per side
Temperature Cycle Test	-30°C for 30 minutes to 85°C for 30 minutes, 20 cycles

After 4 hours at rest, resonant frequency shall be $\pm 10\%$ of original value with capacitance $\pm 20\%$ of original value.



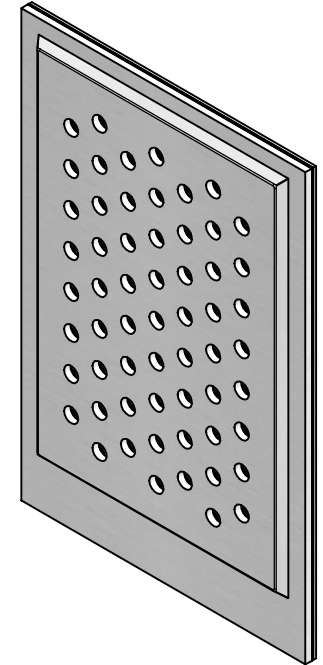
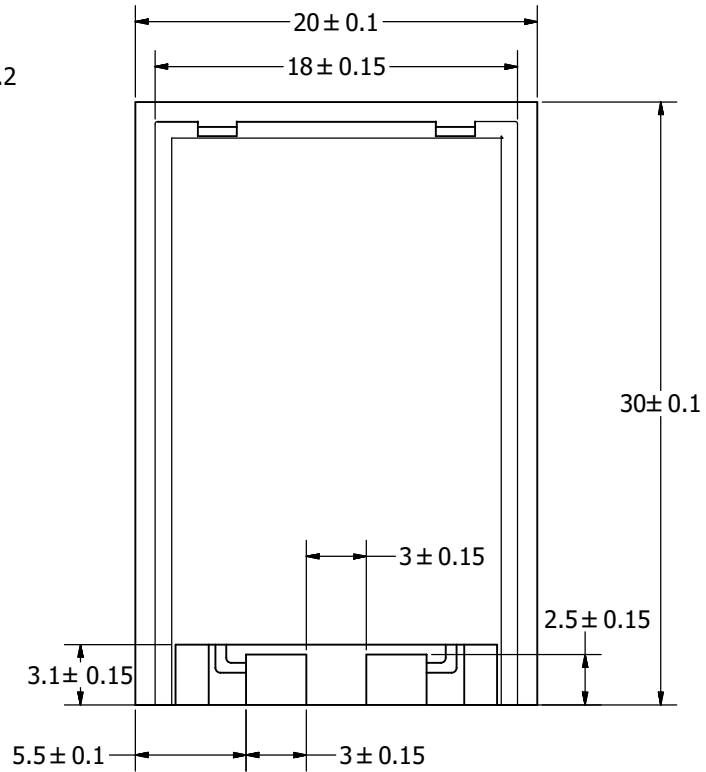
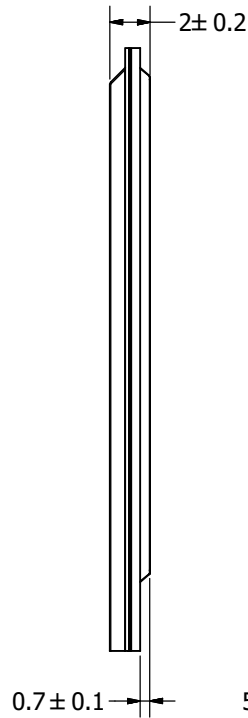
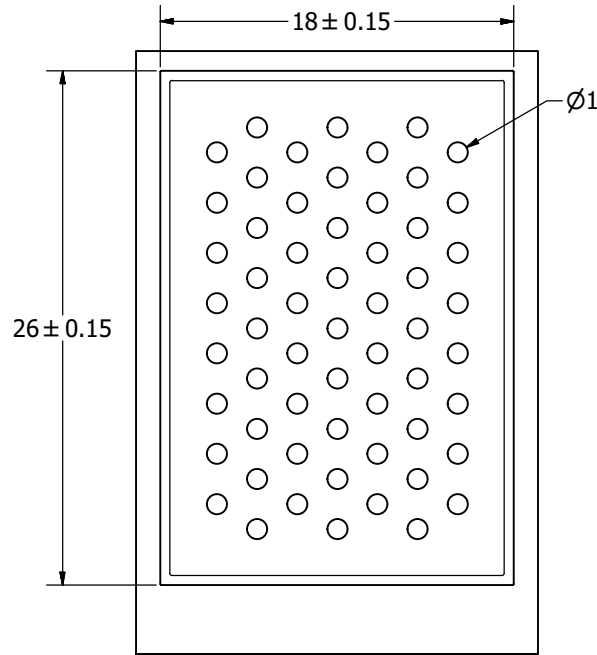
SPECIFICATIONS

PARAMETERS	VALUES	UNITS
RATED INPUT VOLTAGE	5	Vrms
MAX INPUT POWER	16	Vp-p
MINIMUM OUTPUT SPL @ 5Vrms/10CM (AT 1.0, 1.5, 2.0, 2.5 kHz)	80	dB
RESONANT FREQUENCY	800 ± 12.5%	Hz
FREQUENCY RANGE	300 ~ 20,000	Hz
HOUSING MATERIAL	STAINLESS STEEL	-
OPERATING TEMPERATURE	-20 ~ +70	°C
WEIGHT	2.5	grams

THIS DOCUMENT CONTAINS DATA PROPRIETARY TO PROJECTS UNLIMITED, INC. ANY USE OR REPRODUCTION, IN ANY FORM, WITHOUT PRIOR WRITTEN PERMISSION OF PROJECTS UNLIMITED, INC. IS PROHIBITED.
©2003, Projects Unlimited Inc.

REVISION HISTORY

LTR	DESCRIPTION	DATE	APPROVED
-	RELEASED FROM ENGINEERING	1/17/2012	
A	REVISED CONTACT PAD LAYOUT	10/27/2012	B.R.
B	UPDATED PART THICKNESS	1/12/2016	B.R.



NOTES:

1. ALL DIMENSIONS ARE IN MILLIMETERS.
2. SPECIFICATIONS SUBJECT TO CHANGE OR WITHDRAWAL WITHOUT NOTICE.
3. THIS PART IS RoHS 2002/95/EC COMPLIANT.

UNLESS OTHERWISE SPECIFIED: DIMENSIONS ARE IN MILLIMETERS, TOLERANCES ARE ±0.5 AND ANGLES ARE ±3°.	SIZE	Designed by	Date	Checked by	Date	Approved by	Date	Drawn Date	
	A3	B.M.	10/25/2012	M.L.	10/25/2012	B.R.	10/25/2012	10/25/2012	
AP3008S-R.idw		pui audio a projects unlimited company			APS3008S-R Speaker			Edition -	Sheet 1 / 1