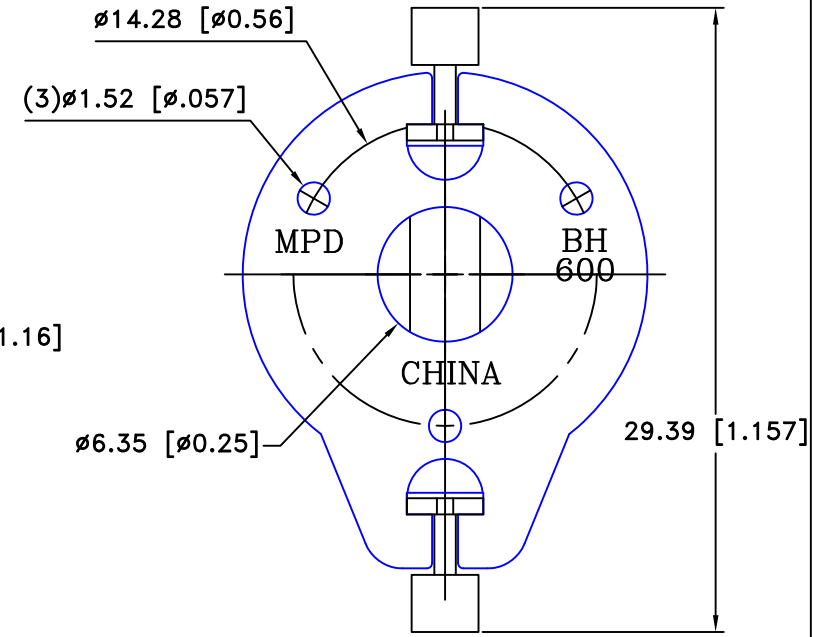
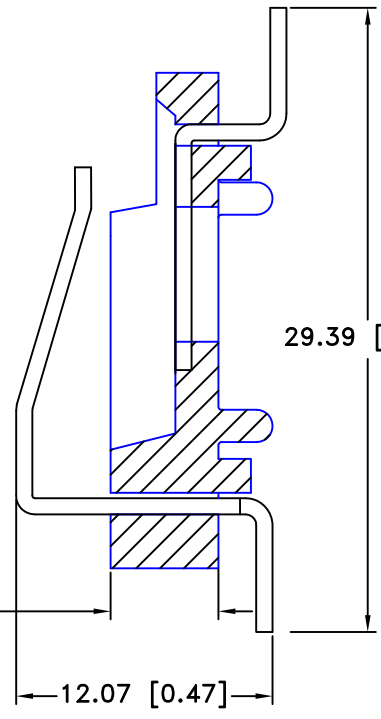
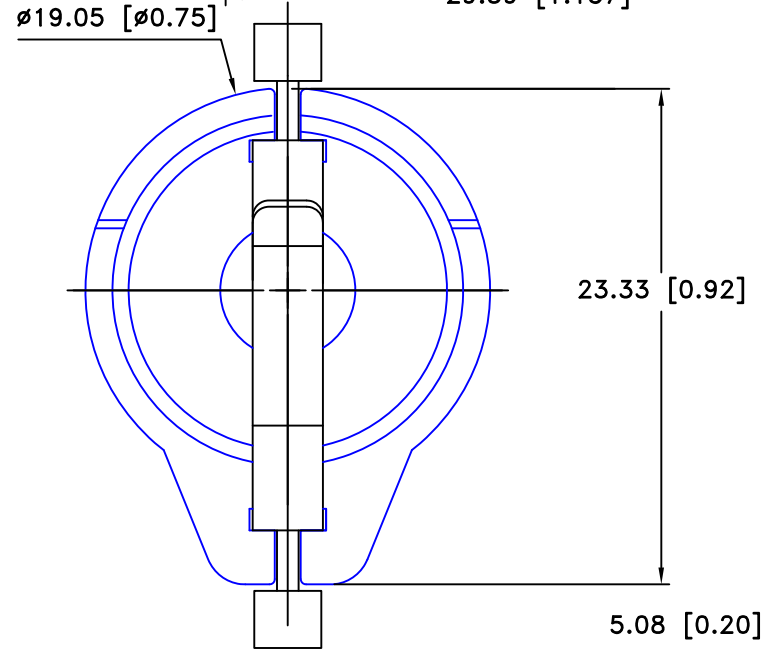



Date	SYM	REVISION RECORD	AUTH	DR.	CK.
1/12/08	B	UPDATED SPECIFICATIONS	T.B.	B.S.	
11/07/14	C	UPDATED TO ROHS 2 COMPLAINT	T.B.	B.S.	



SPECIFICATIONS

- *Holder material—Nylon 46, 30% Glass Filled, GREY
 - *Flammability rating—UL94V—HB, UL File No. E47960
 - *Contacts—302 spring temper stainless steel with Gold Flash Plating overall
 - *Dielectric strength—560volts/mil at 25°C for 5seconds
 - *Temperature range— -40°C to +260°C
 - *Resistance to solvents—Xylene,ethyl,butyl,methyl&proptl alcohol;ethyl acetate,heptane;toluene;refrigerant
- ROHS 2 COMPLIANT

Tolerance (Except as noted)	 Memory protection Devices, Inc 200 Broad Hollow Road, Farmingdale, New York 11735		
		decimal $\pm .5$ (.020)	Scale
Fractional $\pm .8$ (.030)	Title 16mm DIA. x 5.8mm THICK COIN CELL HOLDER		
Angular $\pm 3^\circ$	Date 11/07/14	Drawing Number BH600SM-5.8-G	
		Approved By T.B.	