

## SUMMARY



### # Wires

Low	0
High	0
Coax	0
Triax	0
Quad	0
Fiber	0
Fluidic	0

### Download

[Request a quote](#)

[Catalog](#)

Series	1K
Termination type	No contacts / Accessory
IP rating	68
Cable Ø	0.00 - 0.00 mm
Matching parts	xxx

## TECHNICAL DETAILS

### Mechanics

Shell Style/Model	BRE*: Cap for receptacle
Keying	No keying
Housing Material	Brass (nickel plated) shell, collet nut, latch sleeve and mid pieces
Cable Fixing	∅0 - 0 mm
Variant	

### Performance

Configuration
Insulator
Rated Current

### Others

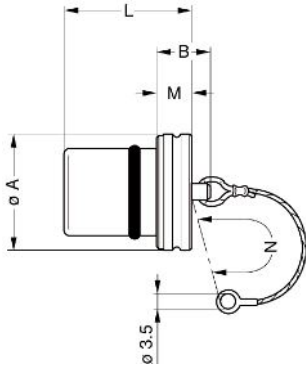
Endurance (Shell): 5000 mating cycles
Temp (min / max): -55°C / +200°C
Humidity (max): ≤95% [at 60 deg C / 140 F]
Vibration: 15 g [10 Hz - 2000 Hz]
Shock Resistance: 100 g [ 6 ms]

Salt Spray Corrosion: >1000 hr  
Climatical Category: 50/175/21  
Shielding (min): 95 dB (10 MHz)  
Shielding (min): 80 dB (1 GHz)  
IP Rating: 68

---

## DRAWINGS

### Draws



### Dimensions

	A	B	L	M	N
mm.	17	12	20	6	85
in.	0,67	0,47	0,79	0,24	3,35

---

## RECOMMENDED BY LEMO

### Tools

None

### Cables