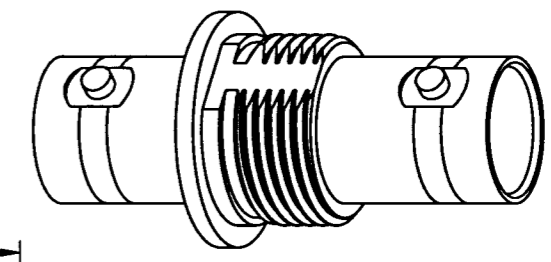


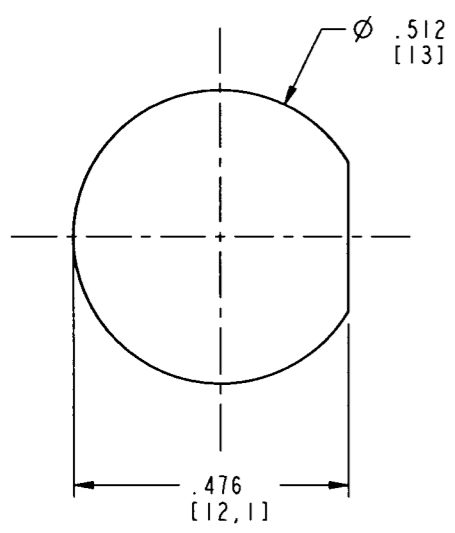
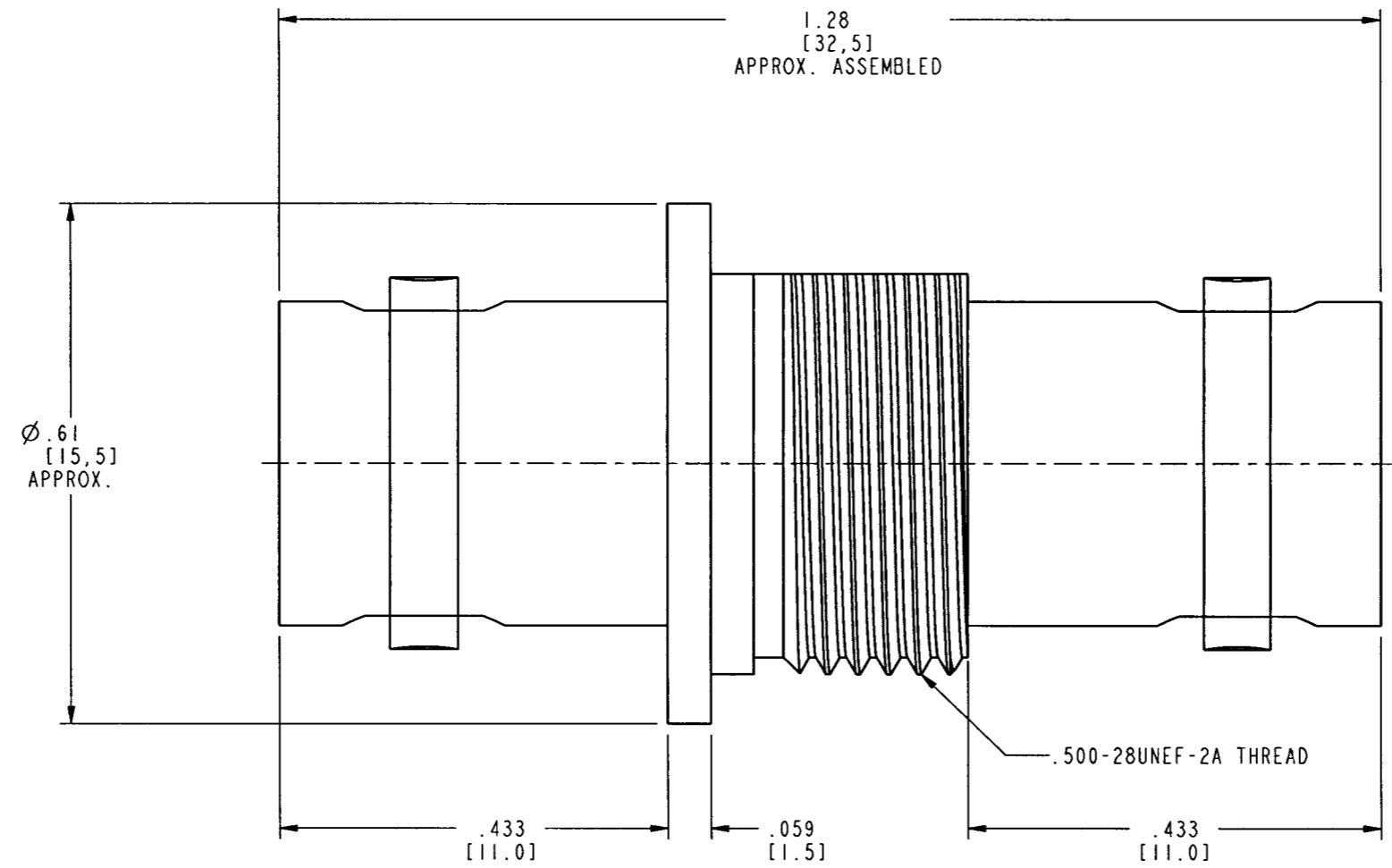
31-220N-75RFXB		REVISIONS			
DRAWING NO.	REV	DESCRIPTION	DATE	ECO	APPR
THIRD ANGLE PROJ.	A	RELEASE TO MFG.	4/13/00	43290	CPM

NOTES:

- MATERIALS OF CONSTRUCTION:
 BODY = BRASS, NICKEL PLATED
 INSULATOR = DELRIN
 CONTACT = PHOSPHOR BRONZE, GOLD PLATED
- BULKPACK 10 CONNECTORS PER BAG.



SCALE 2.000



RECOMMENDED
MOUNTING HOLE DIM'S
SCALE 3.000

**CUSTOMER OUTLINE DRAWING
FOR REFERENCE ONLY**

UNLESS OTHERWISE SPECIFIED, DIMENSIONS ARE IN INCHES AND TOLERANCES ARE: 0.5 - 6mm ±0.2mm 6 - 30mm ±0.4mm 30 - 120mm ± 0.6mm	MATERIAL	DRAWN C. McGRATH	DATE 20-Mar-00	TITLE BNC F-F 75 OHM BULKHEAD ADAPTER NO GASKET SEAL BULKPACK 10 PCS.	Amphenol Amphenol Corporation Communication and Network Products Division Danbury, CT U.S.A. 06810
	REFERENCE EAR 967479-0	ENGINEER T. AUBIN	DATE 20-Mar-00		
NOTICE - These drawings, specifications, or other data (1) are, and remain the property of Amphenol Corp. (2) must be returned upon request; and (3) are confidential and not to be disclosed to any person other than those to whom they are given by Amphenol Corp. The furnishing of these drawings, specifications, or other data by Amphenol Corp., or to any other person to anyone for any purpose is not to be regarded by implication or otherwise in any manner licensing, granting rights or permitting such holder or any other person to manufacture, use or sell any product, process or design, patented or otherwise, that may in any way be related to or disclosed by said drawings, specifications, or other data.		APPROVED	DATE	CODE ID 74868	DWG SIZE B
					DRAWING NO. 31-220N-75RFXB