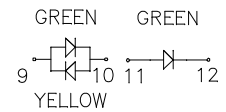
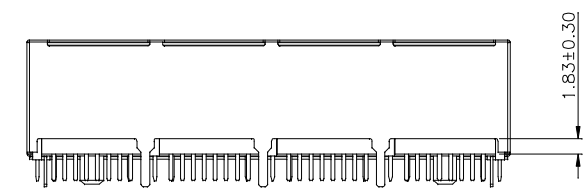
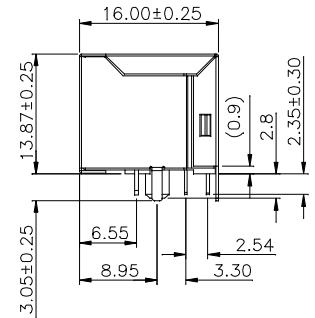
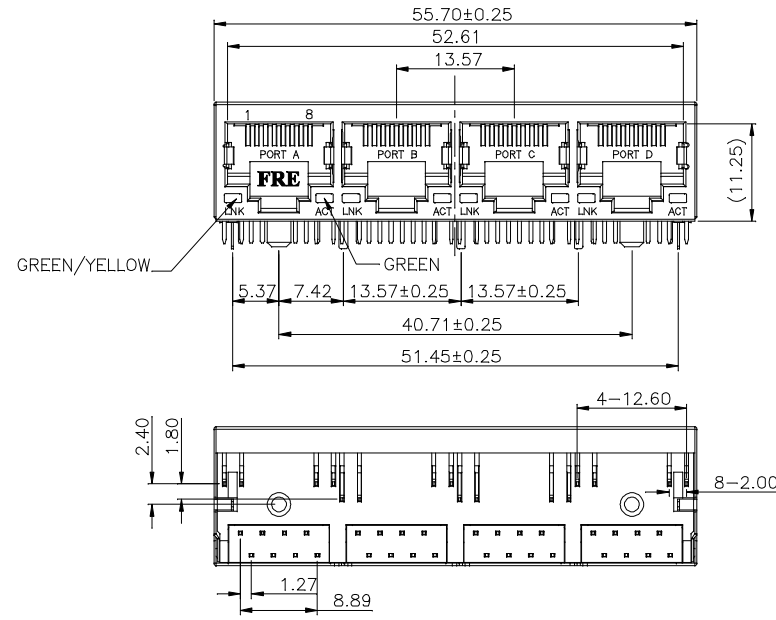
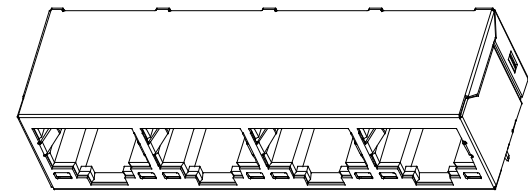
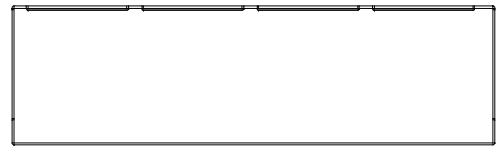
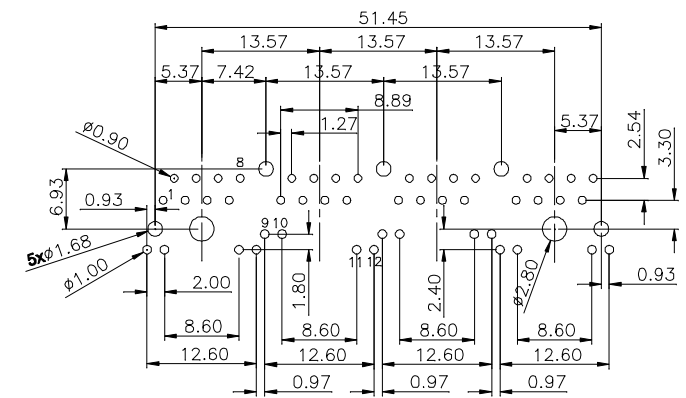


REVISION RECORD		
REV	DESCRIPTION	DRFT
10	NEW RELEASE	Ashely 11/23/09
11	DIELECTRIC STRENGTH CHANGE	Alice 03/05/12



LED COLOR DISPLAY



PC Board Layout Component Side Shown(1.6mm)

- NOTES:
- ELECTRICAL:**
- VOLTAGE RATING : 125 VAC RMS .
 - CURRENT RATING : 1.5 AMP .
 - CONTACT RESISTANCE : 45 MILLIOHMS MAX.
 - INSULATION RESISTANCE : 1000 MEGOHMS MIN @ 500 VDC.
 - DIELECTRIC STRENGTH : 1500 VAC RMS 60HZ, 1MIN. BETWEEN TERMINALS TO GROUND

- MECHANICAL:**
- HOUSING MATERIAL : NYLON+30 GF. UL94V-0. COLOR-BLACK.
 - INSERT MATERIAL : NYLON+30 GF. UL94V-0. COLOR-BLACK.
 - CONTACT MATERIAL : PHOSPHOR BRONZE t=0.35 mm.
: GOLD PLATING OVER NICKEL.
 - SHIELD MATERIAL : COPPER ALLOY
PLATED NI
 - OPERATING LIFE: 750 CYCLES MIN.

- ENVIRONMENTAL:**
- STORAGE: -40° C TO +85° C.
 - OPERATION: -40° C TO +85° C.
 - WAVE SOLDERING TEMPERATURE: 255~265° C (5~10 SECONDS)
 - MATING/UNMATING FORCE : 2.27 KG (ABOUT 5 LBS) CAN BE MET FOR MATING.
: 2.27 KG SHOULD BE OK FOR UN-MATING.
 - RETENTION STRENGTH : 11 LBSFOR FOUR DIRECTION(RIGHT, LEFT, UP AND DOWN),
BETWEEN PLUG AND JACK.

MATES WITH MODULAR PLUG CONFORMING TO
FCC PART 68, SUBPART F.
CUL FILE NO. E163191

PART NUMBER	REV.	PLATING	GOLD
E5J88-032-01-L	A	15u"	

MM (INCH)		DFTO Ashely	DATE 10/22/08	Pulse Electronics		RoHS Compliant	
TOLERANCES EXCEPT AS NOTED		CHKD SIX	DATE 03/05/12	TITLE latch down Connector, 1x4 led jack			
.0 ± 0.20	±	APPVILUSHENG	DATE 03/05/12	DRAWING NO. E5J88-032-XX-L		SIZE	REV
.00 ± 0.15	±	MATERIAL :		/PART NO. E5J88-032-XX-L		A3	11
.000 ± 0.075	±	ANGLES ± 0.5°	QTY :	DO NOT SCALE DRAWING		SHEET	OF
THIRD ANGLE PROJECTION		FINISH :	SCALE : 20:13			1	1