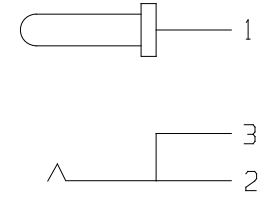
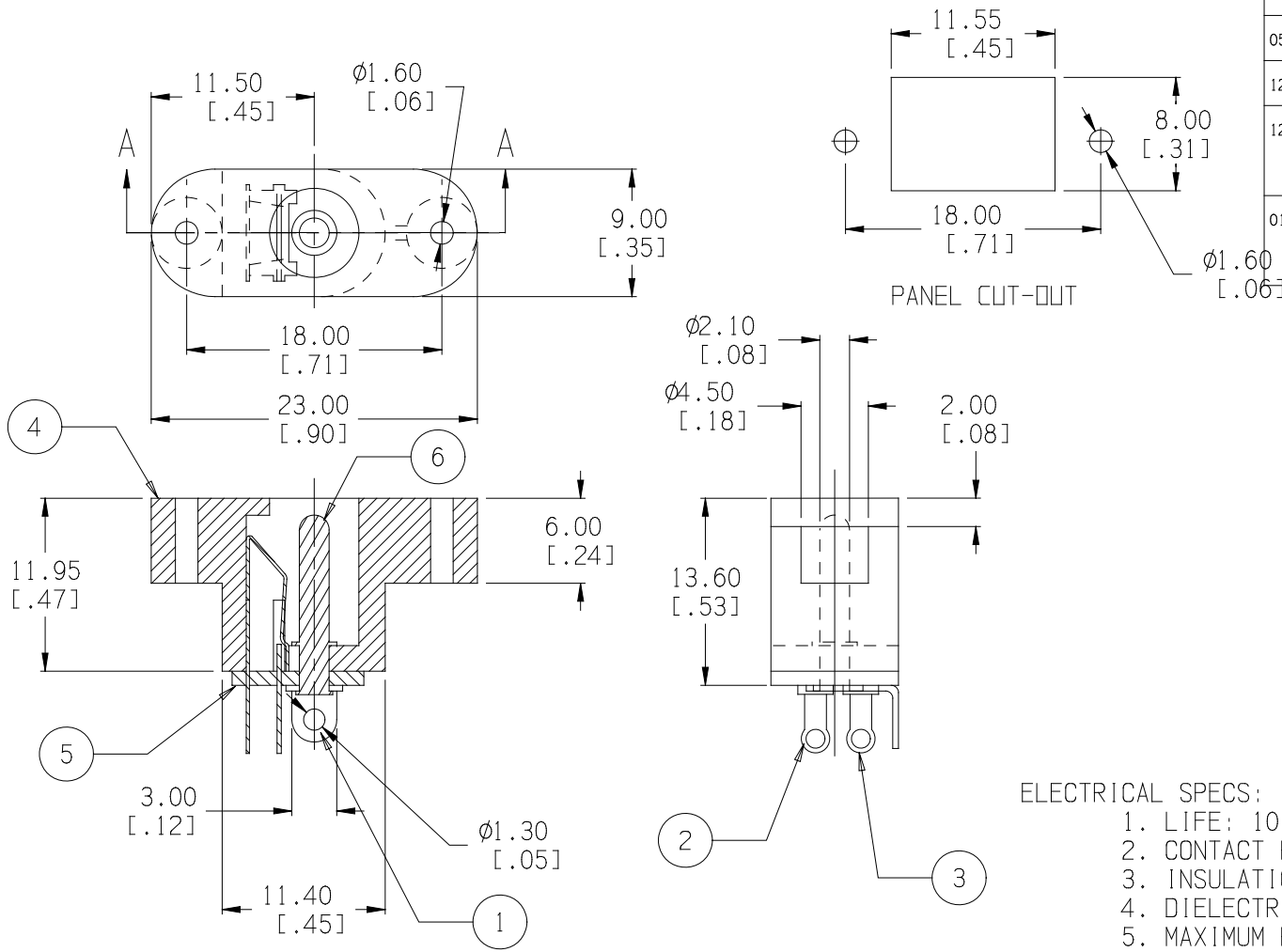


Date	SYM	REVISION RECORD	AUTH	DR.	CK.
05/08/04	A	ADDED ELECTRICAL SPECS	T.B.	B.S.	
12/05/14	B	UPDATED TO ROHS 2 COMPLIANT	T.B.	B.S.	
12/19/14	C	DIM. 18.20 WAS 17.90 DIM. 22.90 WAS 22.80 DIM. 11.95 WAS 12.00 DIM. 6.00 WAS 5.80 DIM. 2.00 WAS 1.80	T.B.	B.S.	
01/06/17	D	DIM. 18.00 WAS 18.20 DIM. 23.00 WAS 22.90 DIM. 11.50 WAS 11.40 DIM. 4.50 WAS 4.80	T.B.	B.S.	



SCHEMATIC DIAGRAM

ELECTRICAL SPECS:  
 1. LIFE: 10,000 INSERTION/WITHDRAWAL CYCLE MINIMUM  
 2. CONTACT RESISTANCE: 50mΩ MAXIMUM  
 3. INSULATION RESISTANCE: 1000mΩ MINIMUM  
 4. DIELECTRIC WITHSTANDING VOLTAGE: 500V AC MAXIMUM  
 5. MAXIMUM RATING: 5A, 12V DC  
 ROHS 2 COMPLIANT

ITEM NO.	PART NAME	MATL. SPECIFICATION	Tolerance (Inches)	MPD Memory Protection Devices, Inc. 200 Broad Hollow Road, Farmingdale, New York 11735	
1	PIN TERMINAL	0.4 THK BRASS, SILVER PLTD.	Decimal	Scale	Drawn By B.S.
2	SLEEVE SPRING	0.2 THK PHOSPHORSCENT BRONZE, SILVER PLTD.			
3	BREAK TERMINAL	0.3 THK BRASS, SILVER PLTD.	±.5 (.020)	Approved By	T.B.
4	HOUSING	BLACK, P.B.T.			
5	INSULATOR	BAKELITE, NATURAL	Fractional	Title DC JACK - PANEL MOUNT TYPE	
6	PIN (Ø2.1)	COPPER, NICKLE PLTD.			
			Angular	Date	Drawing Number
			± 3°	01/06/17	EJ505A