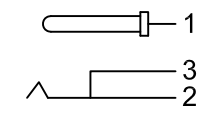
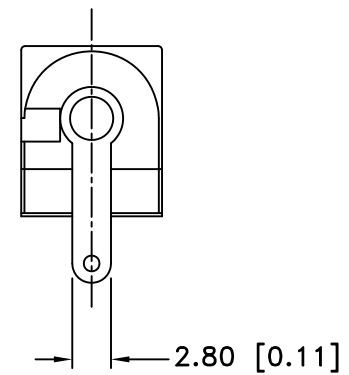
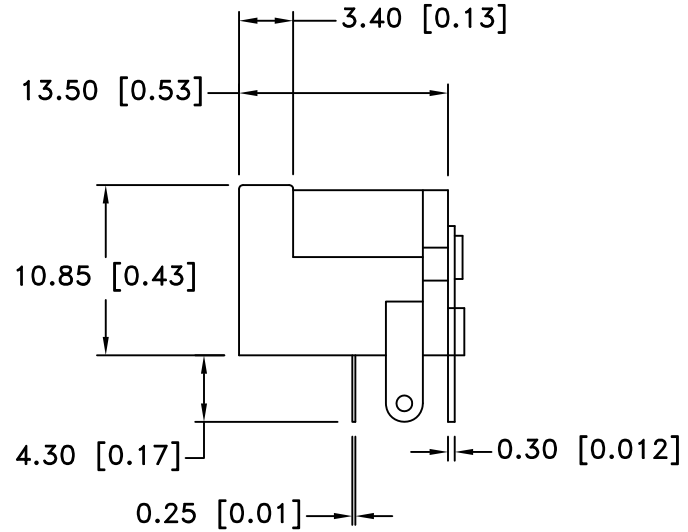
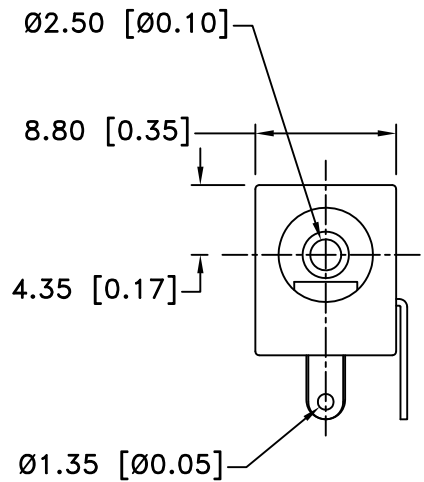


PCB LAYOUT

| Date | SYM | REVISION RECORD | AUTH | DR. | CK. |
|----------|-----|-----------------------------|------|------|-----|
| 01/13/12 | B | ADDED PCB LAYOUT | T.B. | B.S. | |
| 05/04/12 | C | UPDATED TITLE | T.B. | B.S. | |
| 07/20/12 | D | UPDATED TITLE | T.B. | B.S. | |
| 12/05/14 | E | UPDATED TO ROHS 2 COMPLIANT | T.B. | B.S. | |
| 07/14/16 | F | UPDATED LEFT SIDE VIEW | T.B. | B.S. | |



SCHEMATIC



NOTES:


MATERIAL:

- 1) PIN TERMINAL: 0.4T BRASS SILVER PLATED
- 2) SLEEVE SPRING: 0.2T PHOSPHOR BRONZE
- 3) BREAK TERMINAL: 0.3T BRASS
- 4) PIN (Ø2.0): COPPER
- 5) HOUSING: PBT
- 6) COVER: PBT

ROHS 2 COMPLIANT

ELECTRICAL SPECS:

- 1. LIFE: 10,000 INSERTION/WITHDRAWAL CYCLE MINIMUM
- 2. CONTACT RESISTANCE: 50mΩ MAXIMUM
- 3. INSULATION RESISTANCE: 1000mΩ MINIMUM
- 4. DIELECTRIC WITHSTANDING VOLTAGE: 500AC MAXIMUM
- 5. MAXIMUM RATING: 5A, 12V DC

| | | | |
|--------------------------------|---|------------------|--------------------------|
| Tolerance (Except as noted) |  Memory Protection Devices, Inc 200 Broad Hollow Road, Farmingdale, New York 11735 | Scale | Drawn By B.S. |
| | | | Approved By T.B. |
| decimal ±.5 (.020) | Title DC JACK – PCB MOUNTING 2.5 I.D. x 5.5 O.D. | | |
| Fractional ± .8 (.030) | | Date 07/14/16 | Drawing Number EJ508B |
| Angular ± 3° | | | |