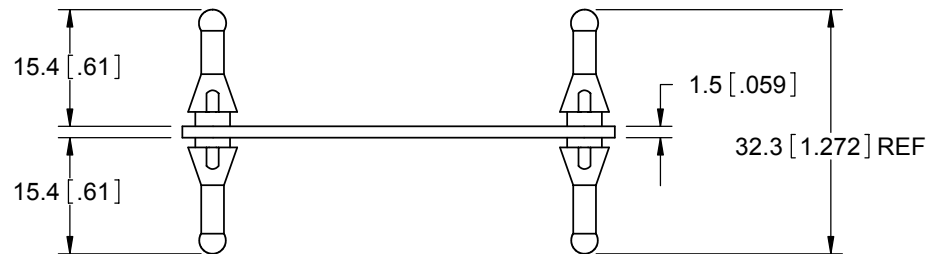
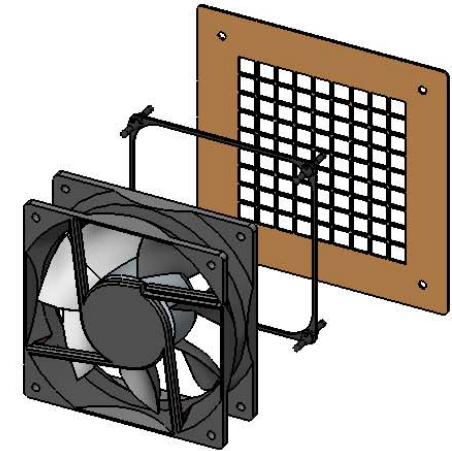
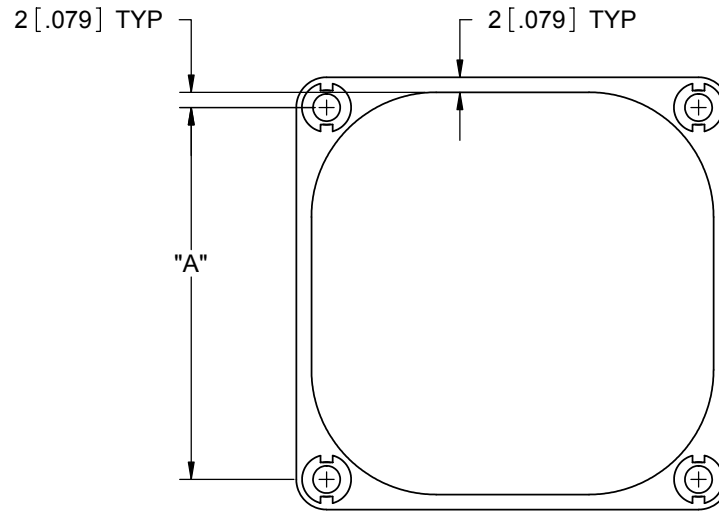
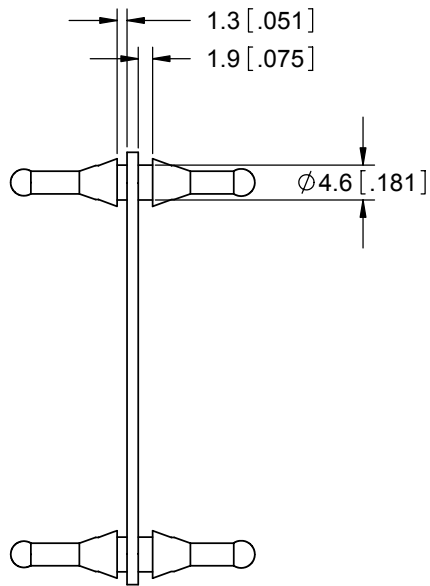


PART NUMBER	"A" AS ASSEMBLED
FMG-1	50 [1.969]
FMG-2	71.5 [2.815]
FMG-3	105.2 [4.142]



- NOTES:  
 1. MATERIAL: EPDM RUBBER 40, SHORE A (RMS-180)  
 2. COLOR: BLACK  
 3. TO PULL THROUGH A  $5 \pm 0.1$  [.197 ± .039] HOLE, WITH MAXIMUM 1.4 [.055] PANEL AND 2 [.079] FAN THICKNESS  
 4. ALTERNATE UNITS FOR REFERENCE ONLY.

TITLE: <b>FAN MOUNT GASKET</b>					DWG IN mm [IN]	
CREATED USING SOLIDWORKS	FILE #: FMG	DWN: D.J.Z.	APP: D.J.Z.	FINAL		
GENERAL TOLERANCE UNLESS NOTED ±0.25 ANG. ±1°	SHEET: 1 OF 1	SHEET SIZE: A	DT: 01/15/07	CHKD: S.K.	PART #	PRINT TYPE
RE: RICHCO INC.	RICHCO, INC. ENG@RICHCO-INC.COM (773) 539-4060		SEE TABLE		CA	

A	RELEASED FOR PRODUCTION	SK	01/15/07
REV.	DESCRIPTION	ENGR.	DATE