



Is Now Part of



ON Semiconductor®

To learn more about ON Semiconductor, please visit our website at
www.onsemi.com

ON Semiconductor and the ON Semiconductor logo are trademarks of Semiconductor Components Industries, LLC dba ON Semiconductor or its subsidiaries in the United States and/or other countries. ON Semiconductor owns the rights to a number of patents, trademarks, copyrights, trade secrets, and other intellectual property. A listing of ON Semiconductor's product/patent coverage may be accessed at www.onsemi.com/site/pdf/Patent-Marking.pdf. ON Semiconductor reserves the right to make changes without further notice to any products herein. ON Semiconductor makes no warranty, representation or guarantee regarding the suitability of its products for any particular purpose, nor does ON Semiconductor assume any liability arising out of the application or use of any product or circuit, and specifically disclaims any and all liability, including without limitation special, consequential or incidental damages. Buyer is responsible for its products and applications using ON Semiconductor products, including compliance with all laws, regulations and safety requirements or standards, regardless of any support or applications information provided by ON Semiconductor. "Typical" parameters which may be provided in ON Semiconductor data sheets and/or specifications can and do vary in different applications and actual performance may vary over time. All operating parameters, including "Typicals" must be validated for each customer application by customer's technical experts. ON Semiconductor does not convey any license under its patent rights nor the rights of others. ON Semiconductor products are not designed, intended, or authorized for use as a critical component in life support systems or any FDA Class 3 medical devices or medical devices with a same or similar classification in a foreign jurisdiction or any devices intended for implantation in the human body. Should Buyer purchase or use ON Semiconductor products for any such unintended or unauthorized application, Buyer shall indemnify and hold ON Semiconductor and its officers, employees, subsidiaries, affiliates, and distributors harmless against all claims, costs, damages, and expenses, and reasonable attorney fees arising out of, directly or indirectly, any claim of personal injury or death associated with such unintended or unauthorized use, even if such claim alleges that ON Semiconductor was negligent regarding the design or manufacture of the part. ON Semiconductor is an Equal Opportunity/Affirmative Action Employer. This literature is subject to all applicable copyright laws and is not for resale in any manner.



October 2011

FOD3150

High Noise Immunity, 1.0A Output Current, Gate Drive Optocoupler

Features

- High noise immunity characterized by 20kV/ μ s minimum common mode rejection
- Use of P-channel MOSFETs at output stage enables output voltage swing close to the supply rail
- Wide supply voltage range from 15V to 30V
- Fast switching speed
 - 500ns max. propagation delay
 - 300ns max. pulse width distortion
- Under Voltage LockOut (UVLO) with hysteresis
- Extended industrial temperature range, -40°C to 100°C temperature range
- Safety and regulatory approvals
 - UL1577, 5000 V_{RMS} for 1 min.
 - IEC60747-5-2
- >8.0mm clearance and creepage distance (option 'T')

Applications

- Industrial inverter
- Uninterruptible power supply
- Induction heating
- Isolated IGBT/Power MOSFET gate drive

Description

The FOD3150 is a 1.0A Output Current Gate Drive Optocoupler, capable of driving most 800V/20A IGBT/MOSFET. It is ideally suited for fast switching driving of power IGBT and MOSFETs used in motor control inverter applications, and high performance power system.

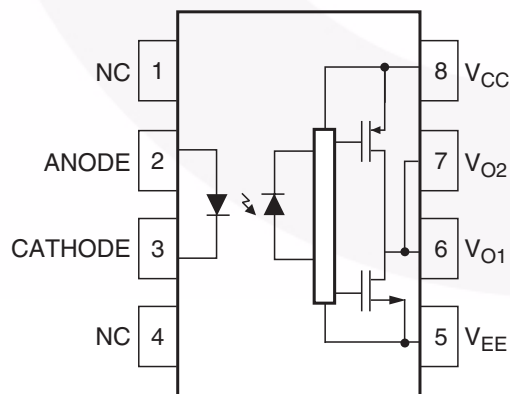
It utilizes Fairchild's patented coplanar packaging technology, Optoplanar[®], and optimized IC design to achieve high noise immunity, characterized by high common mode rejection.

It consists of a gallium aluminum arsenide (AlGaAs) light emitting diode optically coupled to an integrated circuit with a high-speed driver for push-pull MOSFET output stage.

Related Resources

- FOD3120, 2.5A Output Current, Gate Drive Optocoupler Datasheet
- www.fairchildsemi.com/products/opto/

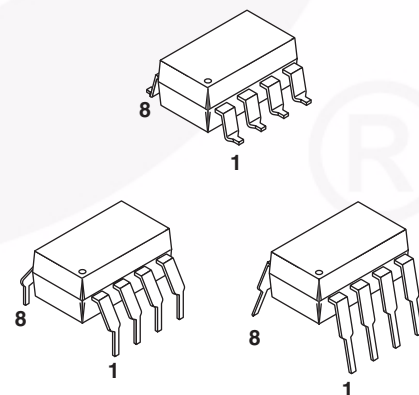
Functional Block Diagram



Note:

A 0.1 μ F bypass capacitor must be connected between pins 5 and 8.

Package Outlines



FOD3150 — High Noise Immunity, 1.0A Output Current, Gate Drive Optocoupler

Truth Table

| LED | $V_{CC}-V_{EE}$ “Positive Going” (Turn-on) | $V_{CC}-V_{EE}$ “Negative Going” (Turn-off) | V_O |
|-----|---|--|------------|
| Off | 0V to 30V | 0V to 30V | Low |
| On | 0V to 11V | 0V to 9.5V | Low |
| On | 11V to 13.5V | 9.5V to 12V | Transition |
| On | 13.5V to 30V | 12V to 30V | High |

Pin Definitions

| Pin # | Name | Description |
|-------|----------|--|
| 1 | NC | Not Connected |
| 2 | Anode | LED Anode |
| 3 | Cathode | LED Cathode |
| 4 | NC | Not Connected |
| 5 | V_{EE} | Negative Supply Voltage |
| 6 | V_{O2} | Output Voltage 2 (internally connected to V_{O1}) |
| 7 | V_{O1} | Output Voltage 1 |
| 8 | V_{CC} | Positive Supply Voltage |

Safety and Insulation Ratings

As per IEC 60747-5-2. This optocoupler is suitable for “safe electrical insulation” only within the safety limit data. Compliance with the safety ratings shall be ensured by means of protective circuits.

| Symbol | Parameter | Min. | Typ. | Max. | Unit |
|-----------------------|--|-----------------|-----------|------|-------------------|
| | Installation Classifications per DIN VDE 0110/1.89 Table 1 | | | | |
| | For Rated Main Voltage < 150Vrms | | I-IV | | |
| | For Rated Main Voltage < 300Vrms | | I-IV | | |
| | For Rated Main Voltage < 450Vrms | | I-III | | |
| | For Rated Main Voltage < 600Vrms | | I-III | | |
| | Climatic Classification | | 55/100/21 | | |
| | Pollution Degree (DIN VDE 0110/1.89) | | 2 | | |
| CTI | Comparative Tracking Index | 175 | | | |
| V _{PR} | Input to Output Test Voltage, Method b, V _{IORM} × 1.875 = V _{PR} , 100% Production Test with t _m = 1 sec., Partial Discharge < 5pC | 1669 | | | |
| | Input to Output Test Voltage, Method a, V _{IORM} × 1.5 = V _{PR} , Type and Sample Test with t _m = 60 sec., Partial Discharge < 5 pC | 1335 | | | |
| V _{IORM} | Max Working Insulation Voltage | 890 | | | V _{peak} |
| V _{IOTM} | Highest Allowable Over Voltage | 6000 | | | V _{peak} |
| | External Creepage | 8 | | | mm |
| | External Clearance | 7.4 | | | mm |
| | External Clearance (for Option T-0.4" Lead Spacing) | 10.16 | | | mm |
| | Insulation Thickness | 0.5 | | | mm |
| T _{Case} | Safety Limit Values – Maximum Values Allowed in the Event of a Failure | | | | |
| | Case Temperature | 150 | | | °C |
| I _{S,INPUT} | Input Current | 25 | | | mA |
| P _{S,OUTPUT} | Output Power (Duty Factor ≤ 2.7%) | 250 | | | mW |
| R _{IO} | Insulation Resistance at T _S , V _{IO} = 500V | 10 ⁹ | | | Ω |

Absolute Maximum Ratings ($T_A = 25^\circ\text{C}$ unless otherwise specified)

Stresses exceeding the absolute maximum ratings may damage the device. The device may not function or be operable above the recommended operating conditions and stressing the parts to these levels is not recommended. In addition, extended exposure to stresses above the recommended operating conditions may affect device reliability. The absolute maximum ratings are stress ratings only.

| Symbol | Parameter | Value | Units |
|--------------------------------------|--|----------------------|------------------|
| T_{STG} | Storage Temperature | -55 to +125 | $^\circ\text{C}$ |
| T_{OPR} | Operating Temperature | -40 to +100 | $^\circ\text{C}$ |
| T_J | Junction Temperature | -40 to +125 | $^\circ\text{C}$ |
| T_{SOL} | Lead Wave Solder Temperature (refer to page 19 for reflow solder profile) | 260 for 10sec | $^\circ\text{C}$ |
| $I_{\text{F(AVG)}}$ | Average Input Current | 25 | mA |
| V_R | Reverse Input Voltage | 5 | V |
| $I_{\text{O(PEAK)}}$ | Peak Output Current ⁽¹⁾ | 1.5 | A |
| $V_{\text{CC}} - V_{\text{EE}}$ | Supply Voltage | 0 to 35 | V |
| $V_{\text{O(PEAK)}}$ | Peak Output Voltage | 0 to V_{CC} | V |
| $t_{\text{R(IN)}}, t_{\text{F(IN)}}$ | Input Signal Rise and Fall Time | 500 | ns |
| PD_I | Input Power Dissipation ⁽²⁾⁽⁴⁾ | 45 | mW |
| PD_O | Output Power Dissipation ⁽³⁾⁽⁴⁾ | 250 | mW |

Recommended Operating Conditions

The Recommended Operating Conditions table defines the conditions for actual device operation. Recommended operating conditions are specified to ensure optimal performance to the datasheet specifications. Fairchild does not recommend exceeding them or designing to absolute maximum ratings.

| Symbol | Parameter | Value | Units |
|---------------------------------|-------------------------------|-------------|------------------|
| T_A | Ambient Operating Temperature | -40 to +100 | $^\circ\text{C}$ |
| $V_{\text{CC}} - V_{\text{EE}}$ | Power Supply | 15 to 30 | V |
| $I_{\text{F(ON)}}$ | Input Current (ON) | 7 to 16 | mA |
| $V_{\text{F(OFF)}}$ | Input Voltage (OFF) | 0 to 0.8 | V |

Isolation Characteristics

Apply over all recommended conditions, typical value is measured at $T_A = 25^\circ\text{C}$

| Symbol | Parameter | Conditions | Min. | Typ. | Max. | Units |
|------------------|--------------------------------|--|------|-----------|------|------------------|
| V_{ISO} | Input-Output Isolation Voltage | $T_A = 25^\circ\text{C}$, R.H. < 50%, $t = 1.0\text{min}$, $I_{\text{I-O}} \leq 10\mu\text{A}$, 50Hz ⁽⁵⁾⁽⁶⁾ | 5000 | | | V_{RMS} |
| R_{ISO} | Isolation Resistance | $V_{\text{I-O}} = 500\text{V}^{(5)}$ | | 10^{11} | | Ω |
| C_{ISO} | Isolation Capacitance | $V_{\text{I-O}} = 0\text{V}$, Freq = 1.0MHz ⁽⁵⁾ | | 1 | | pF |

Electrical Characteristics

Apply over all recommended conditions, typical value is measured at $V_{CC} = 30V$, $V_{EE} = \text{Ground}$, $T_A = 25^\circ\text{C}$ unless otherwise specified.

| Symbol | Parameter | Conditions | Min. | Typ. | Max. | Units |
|---------------------|--|--|-----------------|-----------------|-----------------|-------|
| V_F | Input Forward Voltage | $I_F = 10\text{mA}$ | 1.2 | 1.5 | 1.8 | V |
| $\Delta(V_F / T_A)$ | Temperature Coefficient of Forward Voltage | | | -1.8 | | mV/°C |
| BV_R | Input Reverse Breakdown Voltage | $I_R = 10\mu\text{A}$ | 5 | | | V |
| C_{IN} | Input Capacitance | $f = 1\text{MHz}$, $V_F = 0V$ | | 60 | | pF |
| I_{OH} | High Level Output Current ⁽¹⁾ | $V_O = V_{CC} - 0.75V$ | 0.2 | | | A |
| | | $V_O = V_{CC} - 4V$ | 1.0 | | | |
| I_{OL} | Low Level Output Current ⁽¹⁾ | $V_O = V_{CC} + 0.75V$ | 0.2 | | | A |
| | | $V_O = V_{CC} + 4V$ | 1.0 | | | |
| V_{OH} | High Level Output Voltage | $I_F = 10\text{mA}$, $I_O = -1\text{A}$ | $V_{CC} - 4V$ | $V_{CC} - 6V$ | | V |
| | | $I_F = 10\text{mA}$, $I_O = -100\text{mA}$ | $V_{CC} - 0.5V$ | $V_{CC} - 0.1V$ | | |
| V_{OL} | Low Level Output Voltage | $I_F = 0\text{mA}$, $I_O = 1\text{A}$ | | $V_{EE} + 6V$ | $V_{EE} + 4V$ | V |
| | | $I_F = 0\text{mA}$, $I_O = 100\text{mA}$ | | $V_{EE} + 0.1V$ | $V_{EE} + 0.5V$ | |
| I_{CCH} | High Level Supply Current | $V_O = \text{Open}$, $I_F = 7$ to 16mA | | 2.8 | 5 | mA |
| I_{CCL} | Low Level Supply Current | $V_O = \text{Open}$, $V_F = 0$ to $0.8V$ | | 2.8 | 5 | mA |
| I_{FLH} | Threshold Input Current Low to High | $I_O = 0\text{mA}$, $V_O > 5V$ | | 2.3 | 5.0 | mA |
| V_{FHL} | Threshold Input Voltage High to Low | $I_O = 0\text{mA}$, $V_O < 5V$ | 0.8 | | | V |
| V_{UVLO+} | Under Voltage Lockout Threshold | $I_F = 10\text{mA}$, $V_O > 5V$ | 11 | 12.7 | 13.5 | V |
| V_{UVLO-} | | $I_F = 10\text{mA}$, $V_O < 5V$ | 9.5 | 11.2 | 12.0 | V |
| $UVLO_{HYS}$ | Under Voltage Lockout Threshold Hysteresis | | | 1.5 | | V |

Switching Characteristics

Apply over all recommended conditions, typical value is measured at $V_{CC} = 30V$, $V_{EE} = \text{Ground}$, $T_A = 25^\circ\text{C}$ unless otherwise specified.

| Symbol | Parameter | Conditions | Min. | Typ. | Max. | Units |
|-----------------|---|---|----------------------------------|------|------|-------------------------|
| t_{PHL} | Propagation Delay Time to Logic Low Output | $I_F = 7\text{mA to } 16\text{mA}$, $R_G = 20\Omega$, $C_G = 10\text{nF}$, $f = 10\text{kHz}$, Duty Cycle = 50% | 100 | 275 | 500 | ns |
| t_{PLH} | Propagation Delay Time to Logic High Output | | 100 | 255 | 500 | ns |
| PWD | Pulse Width Distortion, $ t_{PHL} - t_{PLH} $ | | | 20 | 300 | ns |
| PDD (Skew) | Propagation Delay Difference Between Any Two Parts or Channels, $(t_{PHL} - t_{PLH})^{(7)}$ | | | -350 | 350 | ns |
| t_r | Output Rise Time (10% – 90%) | | | | 60 | ns |
| t_f | Output Fall Time (90% – 10%) | | | | 60 | ns |
| $t_{UVLO\ ON}$ | UVLO Turn On Delay | | $I_F = 10\text{mA}$, $V_O > 5V$ | | 1.6 | |
| $t_{UVLO\ OFF}$ | UVLO Turn Off Delay | $I_F = 10\text{mA}$, $V_O < 5V$ | | 0.4 | | μs |
| $ CM_H $ | Common Mode Transient Immunity at Output High | $T_A = 25^\circ\text{C}$, $V_{CC} = 30V$, $I_F = 7 \text{ to } 16\text{mA}$, $V_{CM} = 2000V^{(8)}$ | 20 | 50 | | $\text{kV}/\mu\text{s}$ |
| $ CM_L $ | Common Mode Transient Immunity at Output Low | $T_A = 25^\circ\text{C}$, $V_{CC} = 30V$, $V_F = 0V$, $V_{CM} = 2000V^{(9)}$ | 20 | 50 | | $\text{kV}/\mu\text{s}$ |

Notes:

- Maximum pulse width = $10\mu\text{s}$, maximum duty cycle = 0.2%
- Derate linearly above 87°C , free air temperature at a rate of $0.77\text{mW}/^\circ\text{C}$
- No derating required across temperature range.
- Functional operation under these conditions is not implied. Permanent damage may occur if the device is subjected to conditions outside these ratings.
- Device is considered a two terminal device: Pins 2 and 3 are shorted together and Pins 5, 6, 7 and 8 are shorted together.
- $5,000 V_{RMS}$ for 1 minute duration is equivalent to $6,000 V_{AC\ RMS}$ for 1 second duration.
- The difference between t_{PHL} and t_{PLH} between any two FOD3150 parts under same test conditions.
- Common mode transient immunity at output high is the maximum tolerable negative dV_{cm}/dt on the trailing edge of the common mode impulse signal, V_{cm} , to assure that the output will remain high (i.e. $V_O > 15.0V$).
- Common mode transient immunity at output low is the maximum tolerable positive dV_{cm}/dt on the leading edge of the common pulse signal, V_{cm} , to assure that the output will remain low (i.e. $V_O < 1.0V$).

Typical Performance Curves

Fig. 1 Output High Voltage Drop vs. Output High Current

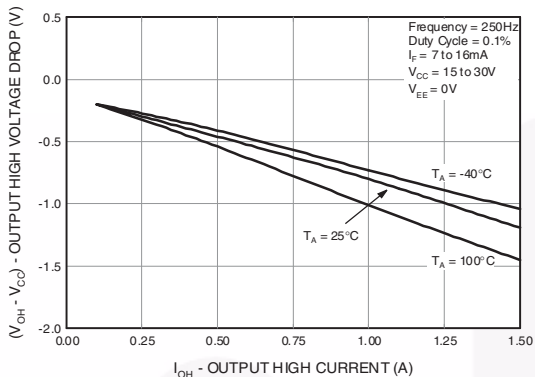


Fig. 2 Output High Voltage Drop vs. Ambient Temperature

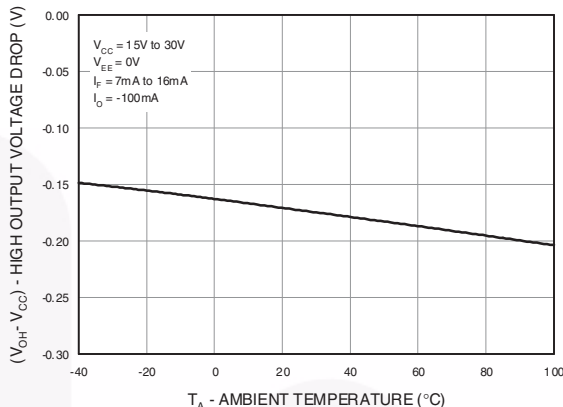


Fig. 3 Output Low Voltage vs. Output Low Current

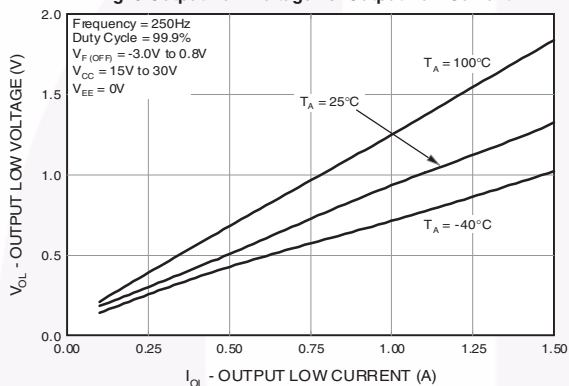


Fig. 4 Output Low Voltage vs. Ambient Temperature

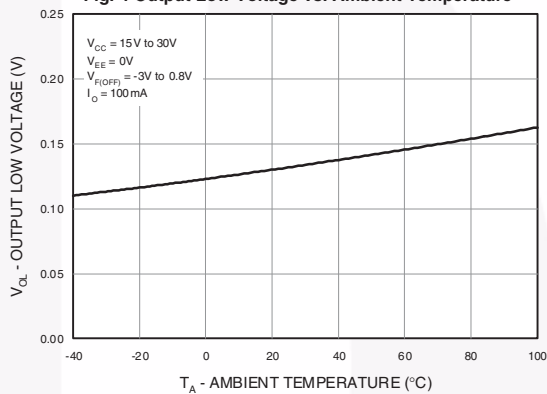


Fig. 5 Supply Current vs. Ambient Temperature

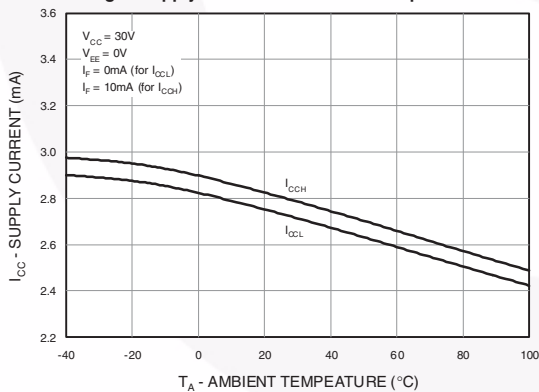
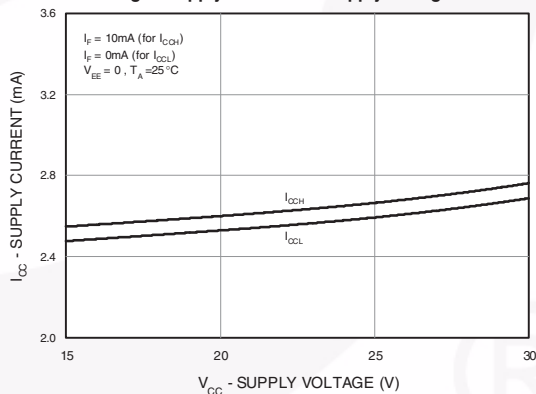
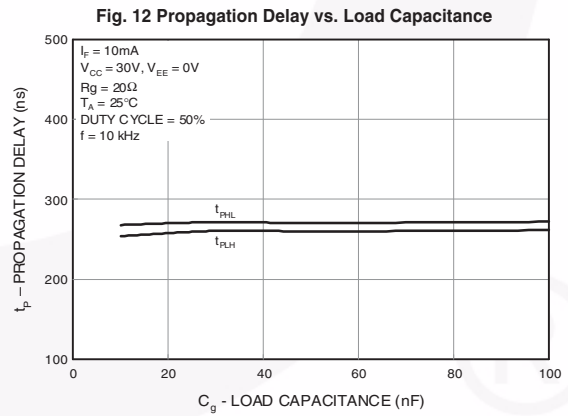
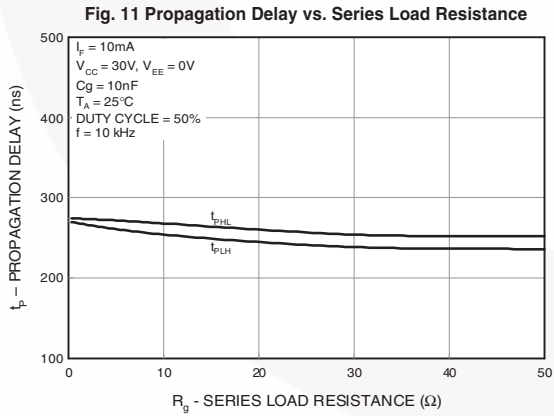
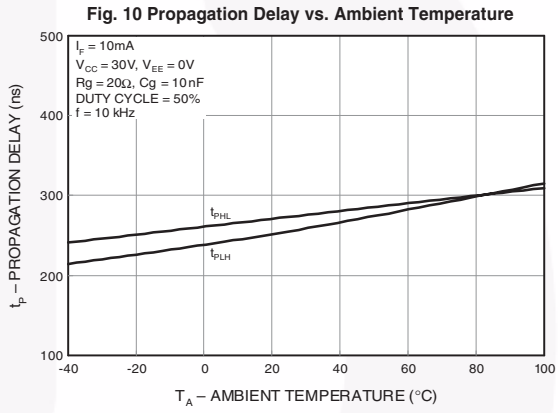
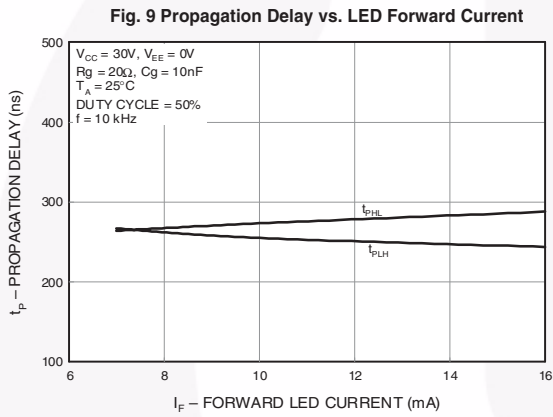
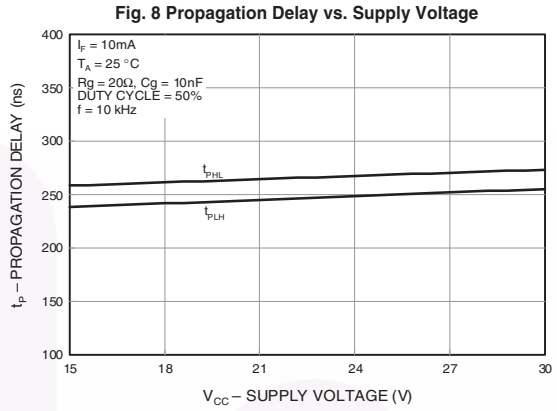
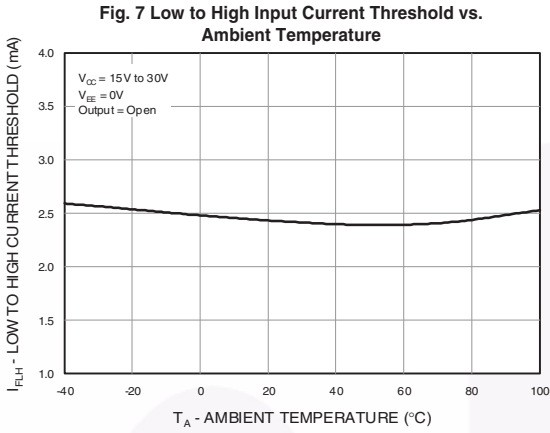


Fig. 6 Supply Current vs. Supply Voltage



Typical Performance Curves (Continued)



Typical Performance Curves (Continued)

Fig. 13 Transfer Characteristics

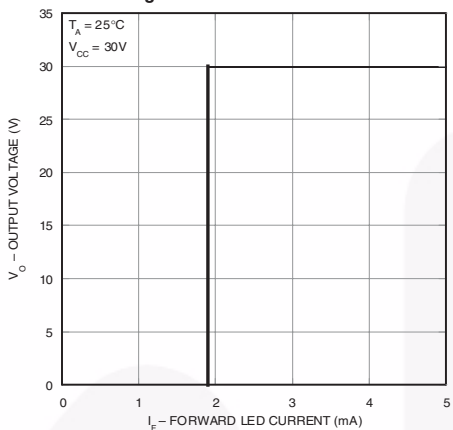


Fig. 14 Input Forward Current vs. Forward Voltage

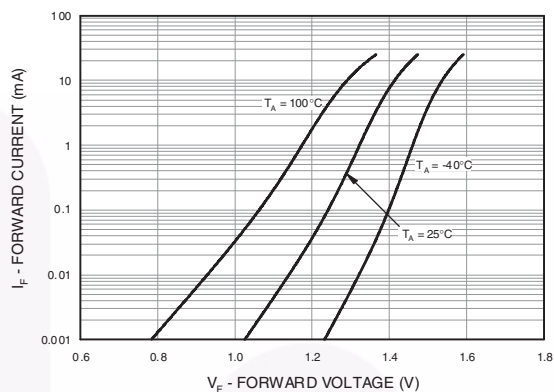
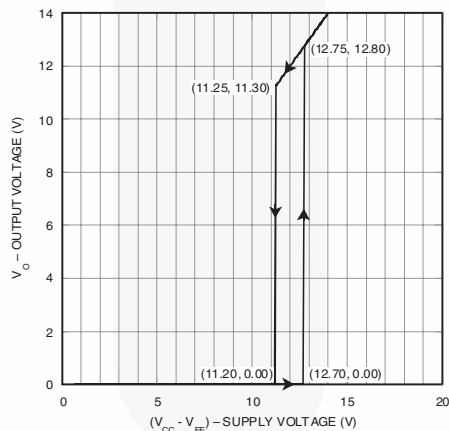


Fig. 15 Under Voltage Lockout



Test Circuit

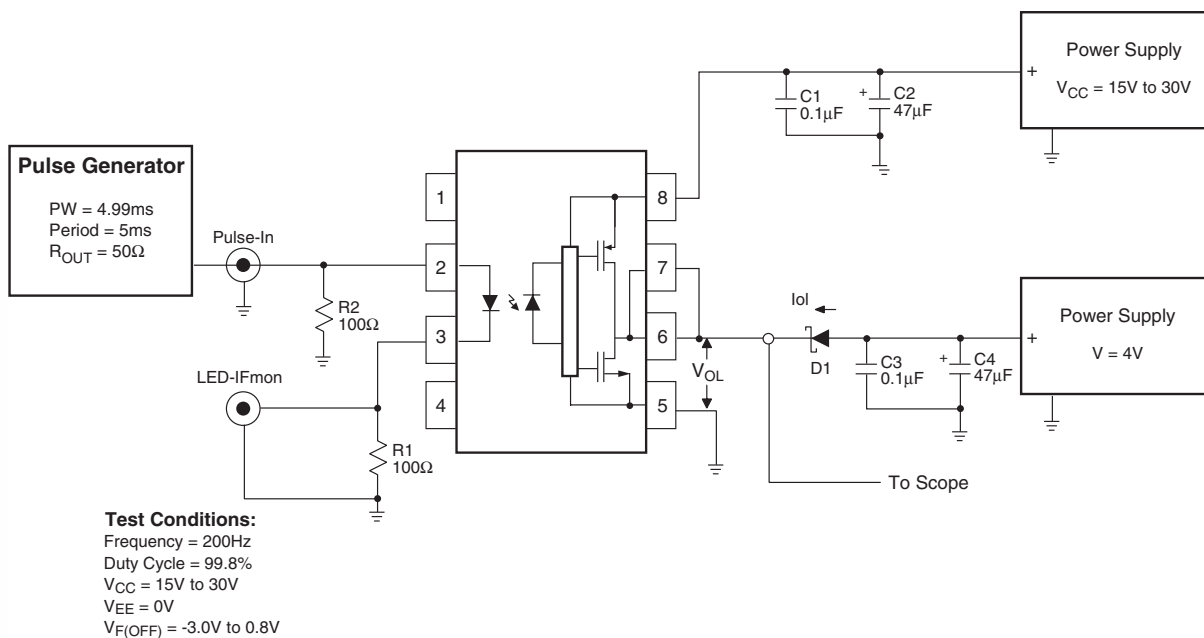


Figure 20. I_{OL} Test Circuit

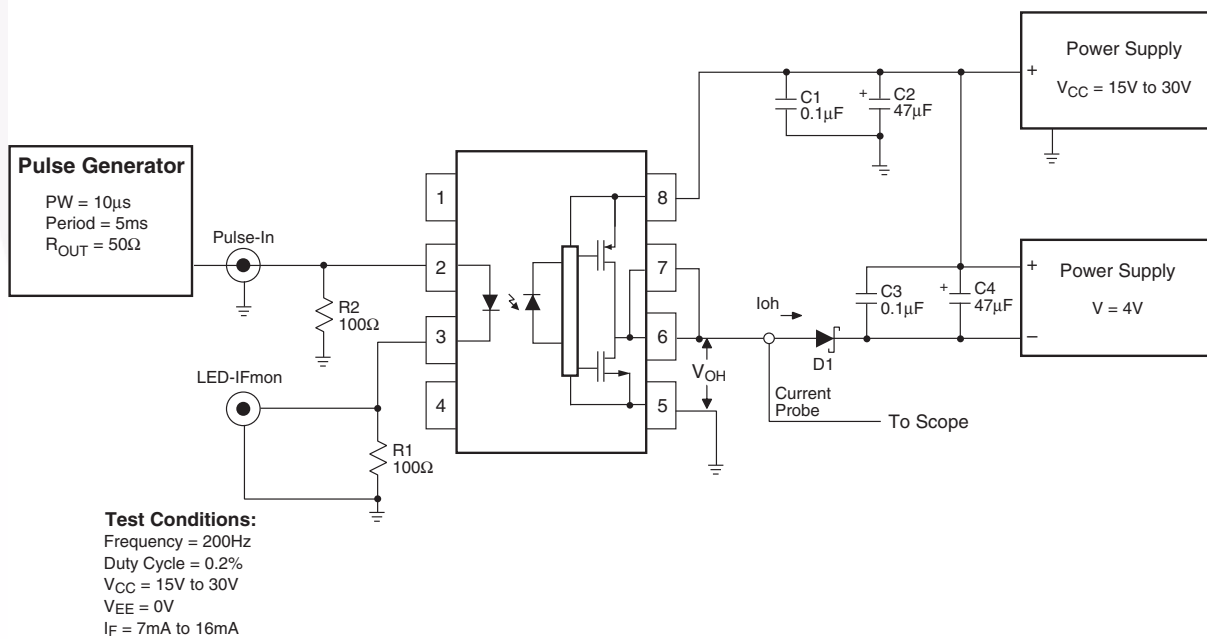


Figure 21. I_{OH} Test Circuit

Test Circuit (Continued)

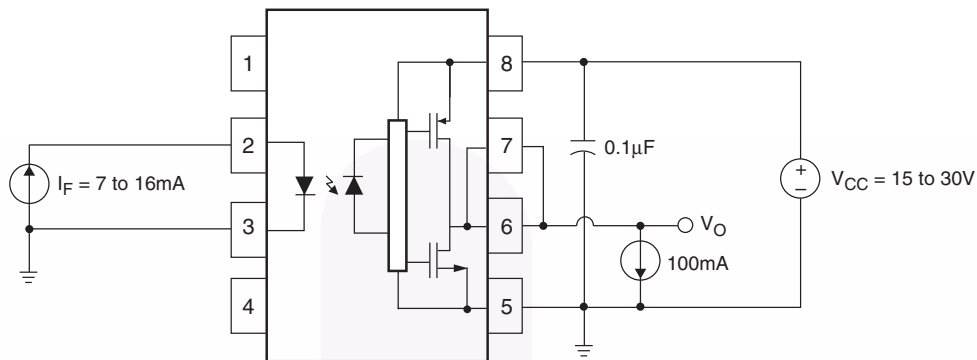


Figure 22. V_{OH} Test Circuit

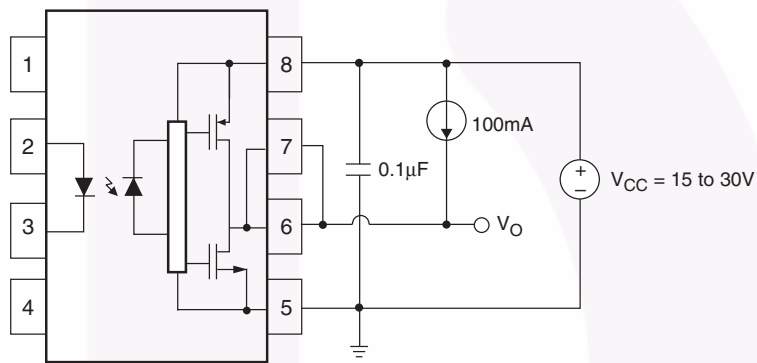


Figure 23. V_{OL} Test Circuit



Test Circuit (Continued)

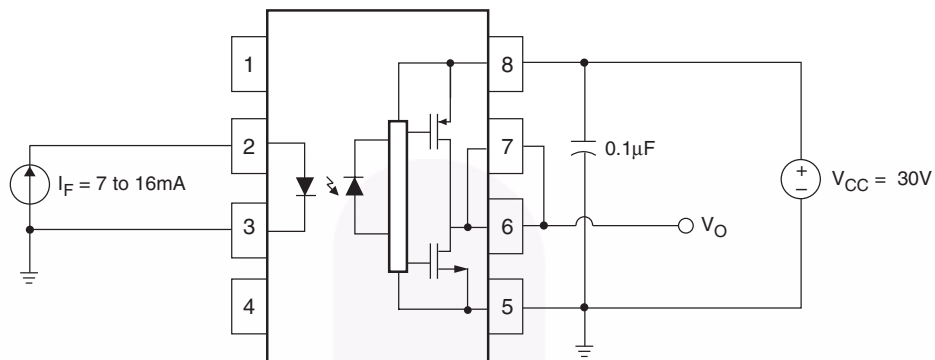


Figure 24. I_{CCH} Test Circuit

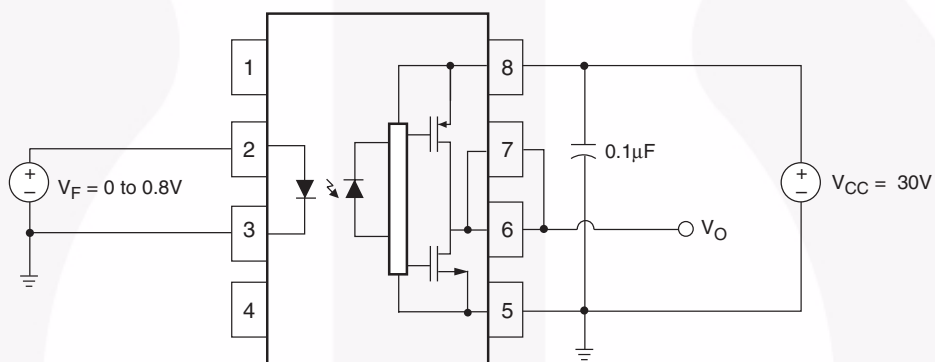


Figure 25. I_{CCL} Test Circuit

Test Circuit (Continued)

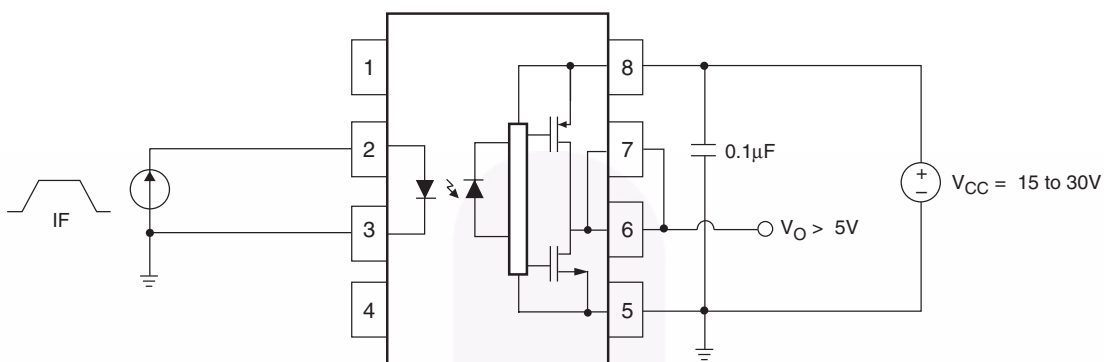


Figure 26. I_{FLH} Test Circuit

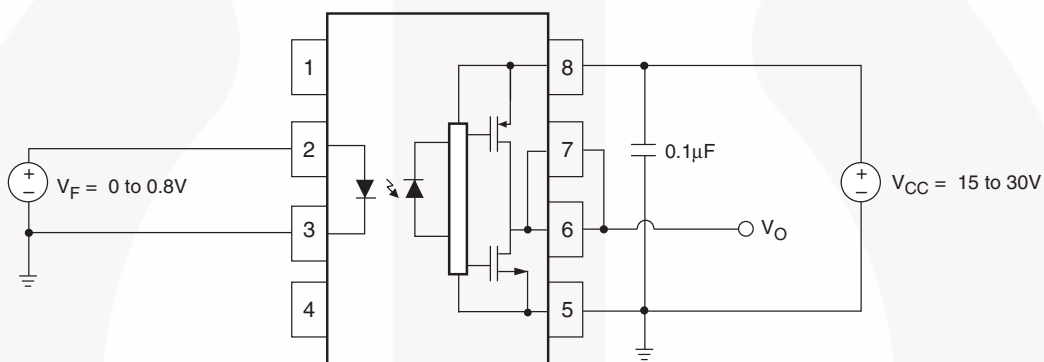


Figure 27. V_{FHL} Test Circuit

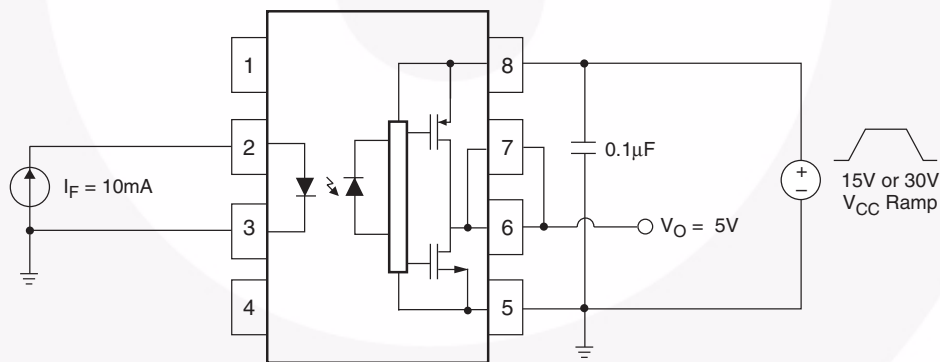


Figure 28. UVLO Test Circuit

Test Circuit (Continued)

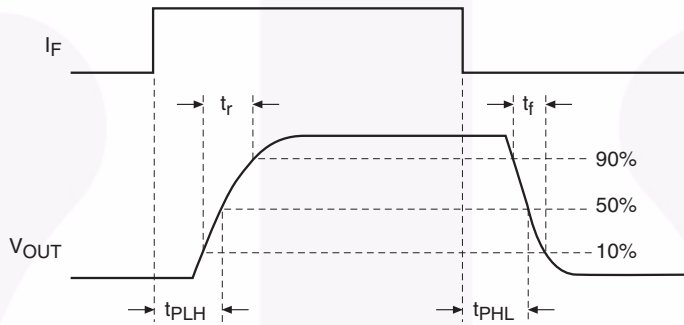
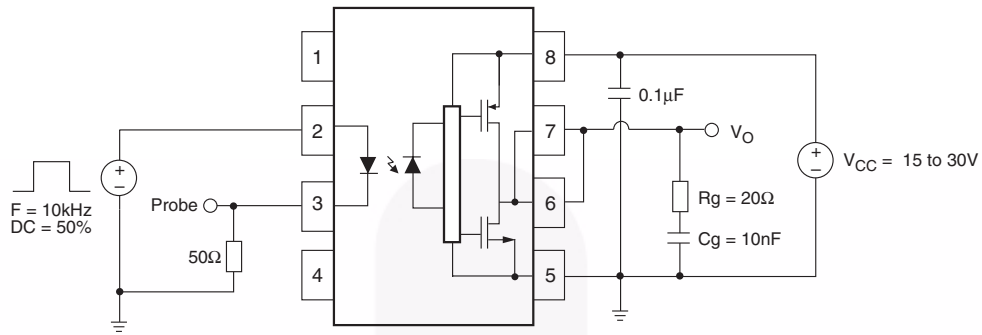


Figure 29. t_{PHL} , t_{PLH} , t_R and t_F Test Circuit and Waveforms

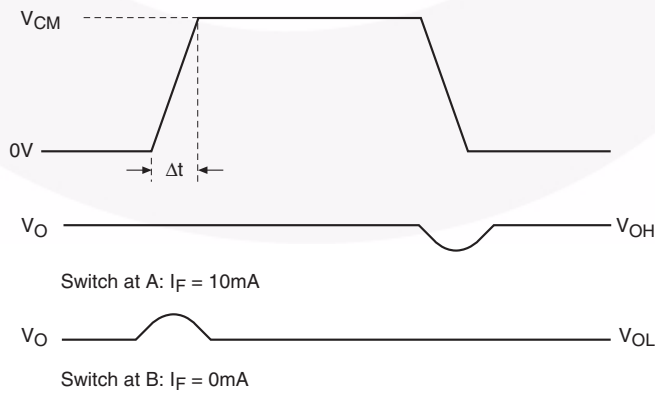
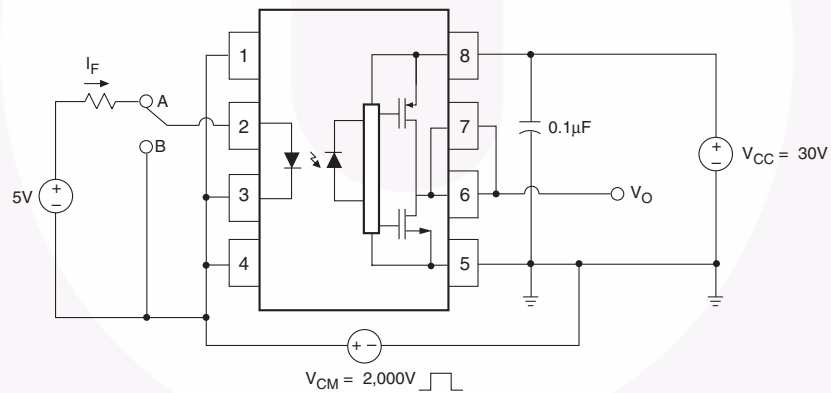
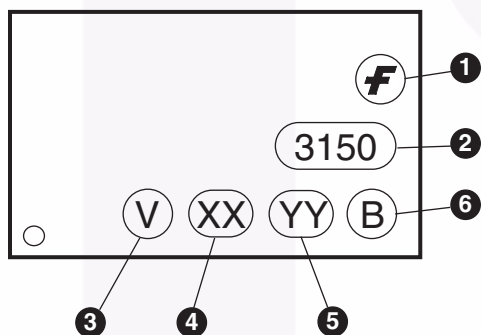


Figure 30. CMR Test Circuit and Waveforms

Ordering Information

| Part Number | Package | Packing Method |
|-------------|--|--------------------------------------|
| FOD3150 | DIP 8-Pin | Tube (50 units per tube) |
| FOD3150S | SMT 8-Pin (Lead Bend) | Tube (50 units per tube) |
| FOD3150SD | SMT 8-Pin (Lead Bend) | Tape and Reel (1,000 units per reel) |
| FOD3150V | DIP 8-Pin, IEC60747-5-2 option | Tube (50 units per tube) |
| FOD3150SV | SMT 8-Pin (Lead Bend), IEC60747-5-2 option | Tube (50 units per tube) |
| FOD3150SDV | SMT 8-Pin (Lead Bend), IEC60747-5-2 option | Tape and Reel (1,000 units per reel) |
| FOD3150T | DIP 8-Pin, 0.4" Lead Spacing | Tube (50 units per tube) |
| FOD3150TV | DIP 8-Pin, 0.4" Lead Spacing , IEC60747-5-2 option | Tube (50 units per tube) |

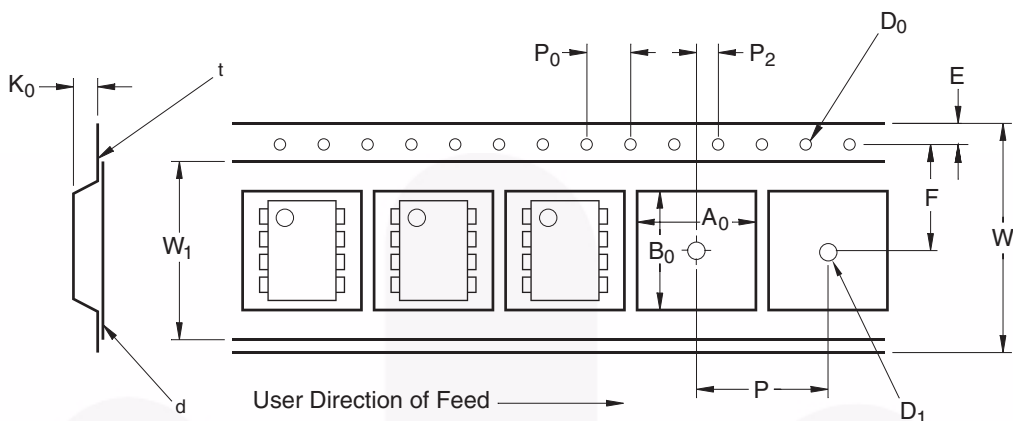
Marking Information



Definitions

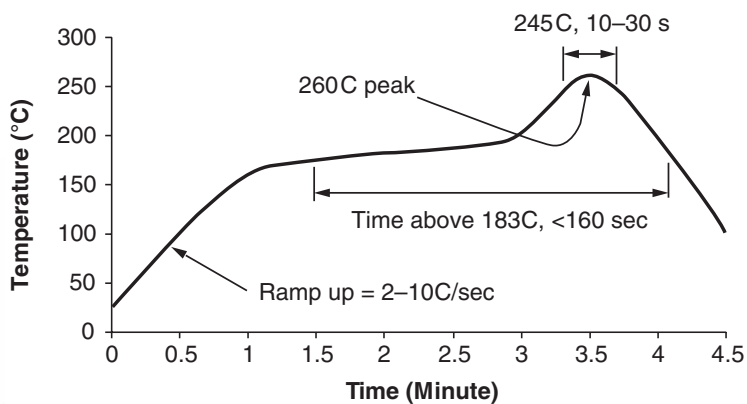
| | |
|---|--|
| 1 | Fairchild logo |
| 2 | Device number |
| 3 | IEC60747-5-2 Option (only appears on component ordered with this option) |
| 4 | Two digit year code, e.g., '08' |
| 5 | Two digit work week ranging from '01' to '53' |
| 6 | Assembly package code |

Carrier Tape Specifications



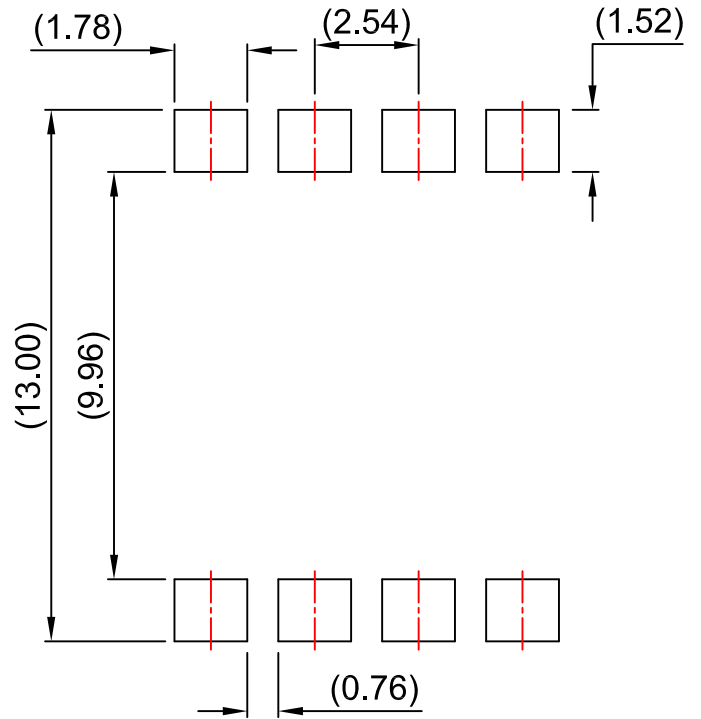
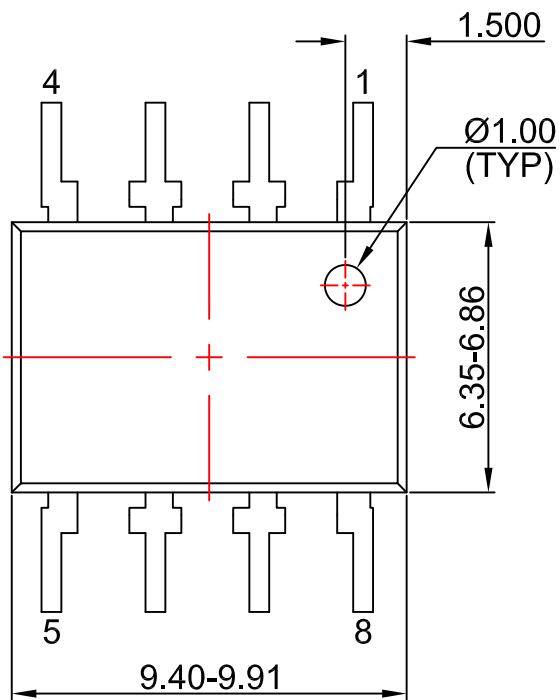
| Symbol | Description | Dimension in mm |
|----------------|---------------------------------|-----------------|
| W | Tape Width | 16.0 ± 0.3 |
| t | Tape Thickness | 0.30 ± 0.05 |
| P ₀ | Sprocket Hole Pitch | 4.0 ± 0.1 |
| D ₀ | Sprocket Hole Diameter | 1.55 ± 0.05 |
| E | Sprocket Hole Location | 1.75 ± 0.10 |
| F | Pocket Location | 7.5 ± 0.1 |
| P ₂ | | 2.0 ± 0.1 |
| P | Pocket Pitch | 12.0 ± 0.1 |
| A ₀ | Pocket Dimensions | 10.30 ± 0.20 |
| B ₀ | | 10.30 ± 0.20 |
| K ₀ | | 4.90 ± 0.20 |
| W ₁ | Cover Tape Width | 13.2 ± 0.2 |
| d | Cover Tape Thickness | 0.1 max |
| | Max. Component Rotation or Tilt | 10° |
| R | Min. Bending Radius | 30 |

Reflow Profile

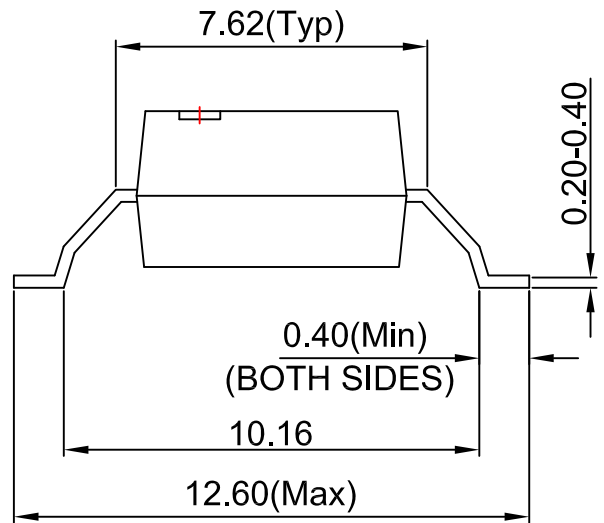
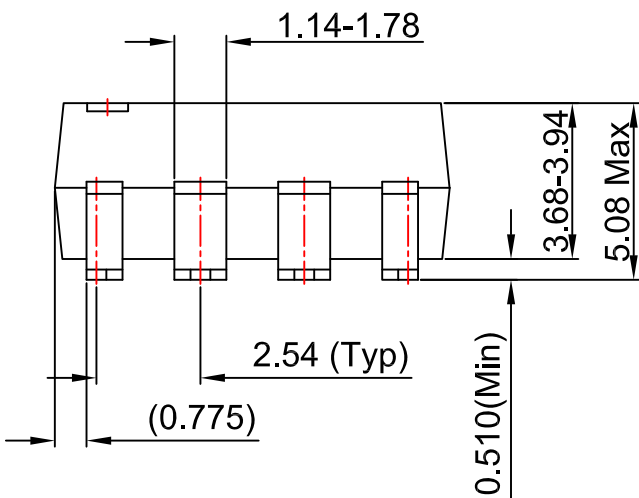


- Peak reflow temperature: 260C (package surface temperature)
- Time of temperature higher than 183C for 160 seconds or less
- One time soldering reflow is recommended





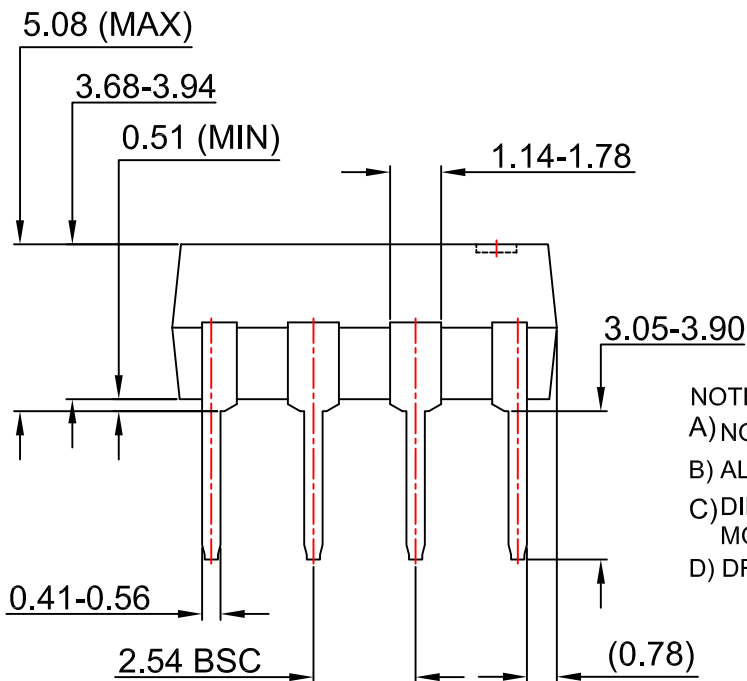
LAND PATTERN RECOMMENDATION



NOTES:

- A) NO STANDARD APPLIES TO THIS PACKAGE
- B) ALL DIMENSIONS ARE IN MILLIMETERS.
- C) DIMENSIONS ARE EXCLUSIVE OF BURRS, MOLD FLASH, AND TIE BAR EXTRUSION
- D) DWG FILENAME AND REVISION: MKT-N08Lrev2.



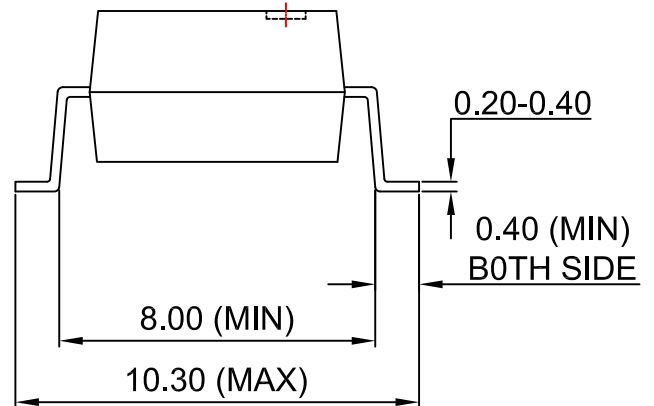


- NOTES:
 A) NO STANDARD APPLIES TO THIS PACKAGE
 B) ALL DIMENSIONS ARE IN MILLIMETERS.
 C) DIMENSIONS ARE EXCLUSIVE OF BURRS, MOLD FLASH, AND TIE BAR EXTRUSION
 D) DRAWING FILENAME AND REVISION: MKT-N08GREV7





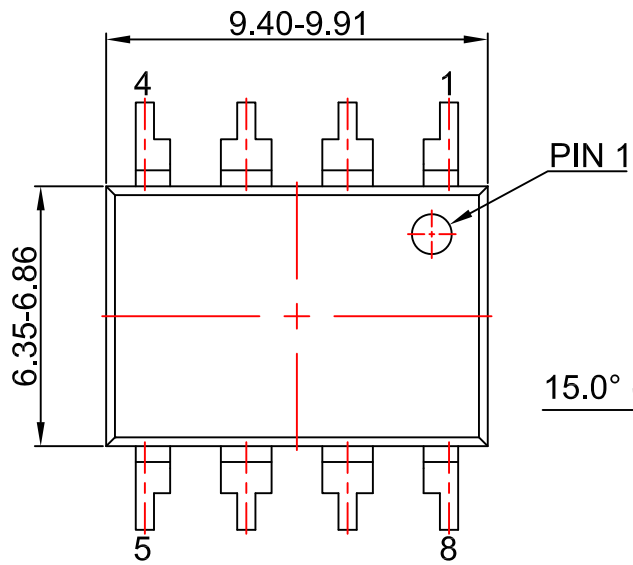
LAND PATTERN RECOMMENDATION



NOTES:

- A) NO STANDARD APPLIES TO THIS PACKAGE
- B) ALL DIMENSIONS ARE IN MILLIMETERS.
- C) DIMENSIONS ARE EXCLUSIVE OF BURRS, MOLD FLASH, AND TIE BAR EXTRUSION
- D) DRAWING FILENAME AND REVISION: MKT-N08Hrev7.





PIN 1

15.0° (MAX)

10.16 (TYP)

0.20-0.40



NOTES:

- A) NO STANDARD APPLIES TO THIS PACKAGE
- B) ALL DIMENSIONS ARE IN MILLIMETERS.
- C) DIMENSIONS ARE EXCLUSIVE OF BURRS, MOLD FLASH, AND TIE BAR EXTRUSION
- D) DRAWING FILENAME AND REVISION: MKT-N08REV7



ON Semiconductor and  are trademarks of Semiconductor Components Industries, LLC dba ON Semiconductor or its subsidiaries in the United States and/or other countries. ON Semiconductor owns the rights to a number of patents, trademarks, copyrights, trade secrets, and other intellectual property. A listing of ON Semiconductor's product/patent coverage may be accessed at www.onsemi.com/site/pdf/Patent-Marking.pdf. ON Semiconductor reserves the right to make changes without further notice to any products herein. ON Semiconductor makes no warranty, representation or guarantee regarding the suitability of its products for any particular purpose, nor does ON Semiconductor assume any liability arising out of the application or use of any product or circuit, and specifically disclaims any and all liability, including without limitation special, consequential or incidental damages. Buyer is responsible for its products and applications using ON Semiconductor products, including compliance with all laws, regulations and safety requirements or standards, regardless of any support or applications information provided by ON Semiconductor. "Typical" parameters which may be provided in ON Semiconductor data sheets and/or specifications can and do vary in different applications and actual performance may vary over time. All operating parameters, including "Typicals" must be validated for each customer application by customer's technical experts. ON Semiconductor does not convey any license under its patent rights nor the rights of others. ON Semiconductor products are not designed, intended, or authorized for use as a critical component in life support systems or any FDA Class 3 medical devices or medical devices with a same or similar classification in a foreign jurisdiction or any devices intended for implantation in the human body. Should Buyer purchase or use ON Semiconductor products for any such unintended or unauthorized application, Buyer shall indemnify and hold ON Semiconductor and its officers, employees, subsidiaries, affiliates, and distributors harmless against all claims, costs, damages, and expenses, and reasonable attorney fees arising out of, directly or indirectly, any claim of personal injury or death associated with such unintended or unauthorized use, even if such claim alleges that ON Semiconductor was negligent regarding the design or manufacture of the part. ON Semiconductor is an Equal Opportunity/Affirmative Action Employer. This literature is subject to all applicable copyright laws and is not for resale in any manner.

PUBLICATION ORDERING INFORMATION

LITERATURE FULFILLMENT:

Literature Distribution Center for ON Semiconductor
19521 E. 32nd Pkwy, Aurora, Colorado 80011 USA
Phone: 303-675-2175 or 800-344-3860 Toll Free USA/Canada
Fax: 303-675-2176 or 800-344-3867 Toll Free USA/Canada
Email: orderlit@onsemi.com

N. American Technical Support: 800-282-9855 Toll Free
USA/Canada
Europe, Middle East and Africa Technical Support:
Phone: 421 33 790 2910
Japan Customer Focus Center
Phone: 81-3-5817-1050

ON Semiconductor Website: www.onsemi.com
Order Literature: <http://www.onsemi.com/orderlit>
For additional information, please contact your local
Sales Representative