



**Mallory Sonalert Products, Inc.**

Part #: **JT028-R-CD**

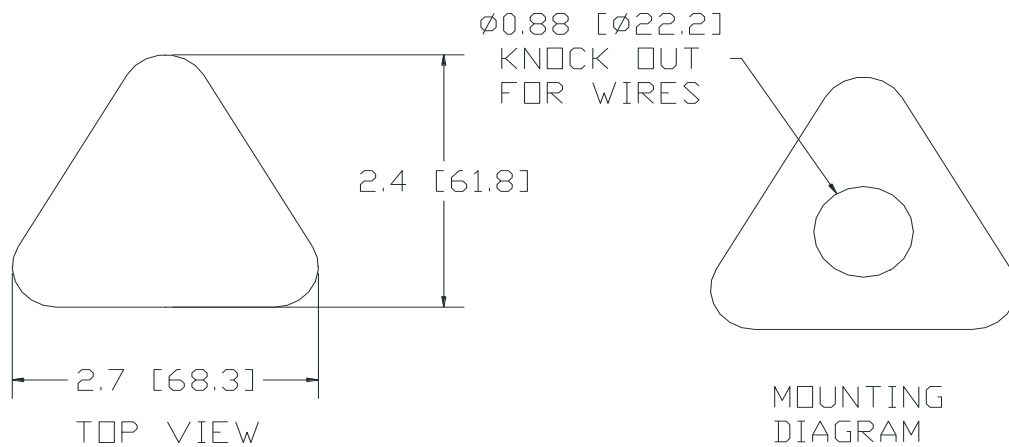
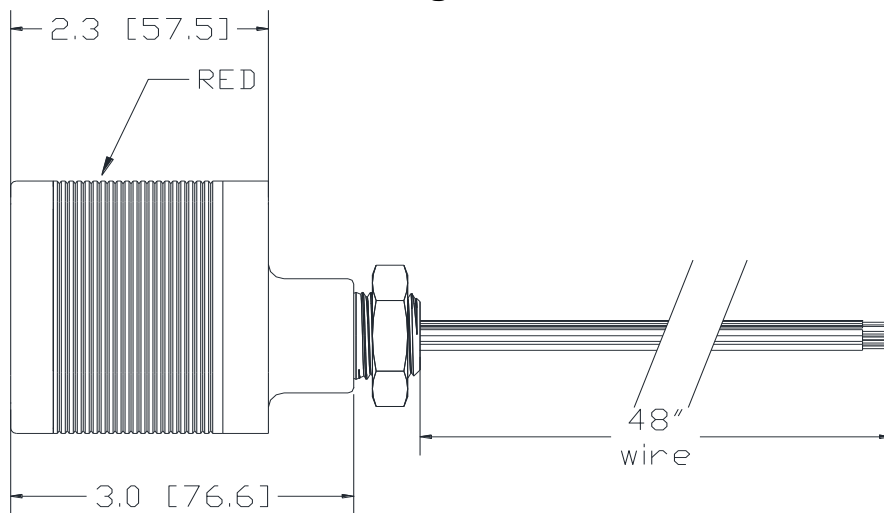
**Sales Outline Drawing**

Revision: **2**

**Specifications:**

Stack Number:	1				
LED Color:	RED				
Connection Wires:	Red and Brown				
LED Current Draw:	<50mA				
Rated Voltage:		24 VAC/DC			
Operating Voltage:		20-28 VAC/DC			
Total Max Current:		<50mA			
Operating Temperature:		-25° ~ +60°C			
Lens Color:		Opaque White			
Material:		ABS FR15U			
Mounting Method:		Direct Mount using 1/2" NPT Stainless Steel Pipe and Nut			
Weight Typical (g):		160			
NEMA 12:		Approved			
Options:		Please contact factory.			

**Dimensions:** Inches (mm) **cUL Recognized** **ROHS Compliant**



**LED OPERATION:** CONNECT STACK COLOR WIRE TO POWER AND BROWN WIRE TO POWER.