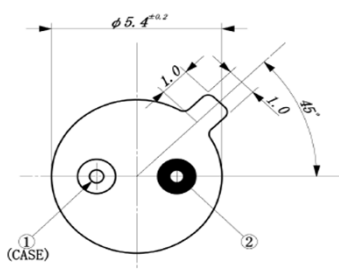
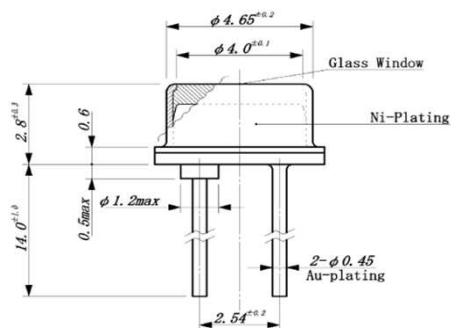


Peak Emission Wavelength: 1200nm



1- cathode, 2 -anode, all dimensions in mm,
tolerance: ±0.2

Description

- TO-46 with flat glass lens cap
- Type: InGaAs/InP, MQW
- High power
- High speed
- Wide beam angle
- High reliability

Application

- Optical switches
- Optical communication
- Safety equipment
- Automation
- Applications requiring high output and precise optical / mechanical axis alignment.

Absolute Maximum Ratings (Ta=25°C)



ITEMS	TEST CONDITIONS	SYMBOL	RATINGS	UNIT
Forward DC Current		If	100	mA
Peak Forward Current (pulse)	pulse width=10us, duty=1%	Ifp	200	mA
Reverse Voltage	Ir=100uA	Vr	5	V
Power Dissipation		Pd	100	mW
Operating Temperature Range		Top	-25 to +85	°C
Storage Temperature Range		Tst	-30 to +100	°C
Lead Soldering Temperature	t<5sec, 3mm from case	Tslg	260	°C
Junction Temperature		Tj	100	°C

Electrical & Optical Characteristics (Ta = 25°C)

ITEMS	SYMBOL	CONDITIONS	MIN	TYP	MAX	UNIT
Forward Voltage	Vf	If=20mA	--	0.9	1.0	V
Forward Voltage	Vf	If=100mA	--	1.0	1.2	V
Reverse Current	Ir	Vr=5V	--	10	--	uA
Radiant Power	Φ_e	If=100mA	--	7	--	mW
Peak Wavelength	λ_p	If=50mA	1170	1200	1230	nm
Spectral Bandwidth at 50%	$\Delta\lambda_{0.5}$	If=50mA	--	70	--	nm
Viewing Angle	φ	If=50mA	--	+/-45	--	deg
Switching Time	tr, tf	If=50mA	--	25,40	--	ns