

NHD-5.7-320240WFB-CTXI#-1

TFT (Thin-Film-Transistor) Color Liquid Crystal Display Module

NHD-	Newhaven Display
5.7-	5.7" Diagonal
320240-	320xRGBx240 Pixels
WFB-	Model
C-	Built-in Driver + Controller
T-	White LED Backlight
X-	TFT
I-	6:00 Optimal View, Wide Temp.
#-1	RoHS Compliant

Newhaven Display International, Inc.

2661 Galvin Ct.

Elgin IL, 60124

Ph: 847-844-8795

Fax: 847-844-8796

www.newhavendisplay.com

nhtech@newhavendisplay.com

nhsales@newhavendisplay.com

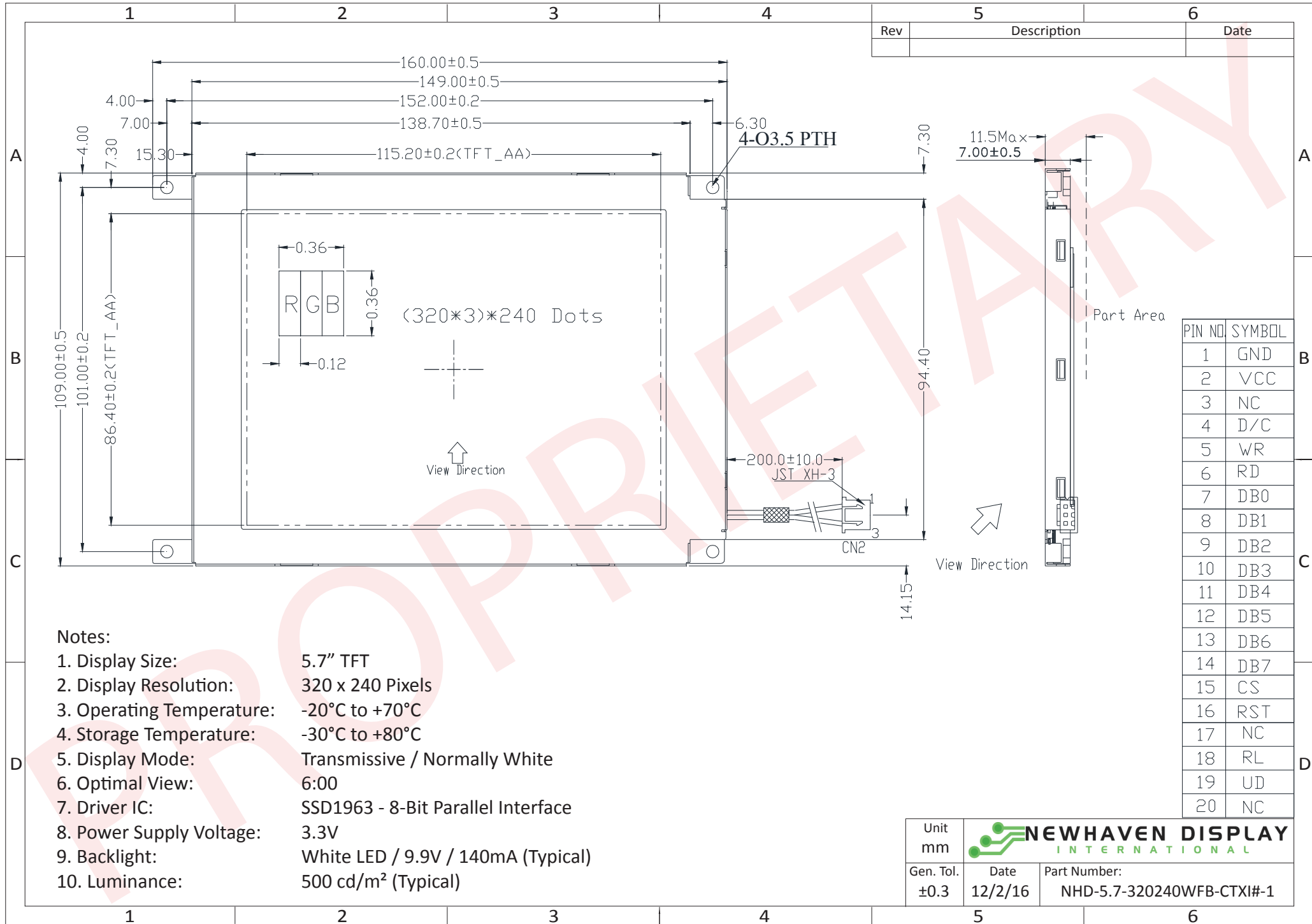
Document Revision History

Revision	Date	Description	Changed by
0	7/8/2009	Initial Release	CL
1	7/29/2009	MECHANICAL DRAWING UPDATE	CL
2	11/4/2009	Quality Information Update	BE
3	3/26/2009	Pin Description Update	MP
4	4/16/2010	Updated the Recommended LCD Connector	MC
5	12/1/2010	Mechanical Drawing Update	MC
6	2/22/2011	Symbols for Pin/electrical updated	BE
7	5/24/2011	Electrical characteristics updated	AK
8	1/6/2012	Pixel data format updated	AK
9	6/4/2012	Mechanical drawing / Optical characteristics updated	AK
10	6/8/2012	Optical characteristics updated	TJ
11	12/2/16	Updated Mech. Drawing, Electrical and Optical Characteristics	TM

Functions and Features


- 320xRGBx240 resolution
- LED backlight
- 8-bit parallel interface
- SSD1963 Controller

Mechanical Drawing

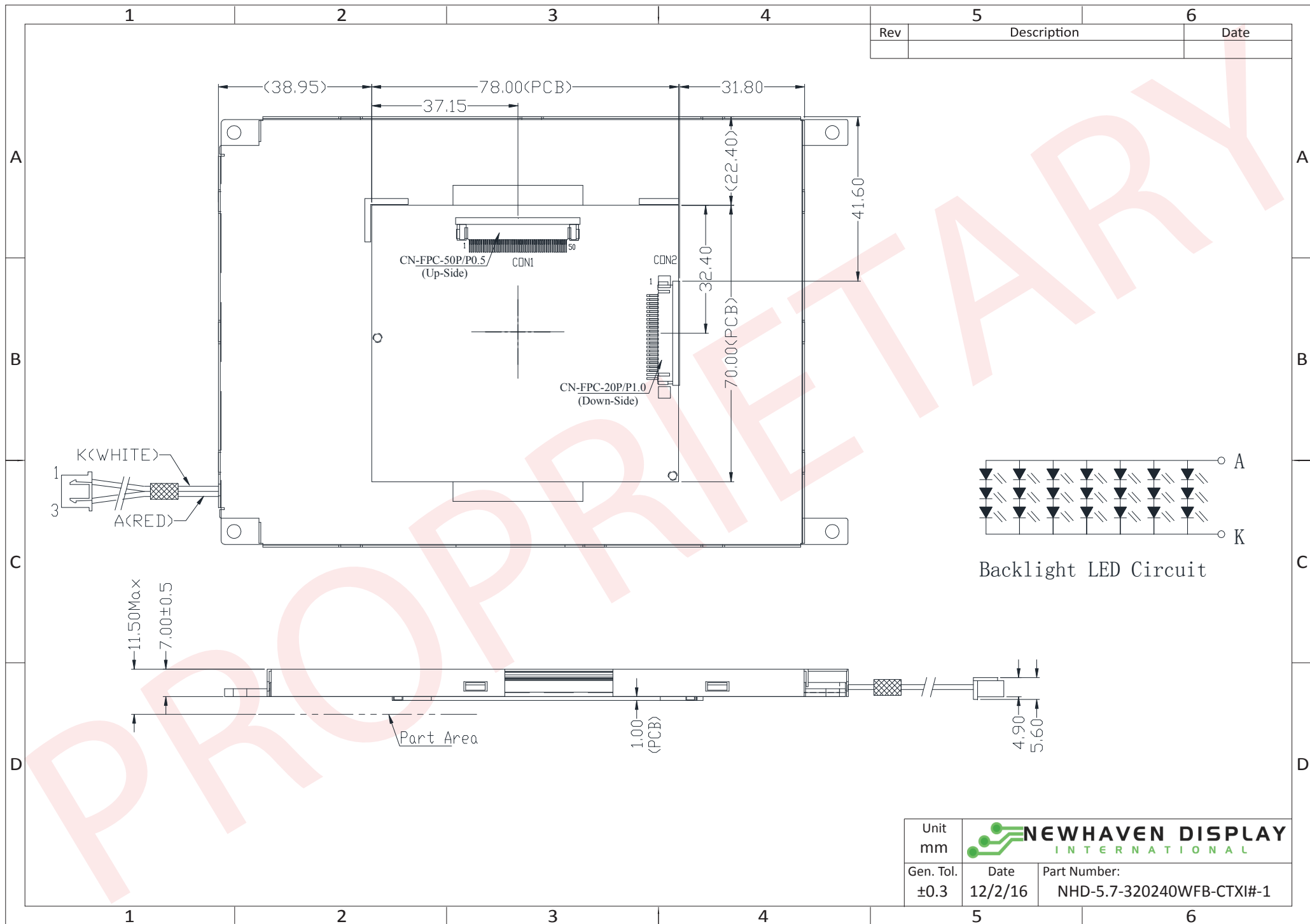


Notes:


- 1. Display Size: 5.7" TFT
- 2. Display Resolution: 320 x 240 Pixels
- 3. Operating Temperature: -20°C to +70°C
- 4. Storage Temperature: -30°C to +80°C
- 5. Display Mode: Transmissive / Normally White
- 6. Optimal View: 6:00
- 7. Driver IC: SSD1963 - 8-Bit Parallel Interface
- 8. Power Supply Voltage: 3.3V
- 9. Backlight: White LED / 9.9V / 140mA (Typical)
- 10. Luminance: 500 cd/m² (Typical)

Unit mm		
Gen. Tol. ±0.3	Date 12/2/16	Part Number: NHD-5.7-320240WFB-CTXI#-1

Mechanical Drawing



Rev	Description	Date

Unit mm	 NEWHAVEN DISPLAY INTERNATIONAL	
Gen. Tol. ±0.3	Date 12/2/16	Part Number: NHD-5.7-320240WFB-CTXI#-1

The information contained herein is the exclusive property of Newhaven Display International, Inc. and shall not be copied, reproduced, and/or disclosed in any format without permission.

Pin Description

CON2:

Pin No.	Symbol	External Connection	Function Description
1	GND	Power Supply	Ground
2	V _{DD}	Power Supply	Power supply for LCD and logic (3.3V)
3	NC	-	No Connect
4	D/C#	MPU	Register Select signal: 1= Data, 0=Command
5	WR#	MPU	Active LOW Write signal, 8080 MPU interface
6	RD#	MPU	Active LOW Read signal, 8080 MPU interface
7-14	[DB0-DB7]	MPU	Bi-directional data bus lines
15	CS#	MPU	Active LOW Chip Select signal
16	RES#	MPU	Active LOW Reset signal
17	NC	-	No Connect
18	R/L	-	Scan direction 1: Right (Tied internally)
19	U/D	-	Scan direction 0: Down (Tied internally)
20	NC	-	No Connect

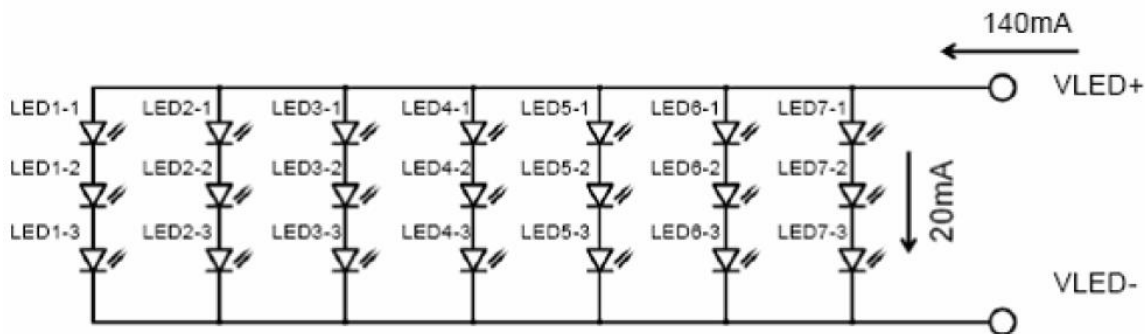
Recommended LCD connector: 1.0mm pitch 20-Conductor FFC. Molex 52271-2079

Backlight connector: JST p/n: XHP-3 **Mates with:** JST p/n: S3B-XH-SM3-TB

Backlight:

Pin No.	Symbol	External Connection	Function Description
1	V _{DD}	Power Supply	Red, LED Anode (140mA @ 9.9V)
2	NC	-	No Connect
3	GND	Power Supply	White, LED Cathode

Backlight connector: JST p/n: XHP-3 **Mates with:** JST p/n: B 3B-XH-A



Electrical Characteristics

Item	Symbol	Condition	Min.	Typ.	Max.	Unit
Operating Temperature Range	T_{OP}	Absolute Max	-20	-	+70	°C
Storage Temperature Range	T_{ST}	Absolute Max	-30	-	+80	°C
Supply Voltage	V_{DD}	-	3.0	3.3	3.6	V
Supply Current	I_{DD}	$V_{DD} = 3.3V$	60	120	180	mA
"H" Level input	V_{IH}	-	$0.8 * V_{DD}$	-	V_{DD}	V
"L" Level input	V_{IL}	-	GND	-	$0.2 * V_{DD}$	V
"H" Level output	V_{OH}	-	-	-	-	V
"L" Level output	V_{OL}	-	-	-	-	V
Backlight Supply Voltage	V_{LED}	-	9.0	9.9	10.5	V
Backlight Supply Current	I_{LED}	$V_{LED} = 9.9V$	70	140	210	mA
Backlight Lifetime*	-	$I_{LED} = 140mA$ $T_{OP} = 25^{\circ}C$	-	50,000	-	Hrs.

*Backlight lifetime is rated as Hours until **half-brightness**, under normal operating conditions.

Optical Characteristics

Item		Symbol	Condition	Min.	Typ.	Max.	Unit
Optimal Viewing Angles	Top	$\phi Y+$	$CR \geq 10$	-	50	-	°
	Bottom	$\phi Y-$		-	70	-	°
	Left	$\theta X-$		-	70	-	°
	Right	$\theta X+$		-	70	-	°
Contrast Ratio		CR	-	150	250	-	-
Luminance		L_V	$I_{LED} = 140 mA$	-	500	-	cd/m ²
Response Time	Rise	T_R	$T_{OP} = 25^{\circ}C$	-	15	30	ms
	Fall	T_F		-	35	50	ms

Controller Information

Built-in SSD1963 Controller.

Please download specification at http://www.newhavendisplay.com/app_notes/SSD1963.pdf

8080 Mode Interface:

The 8080 mode MPU interface consists of CS#, D/C, RD#, WR#, and DB[7:0]. This interface uses WR# to define a write cycle and RD# to define a read cycle. If the WR# goes LOW when the CS# signal is LOW, the data or command will be latched into the system at the rising edge of WR#. Similarly, the read cycle will start when RD# goes LOW and end at the rising edge of RD#. See the SSD1963 datasheet for detailed timing diagrams.

Command Instructions:

See the SSD1963 datasheet for the Instruction Table and Command Descriptions.

Pixel Data Format:

Interface	Cycle	D[7]	D[6]	D[5]	D[4]	D[3]	D[2]	D[1]	D[0]
8 bits	1 st	R7	R6	R5	R4	R3	R2	R1	R0
	2 nd	G7	G6	G5	G4	G3	G2	G1	G0
	3 rd	B7	B6	B5	B4	B3	B2	B1	B0

Quality Information

Test Item	Content of Test	Test Condition	Note
High Temperature storage	Endurance test applying the high storage temperature for a long time.	+80°C , 200hrs	2
Low Temperature storage	Endurance test applying the low storage temperature for a long time.	-30°C , 200hrs	1,2
High Temperature Operation	Endurance test applying the electric stress (voltage & current) and the high thermal stress for a long time.	+70°C , 200hrs	2
Low Temperature Operation	Endurance test applying the electric stress (voltage & current) and the low thermal stress for a long time.	-20°C , 200hrs	1,2
High Temperature / Humidity Operation	Endurance test applying the electric stress (voltage & current) and the high thermal with high humidity stress for a long time.	+60°C, 90% RH, 96hrs	1,2
Thermal Shock resistance	Endurance test applying the electric stress (voltage & current) during a cycle of low and high thermal stress.	-20°C, 30min -> 25°C, 5min -> 70°C, 30min = 1 cycle For 10 cycles	
Vibration test	Endurance test applying vibration to simulate transportation and use.	10-55Hz, 1.5mm amplitude. 60 sec in each of 3 directions X,Y,Z For 15 minutes	3
Static electricity test	Endurance test applying electric static discharge.	VS=800V, RS=1.5kΩ, CS=100pF One time	

Note 1: No condensation to be observed.

Note 2: Conducted after 4 hours of storage at 25°C, 0%RH.

Note 3: Test performed on product itself, not inside a container.

Precautions for using LCDs/LCMs

See Precautions at www.newhavendisplay.com/specs/precautions.pdf

Warranty Information and Terms & Conditions

http://www.newhavendisplay.com/index.php?main_page=terms