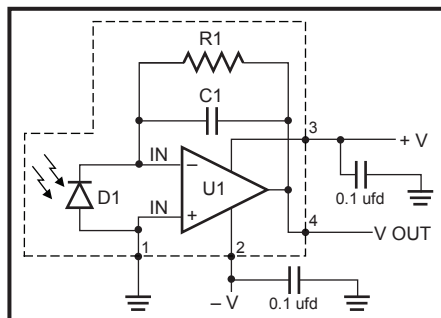


**FEATURES**

- Large active area
- Low noise
- High sensitivity
- Custom gains available
- Hermetically sealed TO-39



**ELECTRO-OPTICAL CHARACTERISTICS AT 23°C**

PARAMETERS	TEST CONDITIONS	MIN	TYP	MAX	UNITS
Dark Offset	$V_s = \pm 5 V$		1	$\pm 2$	mV
Dark Offset Noise	$V_s = \pm 5$ BW = 0.1 to 135 Hz		283	500	$\mu V$ rms
Sensitivity	$V_s = \pm 5 V$ $\lambda = 940 \text{ nm}$	290	315		V/ $\mu W$
Frequency Response (-3 db)	$V_s = \pm 5 V$ $\lambda = 940 \text{ nm}$	100	130		Hz
NEP	$\lambda = 940 \text{ nm}$		0.06		pW/ $\sqrt{\text{Hz}}$
Transimpedance Gain			500		M $\Omega$
Supply Current			850	950	$\mu A$

**ABSOLUTE RATINGS**

Voltage Supply Range +V to -V*	5 to 15V
Power Dissipation	15 mW
Storage and Operating Temperature	-25° to +100° C
Soldering Temperature (1/16" from case for 3 seconds max)	+260° C

\* Voltage supply across the device requires a minimum of 5V to a maximum of 15V from +V to -V.



1260 Calle Suerte, Camarillo, California 93012  
 Phone: (805) 499-0335, Fax: (805) 499-8108  
 Email: sales@optodiode.com, Website: www.optodiode.com

