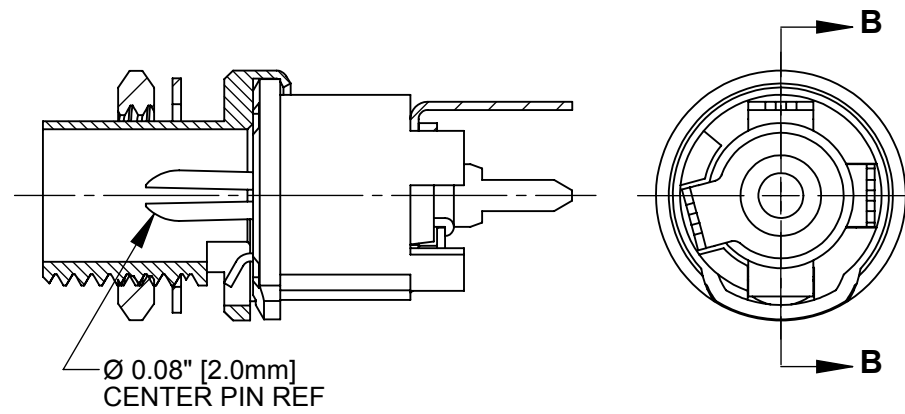
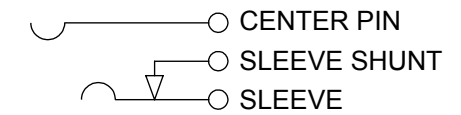


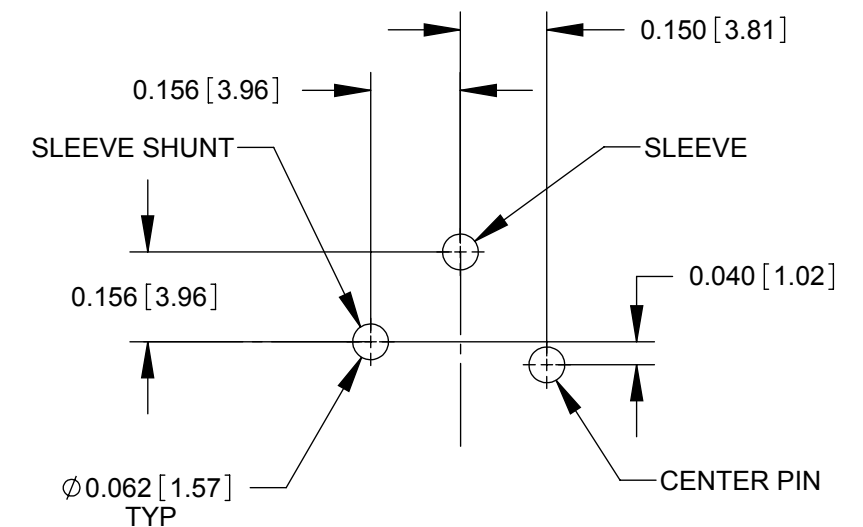
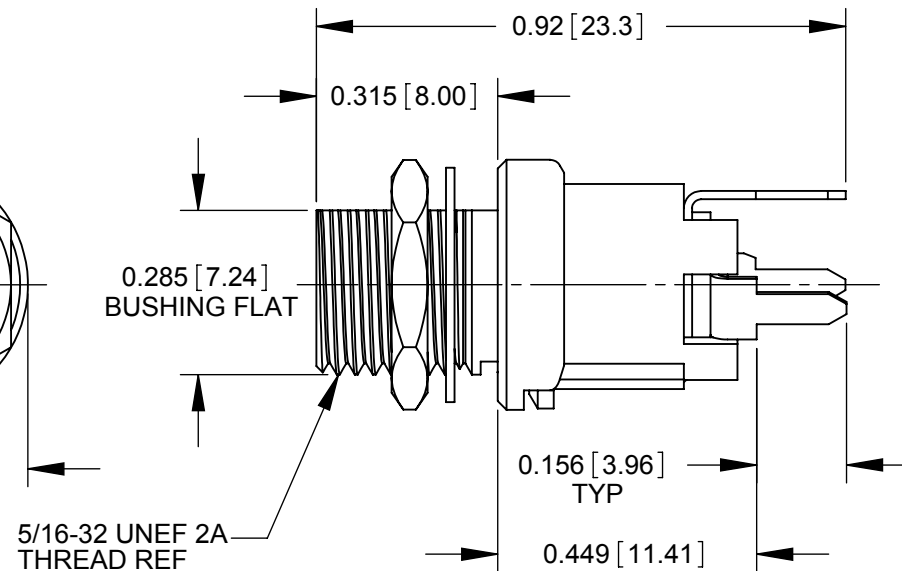
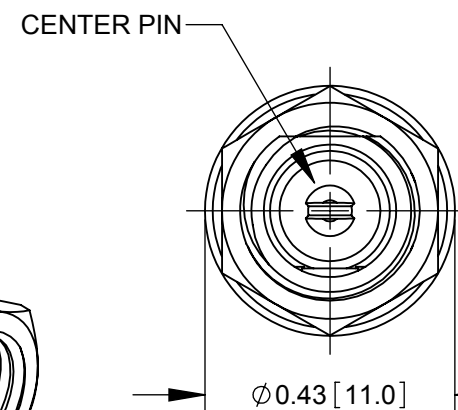
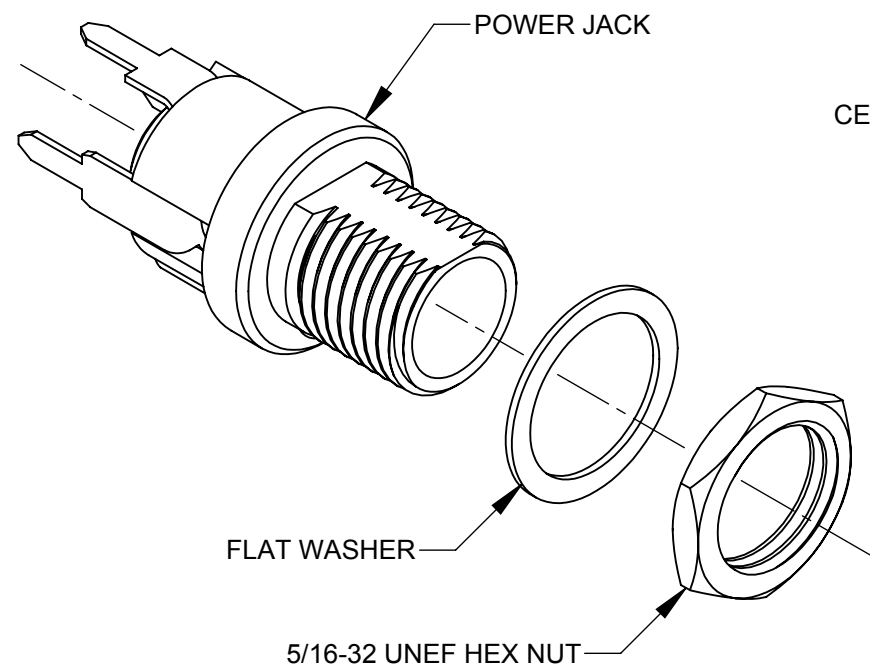
PCL712AH



PCL722AH



SCHEMATIC



**RECOMMENDED PCB LAYOUT
(COMPONENT SIDE)**

NOTES:

1. DIMENSIONS SHOWN FOR REFERENCE ONLY.
2. HEX NUT AND FLAT WASHER SUPPLIED UNASSEMBLED.
3. MATERIAL:
HOUSING, HEX NUT - COPPER ALLOY, NICKEL PLATED
INSULATOR HOUSING - THERMOPLASTIC
TERMINAL INSULATORS - PHENOLIC
FLAT WASHER - STEEL, NICKEL PLATED
PIN, SPRING, TERMINALS - COPPER ALLOY, SILVER PLATED
4. THESE PRODUCTS ARE RoHS COMPLIANT

PRELIMINARY

CUSTOMER DRAWING

REV	ECO NUMBER	DATE	BY	APVD
0A	PDR 15004	6/28/16	PNK	SRC
REVISIONS				

UNLESS OTHERWISE SPECIFIED

1. ALL DIMENSIONS IN INCHES
- TWO PLACE DECIMALS ±0.02
- THREE PLACE DECIMALS ±0.005

DO NOT SCALE DRAWING

THIS DRAWING DESCRIBES A DESIGN CONSIDERED PROPRIETARY IN NATURE, DEVELOPED AND MANUFACTURED BY SWITCHCRAFT INC. AND IS RELEASED ON A CONFIDENTIAL BASIS FOR IDENTIFICATION PURPOSES ONLY.									
SIZE	WIDTH	MULT	LBS/M	TEMPER					
FINISH					MATERIAL				
SPEC No.					SPEC No.				
FIRST USED ON				SCALE 3:1					
DATE DRAWN	BY	CHKD	APVD	Switchcraft®					
6/28/16	PNK	PNK	SRC	SHEET 1 OF 1					
			6/28/16				6/28/16		
NAME HT POWER JACKS					PART No.				
PCL712AH, PCL722AH, RoHS					PCL712AH PCL722AH				
					REV 0A				