

SUMMARY



Image is for illustrative purpose only

Wires

Low	0
High	0
Coax	1
Triax	0
Quad	0
Fiber	0
Fluidic	0

Download

[Request a quote](#)

[Catalog](#)

Series

Termination type	Coupler/adapter/bridge
IP rating	50
Cable Ø	0.00 - 0.00 mm
Matching parts	xxx

TECHNICAL DETAILS

Mechanics

Shell Style/Model	RAD*: Fixed coupler, nut fixing
Keying	Circular (can rotate)
Housing Material	Brass (chrome plated) shell and collet nut, nickel plated brass latch sleeve and mid pieces
Cable Fixing	∅ 0 - 0 mm
Variant	

Performance

Configuration	0.25 : 1 Coax (50 Ohm)
Insulator	T: PTFE
Rated Current	4 Amps

Specifications

Contact Type:	Coaxial 50 Ohm
Max. Matings:	500
Contact Retention:	18 N
Contact Dia.:	0.7 mm (0.03in)
Vtest:	2100 V (AC), 3000 V (DC)
□	
Impedance:	50 Ohm
VSWR:	1.09 + 0.11 * f /GHz

Others

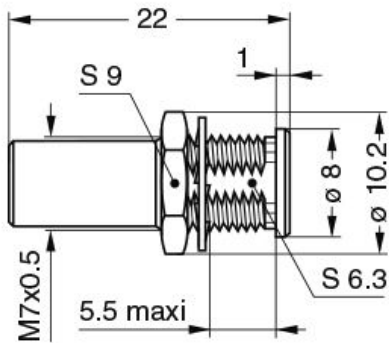
Endurance (Shell): 5000 mating cycles

F ret (min): 100 N

IP Rating: 50

DRAWINGS

Draws



Dimensions

	A	B	E	L	M	S1	S2	e
mm.	8	10.3	5.5	22	1	6.3	9	M7x0.5
in.	0,31	0,41	0,22	0,87	0,04	0,25	0,35	

RECOMMENDED BY LEMO

Tools

Crimp Tool: DPC.91.701.V

Cables