

φ172mm

San Ace 172



General Specifications

- Material Frame: Aluminum, Impeller: Plastics (Flammability: UL94V-1)
- Expected Life Refer to specifications (L10:Survival rate:90% at 60°C ,
rated voltage, and continuously run in a free air state)
- Lead Wire ⊕red ⊖black or blue (Sensor) yellow
- Storage Temperature -30°C to +70°C (Non-condensing)

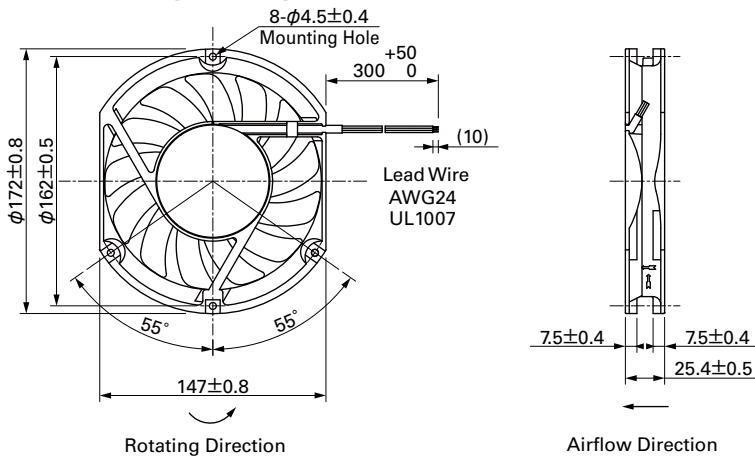
φ172mm × 147mm × 25mm (Mass : 500g) **9E type Sidecut type**

Specifications The following nos. have pulse sensors.

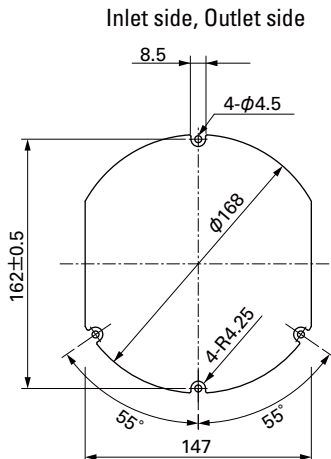
| Model No. | Rated Voltage [V] | Operating Voltage Range [V] | Rated Current [A] | Rated Input [W] | Rated Speed [min ⁻¹] | Max. Airflow [m ³ /min] [CFM] | Max. Static Pressure [Pa] [inchH ₂ O] | SPL [dB(A)] | Operating Temperature [°C] | Expected Life [h] |
|--------------|-------------------|-----------------------------|-------------------|-----------------|----------------------------------|--|--|-------------|----------------------------|-------------------|
| 109E4712M401 | 12 | 10.2 to 13.8 | 1.3 | 15.6 | 2,800 | 5.2 183 | 92 0.369 | 51 | -20 to +60 | 40,000/60°C |
| 109E4712L401 | | | 1.0 | 12.0 | 2,500 | 4.6 162 | 73 0.293 | 48 | | |
| 109E4724H401 | 24 | 20.4 to 27.6 | 1.0 | 24.0 | 3,400 | 6.4 226 | 135 0.542 | 57 | | |
| 109E4724F401 | | | 0.79 | 19.0 | 3,100 | 5.8 204 | 112 0.450 | 54 | | |
| 109E4724M401 | | | 0.58 | 13.9 | 2,800 | 5.2 183 | 92 0.369 | 51 | | |
| 109E4724L401 | | | 0.44 | 10.6 | 2,500 | 4.6 162 | 73 0.293 | 48 | | |
| 109E4748S401 | 48 | 40.8 to 55.2 | 0.62 | 29.8 | 3,650 | 6.8 240 | 156 0.627 | 58 | | |
| 109E4748H401 | | | 0.52 | 25.0 | 3,400 | 6.4 226 | 135 0.542 | 57 | | |
| 109E4748F401 | | | 0.40 | 19.2 | 3,100 | 5.8 204 | 112 0.450 | 54 | | |
| 109E4748M401 | | | 0.32 | 15.4 | 2,800 | 5.2 183 | 92 0.369 | 51 | | |
| 109E4748L401 | | | 0.25 | 12.0 | 2,500 | 4.6 162 | 73 0.293 | 48 | | |

Models without sensors or with lock sensors are available as options. Please refer to the index (pp. 465 to 466).

Dimensions (unit: mm)



Reference Dimensions of Mounting Holes and Vent Opening (unit: mm)



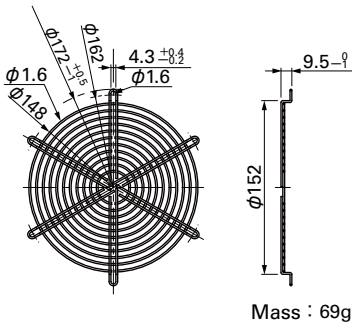
Options (unit: mm)

Finger Guards

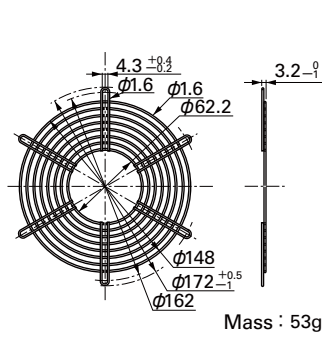
Model : 109-319E Surface treatment : Nickel-chrome plating (silver) Color : 109-319H Surface treatment : Nickel-chrome plating (silver) Color : Cation electropainting (black)

Model : 109-320 Surface treatment : Nickel-chrome plating (silver) Color

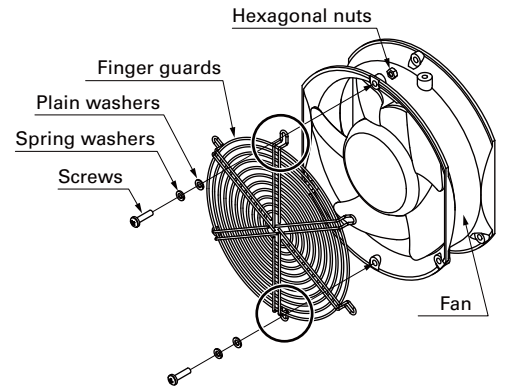
Inlet side, Outlet side



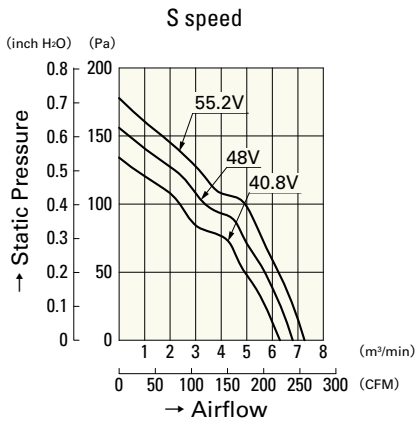
Outlet side



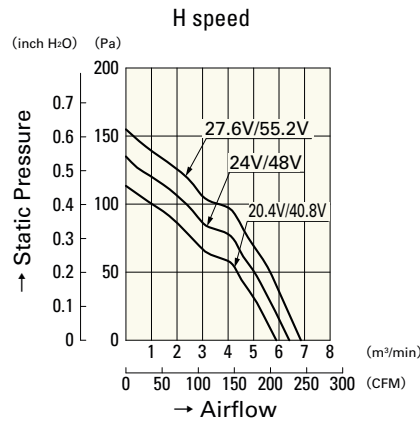
For the finger guard Model: 109-319E, 109-319H, 109-320, fix the finger guard to two holes as shown in the diagram. Do not fix it to any other holes.



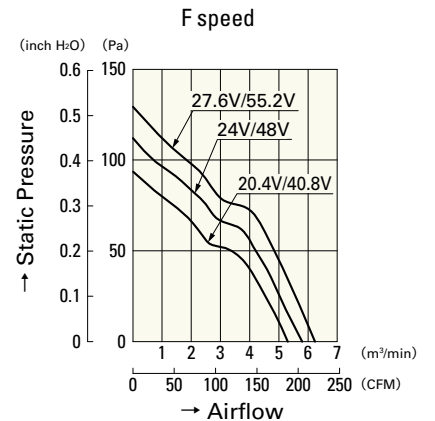
Airflow - Static Pressure Characteristics



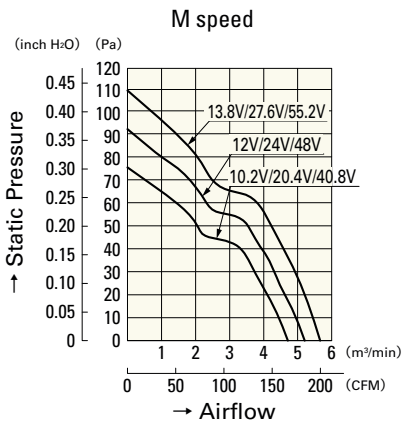
109E4748S401



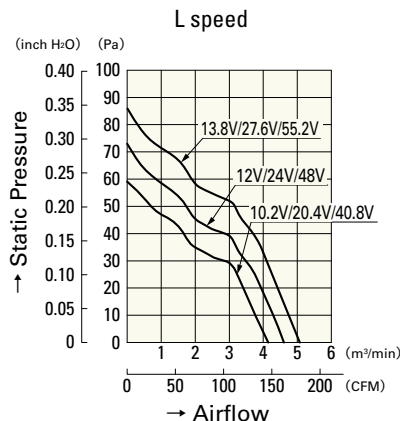
109E4724H401
109E4748H401



109E4724F401
109E4748F401



109E4712M401
109E4724M401
109E4748M401



109E4712L401
109E4724L401
109E4748L401