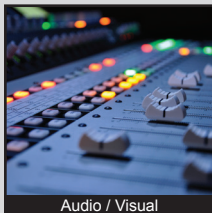


TL3265 SERIES TACT SWITCH

ANTI-VANDAL SWITCHES
 DETECTOR SWITCHES
 DIP SWITCHES
 KEYLOCK SWITCHES
 NAVIGATION SWITCHES
 PUSHBUTTON SWITCHES
 ROCKER SWITCHES
 ROTARY SWITCHES
 SLIDE SWITCHES
 SNAP ACTION SWITCHES
 TACTILE SWITCHES
 TOGGLE SWITCHES
 CAP OPTIONS



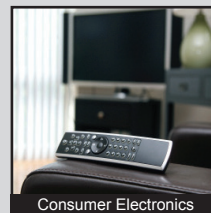
APPLICATIONS / MARKETS



Audio / Visual



Computer Peripherals



Consumer Electronics



Instrumentation



Medical Equipment



Telecommunication

RoHS

SPECIFICATIONS

Electrical Rating: 50mA @ 12VDC
Life Expectancy: 500,000 Cycles
Contact Resistance: 100mΩ Max.
Insulation Resistance: 100MΩ Min. at 500VDC
Dielectric Strength: 500VAC for 1 min.
Operating Temperature: -40°C to 85°C
Operating Force: 160 gf
Travel: 0.20mm
Function: SPST, Off-(On), Momentary

FEATURES & BENEFITS

- 500,000 cycle life expectancy
- Multiple cap options
- Surface mount design
- Illumination options

PART NUMBER CONFIGURATOR

Series	Model	LED Option	Contact Material	Cap Option	Cap Color
<input type="text" value="TL"/>	<input type="text" value="3265"/>	<input type="text" value="A"/>	<input type="text" value="Q"/>	<input type="text" value="S"/>	<input type="text" value="CLR"/>
		A - White B - Red R - Green G - Blue Y - Yellow W - White RG - Red/Green bi-color	Q - Silver	S - 5mm Diameter, Round T - 4.7mm Diameter, Round N - No Cap	* CLR - Clear

**All caps are shipped bulk*

Specifications subject to change without notice



E-SWITCH®

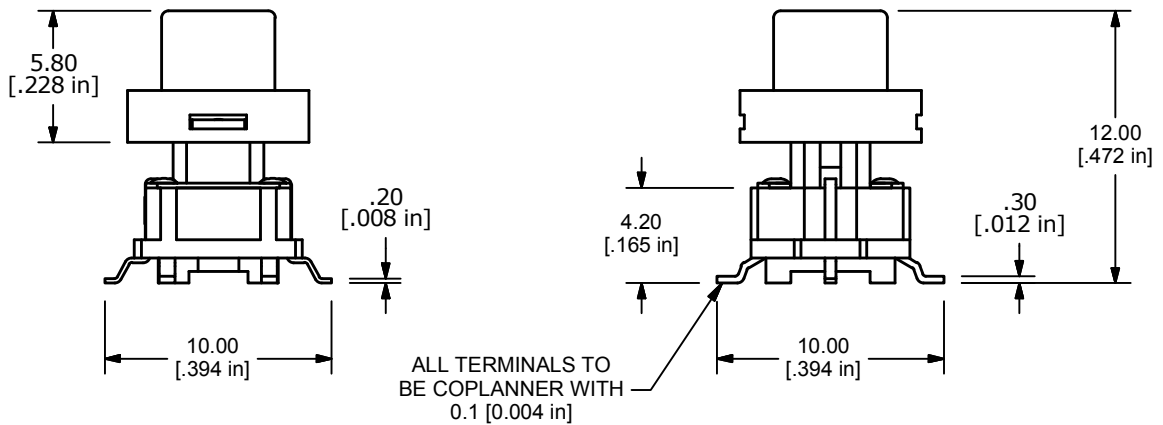
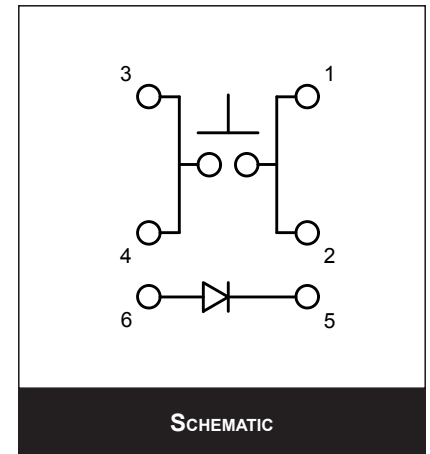
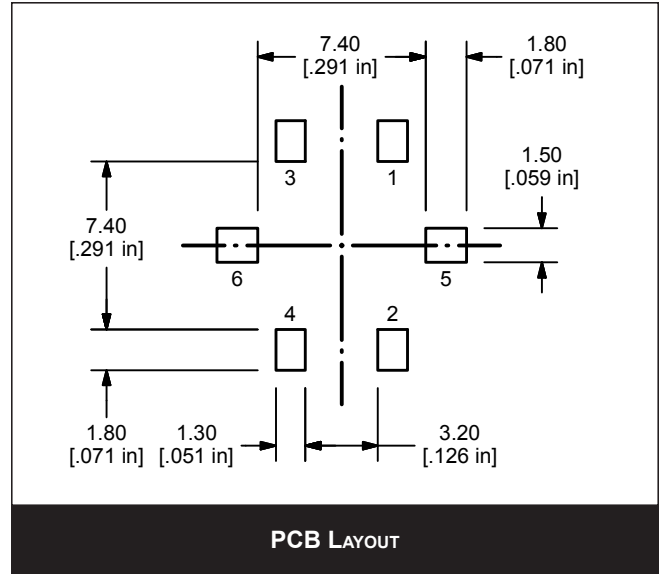
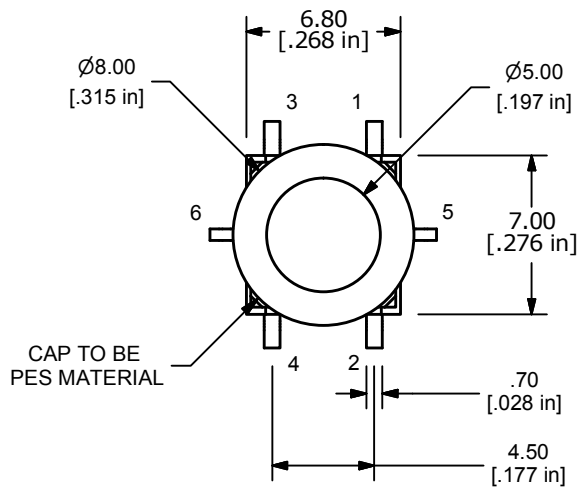
www.e-switch.com

800.867.2717

1

TL3265 SERIES TACT SWITCH

BODY DIMENSIONS/ CAP OPTION



S - CAP OPTION



E-SWITCH®

www.e-switch.com

800.867.2717

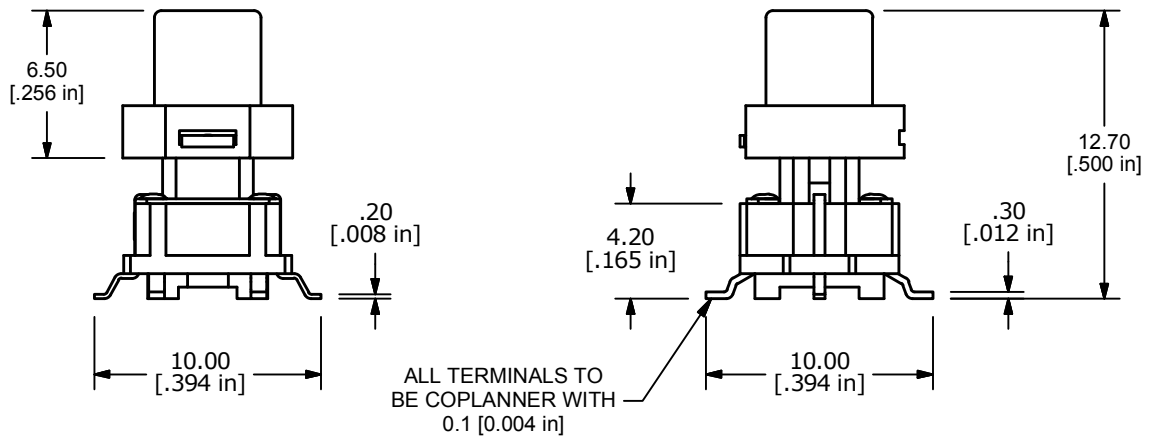
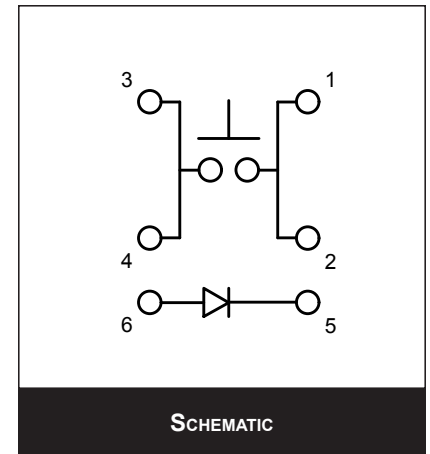
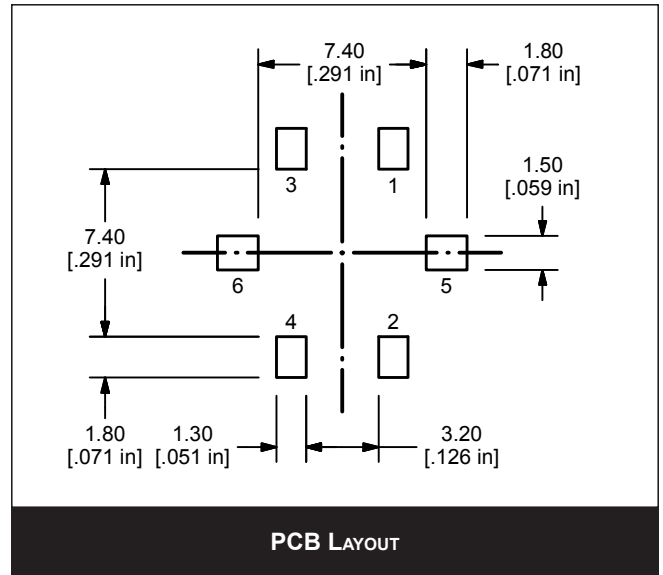
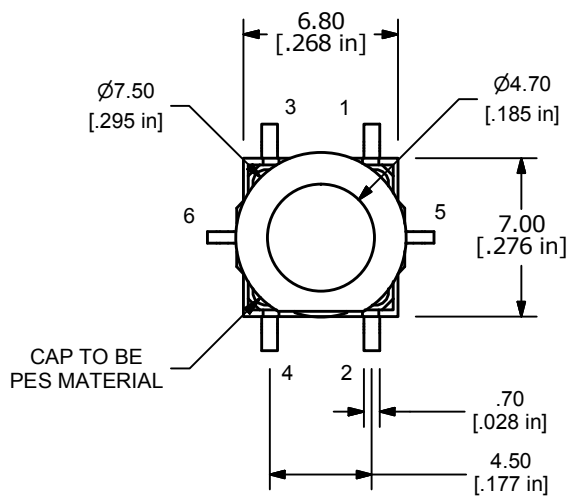
2

ANTI-VANDAL
DETECTOR
SWITCHES
DIP
KEYLOCK
NAVIGATION
PUSHBUTTON
ROCKER
ROTARY
SLIDE
SNAP ACTION
TACTILE
TOGGLE
CAP
OPTIONS

TL3265 SERIES TACT SWITCH

BODY DIMENSIONS/ CAP OPTION

- ANTI-VANDAL SWITCHES
- DETECTOR SWITCHES
- DIP SWITCHES
- KEYLOCK SWITCHES
- NAVIGATION SWITCHES
- PUSHBUTTON SWITCHES
- ROCKER SWITCHES
- ROTARY SWITCHES
- SLIDE SWITCHES
- SNAP ACTION SWITCHES
- TACTILE SWITCHES**
- TOGGLE SWITCHES
- CAP OPTIONS

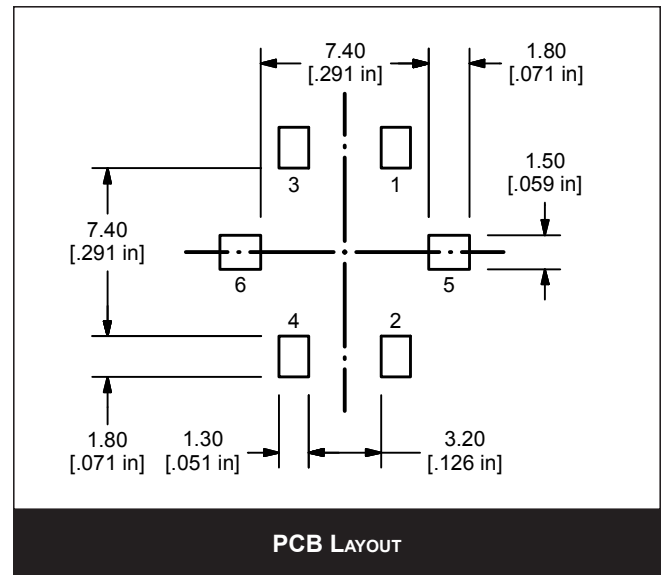
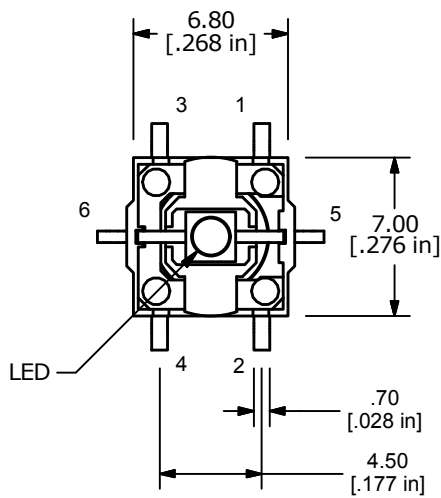


T - CAP OPTION

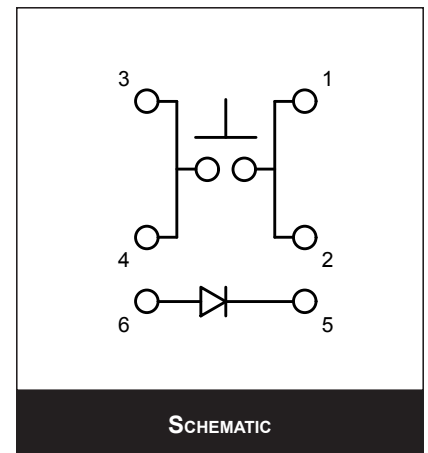


TL3265 SERIES TACT SWITCH

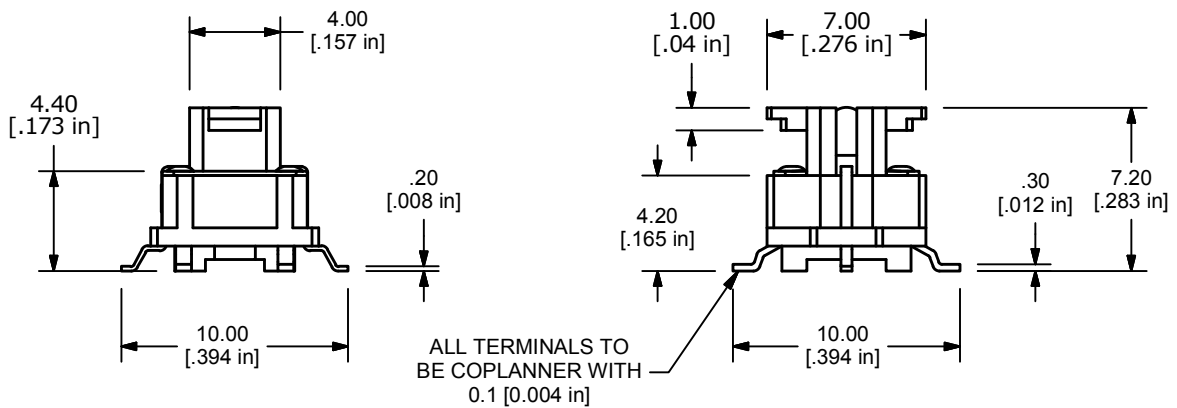
BODY DIMENSIONS/ CAP OPTION



PCB LAYOUT



SCHEMATIC



N - CAP OPTION



E-SWITCH®

www.e-switch.com

800.867.2717

4

ANTI-VANDAL SWITCHES
DETECTOR SWITCHES
DIP SWITCHES
KEYLOCK SWITCHES
NAVIGATION SWITCHES
PUSHBUTTON SWITCHES
ROCKER SWITCHES
ROTARY SWITCHES
SLIDE SWITCHES
SNAP ACTION SWITCHES
TACTILE SWITCHES
TOGGLE SWITCHES
CAP OPTIONS