

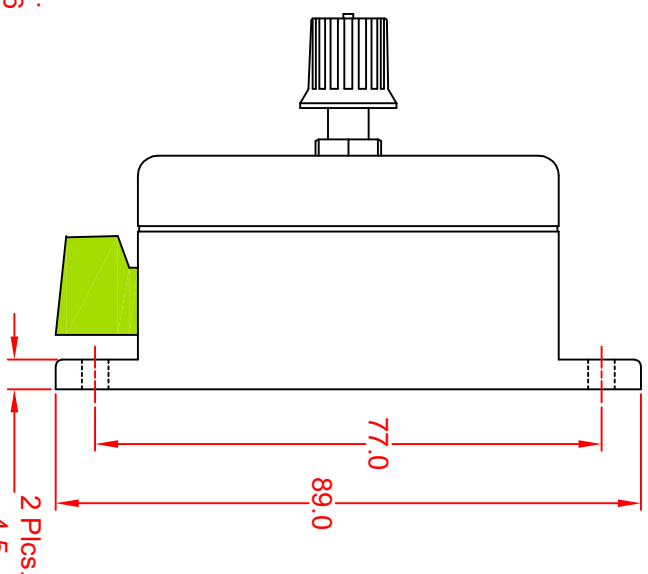
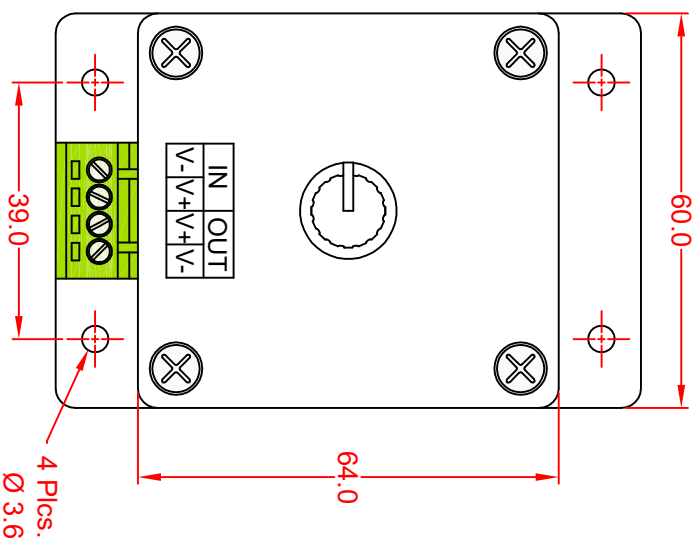
PWM LED DIMMER

FEATURES:

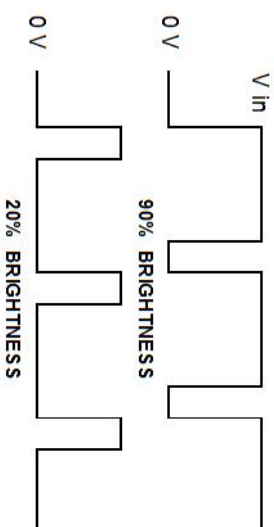
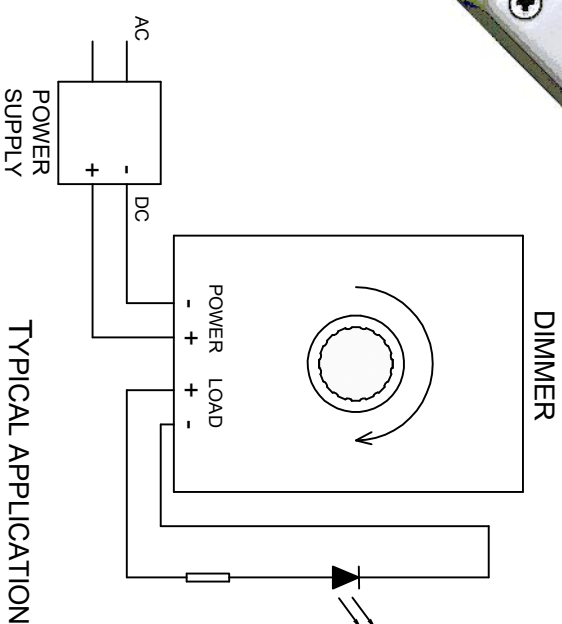
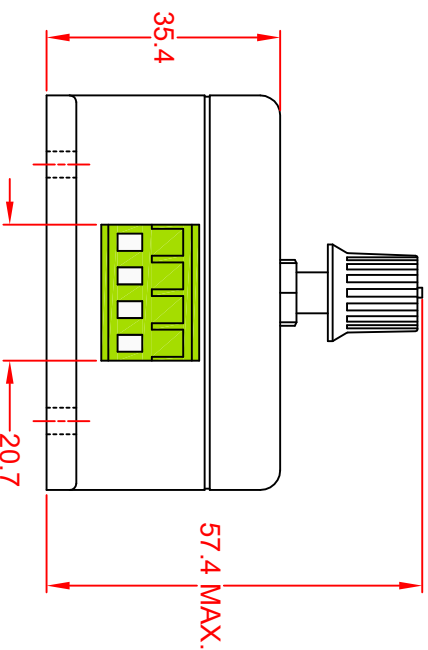
- WILL OPERATE ON 5, 6, 12 OR 24 VOLTS DC
- UP TO 8 AMPS OF AVAILABLE CURRENT DRIVE
- PULSE WIDTH MODULATED OUTPUT FOR SMOOTH TRANSITION FROM 100% TO 20% BRIGHTNESS
- OPERATION TEMPERATURE -20° C TO +60° C
- LOW POWER CONSUMPTION (LESS THAN 1 WATT)



REV.	DESCRIPTION/UNIQUE NO.	DATE
RELEASED		6/15/10
A	ADD ELECTRICAL CHART	4/14/11
B	CHANGE 24V ON ELECT. CHART	4/26/11
C	ADD FEATURES NOTE & PHOTO	6/24/13
D	ADDED DIMENSIONS	12/19/14
E	NEW PHOTO	7/19/16



Shaft Diameter - 6.0mm
Rotation Angle - 120°



JKL PART NO.: ZDM-01

METRIC		DIMENSIONS ARE IN MILLIMETERS		TITLE	
	THIRD ANGLE PROJECTION	TOLERANCE UNLESS OTHERWISE SPECIFIED	1 PL +/- REF.	JKL COMPONENTS CORPORATION	
		2 PL +/- REF.	ANGLE +/- REF.	PWM LED DIMMER	
DRAWN BY	L. WENGSTROM	APPROV'D BY	L.R.	DATE	7/19/16
SIZE	A	FSCM NO.	55335	DRAWING NO.	ZDM-01
SCALE	NOT TO SCALE	RELEASED DATE	6/15/10	REVISION DATE	7/19/16
- CAD DRAWING -		MANUAL REVISIONS NOT PERMITTED		REV. NO.	E
				SHEET	1 OF 1