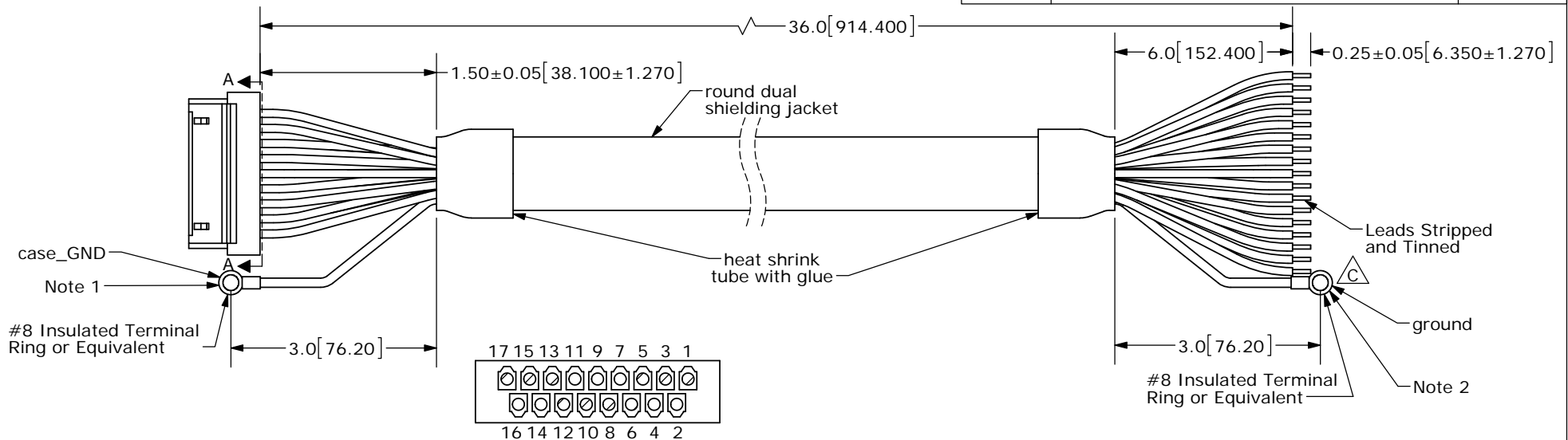
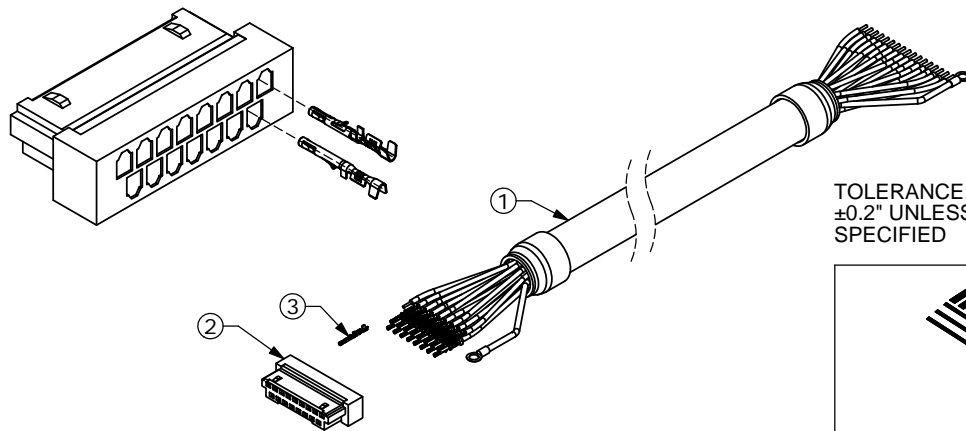


| REV. | DESCRIPTION | DATE |
|------|---------------------------------------|-----------|
| A | NEW DRAWING | 6/10/2013 |
| B | cable length changed, part# changed | 7/29/2013 |
| C | added ground wire to unterminated end | 3/4/2014 |



SECTION A-A
SCALE 3 : 1
(Back of Connector Housing)

| Connector Pinout | | | |
|------------------|----------|---------|--------|
| # | Function | Color | |
| | | Primary | Stripe |
| 1 | TX_ENC+ | Green | Red |
| 2 | RX_ENC+ | Blue | Red |
| 3 | U+ | Brown | Black |
| 4 | GND | Black | Red |
| 5 | W+ | Orange | Black |
| 6 | +5V | Red | Black |
| 7 | V+ | Red | White |
| 8 | B+ | Green | Black |
| 9 | B- | Black | Green |
| 10 | A+ | White | Black |
| 11 | A- | Black | White |
| 12 | Z+ | Blue | Black |
| 13 | Z- | Black | Blue |
| 14 | MCLR | Yellow | Black |
| 15 | W- | Black | Orange |
| 16 | V- | White | Red |
| 17 | U- | Black | Brown |



TOLERANCE:
±0.2" UNLESS OTHERWISE
SPECIFIED



NOTES 1: case_GND is connected internally to GND (black/red)
2: ground connected internally to cable shielding

| | Part | QTY | Part# |
|---|------------|-----|--------------------|
| 1 | Cable | 1 | 3M 3600B/20 |
| 2 | Connector | 1 | JAE FI-W17S |
| 3 | Crimp Pins | 17 | JAE FI-C3-A1-15000 |

20050 SW 112th Ave.
Tualatin, OR 97062
Phone: 503-612-2300
800-275-4899
Fax: 503-612-2383
Website: www.cui.com

| | |
|------------------------|--------------------|
| ITEM NO: 977-7012R | REV: C |
| PART NO: AMT-17C-1-036 | UNITS: INCHES [MM] |
| DRAWN BY: RDS | APPROVED BY: |
| SCALE: | |

PC FILE NAME:
AMT-17C-1-036

COPYRIGHT 2013 BY CUI INC.