

# Over-Voltage and Over-Current Charger Protection IC With Integrated Charging FET and LDO Mode

Check for Samples: [bq24351](#)

## FEATURES

- **Robust Protection**
  - Input Over-Voltage Protection
  - Input Over-Current Protection
  - Accurate Battery Over-Voltage Protection
  - Thermal Shutdown
  - Output Short-Circuit Protection
- **Integrated Charging FET**
- **10.5V Over-Voltage Protection**
- **LDO Mode Operation**
  - 6.38V Output Voltage Regulation
- **Current Limited Power Supply for Host**

## Controller

- **Soft-Start to Prevent Inrush Currents**
- **Soft-Stop to Prevent Voltage Spikes**
- **30V Maximum Input Voltage**
- **Supports Up to 1A Load Current**
- **Small 2mm x 2mm 8pin SON Package**

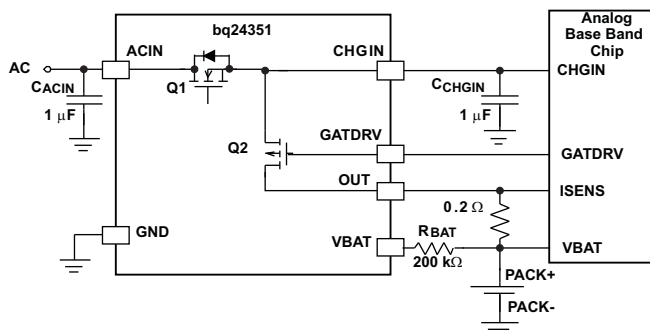
## APPLICATIONS

- **Mobile Phones**
- **Low-Power Handheld Devices**

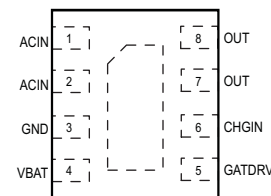
## DESCRIPTION

The bq24351 is a highly integrated circuit designed to provide protection to Li-ion batteries from failures of the charging circuit. The IC continuously monitors the input voltage and the battery voltage. In case of an input over-voltage condition, the IC will turn off the internal power FET after a blanking time. If the battery voltage rises to unsafe levels during charging process, power is removed from the system. If the input current exceeds the over current threshold for a limited time, the IC will turn off the output power. The integrated charging FET can regulate the charge voltage and current according to the control from the host. The device can also provide a voltage source with over voltage and over current protection for host controller.

**TYPICAL APPLICATION CIRCUIT**



**PIN ASSIGNMENT**



Please be aware that an important notice concerning availability, standard warranty, and use in critical applications of Texas Instruments semiconductor products and disclaimers thereto appears at the end of this data sheet.

PowerPAD is a trademark of Texas Instruments.

PRODUCTION DATA information is current as of publication date. Products conform to specifications per the terms of the Texas Instruments standard warranty. Production processing does not necessarily include testing of all parameters.

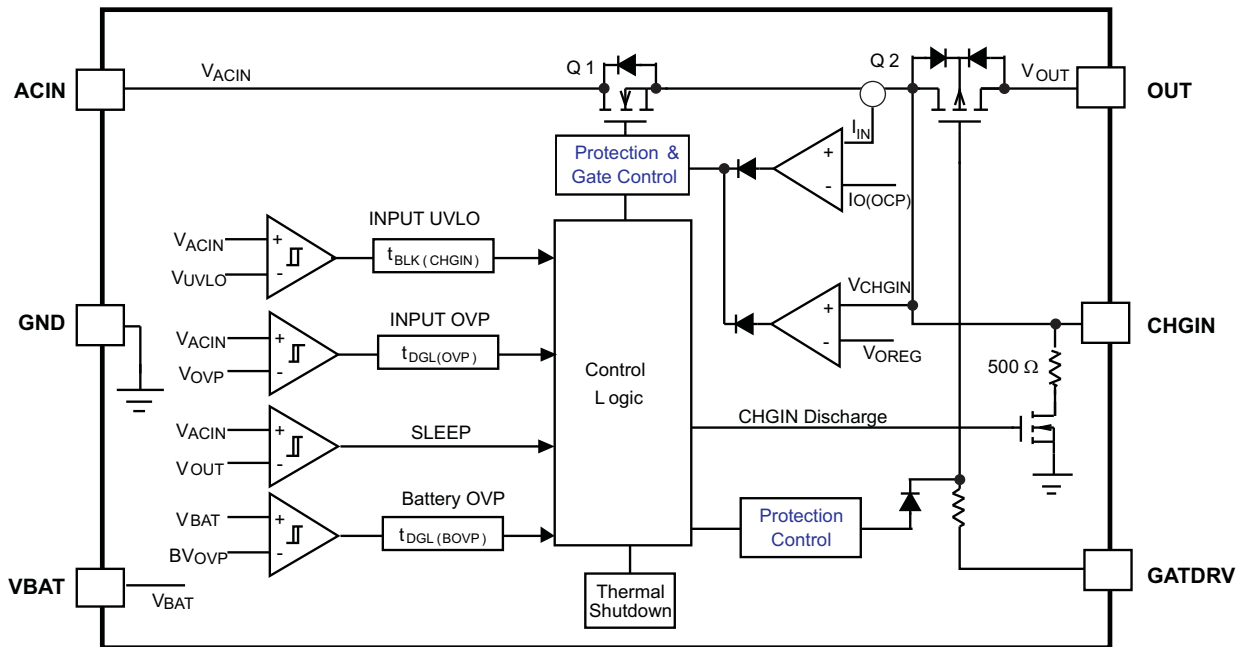
Copyright © 2010, Texas Instruments Incorporated



This integrated circuit can be damaged by ESD. Texas Instruments recommends that all integrated circuits be handled with appropriate precautions. Failure to observe proper handling and installation procedures can cause damage.

ESD damage can range from subtle performance degradation to complete device failure. Precision integrated circuits may be more susceptible to damage because very small parametric changes could cause the device not to meet its published specifications.

**SIMPLIFIED FUNCTIONAL BLOCK DIAGRAM**



**PIN FUNCTIONS**

PIN		I/O	DESCRIPTION
NAME	NO.		
ACIN	1,2	I	Power Supply Input, connect to an external DC supply. Connect an external 1-μF ceramic capacitor (minimum) to GND.
OUT	7,8	O	Output terminal to the charging system.
VBAT	4	I	Battery voltage sense input. Connected to pack positive terminal through a resistor. Connected to ground if battery OVP function is not used.
GATDRV	5	I	P-FET gate drive input , connected to gate drive pin of the host charger controller
CHGIN	6	O	Output power pin for power input of host charger controller. Connect an external ceramic bypass capacitor (1.0-μF minimum) to GND.
GND	3	-	Ground terminal
Thermal PAD			There is an internal electrical connection between the exposed thermal pad and the GND pin of the device. The thermal pad must be connected to the same potential as the GND pin on the printed circuit board. Do not use the thermal pad as the primary ground input for the device. GND pin must be connected to ground at all times.

**ORDERING INFORMATION<sup>(1)</sup>**

PART NUMBER	MARKING	MEDIUM	QUANTITY	PACKAGE	INPUT OVP THRESHOLD
bq24351DSGR	QUO	Tape and Reel	3000	2mm x 2mm SON	10.5 V
bq24351DSGT	QUO	Tape and Reel	250	2mm x 2mm SON	10.5 V

(1) For the most current package and ordering information, see the Package Option Addendum at the end of this document, or see the TI web site at [www.ti.com](http://www.ti.com).

## ABSOLUTE MAXIMUM RATINGS<sup>(1)</sup>

over operating free-air temperature range (unless otherwise noted)

		VALUE / UNIT
Input voltage	ACIN (with respect to GND)	–0.3 V to 30 V
Output voltage	OUT, CHGIN (with respect to GND)	–0.3 V to 7V
Input voltage	VBAT, GATDRV (with respect to GND)	–0.3 V to 7 V
Input current	ACIN	–1.8 A <sup>(2)</sup> to 1.4 A
Junction temperature, T <sub>J</sub>		–40°C to 150°C
Storage temperature, T <sub>STG</sub>		–65°C to 150°C

- (1) Stresses beyond those listed under absolute maximum ratings may cause permanent damage to the device. These are stress ratings only, and functional operation of the device at these or any other conditions beyond those indicated under recommended operating conditions is not implied. Exposure to absolute-maximum-rated conditions for extended periods may affect device reliability. All voltage values are with respect to the network ground terminal unless otherwise noted.
- (2) Reverse current is specified for a maximum of 50 hours at T<sub>J</sub> < 150°C.

## THERMAL INFORMATION

THERMAL METRIC <sup>(1)</sup>		bq24351	UNITS
		SON	
		8 PINS	
θ <sub>JA</sub>	Junction-to-ambient thermal resistance <sup>(2)</sup>	61.8	°C/W
θ <sub>JCtop</sub>	Junction-to-case (top) thermal resistance <sup>(3)</sup>	61.3	
θ <sub>JB</sub>	Junction-to-board thermal resistance <sup>(4)</sup>	15.4	
ψ <sub>JT</sub>	Junction-to-top characterization parameter <sup>(5)</sup>	0.4	
ψ <sub>JB</sub>	Junction-to-board characterization parameter <sup>(6)</sup>	15.4	
θ <sub>JCbot</sub>	Junction-to-case (bottom) thermal resistance <sup>(7)</sup>	8.6	

- (1) For more information about traditional and new thermal metrics, see the *IC Package Thermal Metrics* application report, [SPRA953](#).
- (2) The junction-to-ambient thermal resistance under natural convection is obtained in a simulation on a JEDEC-standard, high-K board, as specified in JESD51-7, in an environment described in JESD51-2a.
- (3) The junction-to-case (top) thermal resistance is obtained by simulating a cold plate test on the package top. No specific JEDEC-standard test exists, but a close description can be found in the ANSI SEMI standard G30-88.
- (4) The junction-to-board thermal resistance is obtained by simulating in an environment with a ring cold plate fixture to control the PCB temperature, as described in JESD51-8.
- (5) The junction-to-top characterization parameter, ψ<sub>JT</sub>, estimates the junction temperature of a device in a real system and is extracted from the simulation data for obtaining θ<sub>JA</sub>, using a procedure described in JESD51-2a (sections 6 and 7).
- (6) The junction-to-board characterization parameter, ψ<sub>JB</sub>, estimates the junction temperature of a device in a real system and is extracted from the simulation data for obtaining θ<sub>JA</sub>, using a procedure described in JESD51-2a (sections 6 and 7).
- (7) The junction-to-case (bottom) thermal resistance is obtained by simulating a cold plate test on the exposed (power) pad. No specific JEDEC standard test exists, but a close description can be found in the ANSI SEMI standard G30-88.

## RECOMMENDED OPERATING CONDITIONS

		MIN	MAX	UNITS
V <sub>ACIN</sub>	ACIN voltage range	4.4	15	V
I <sub>ACIN</sub>	Current, ACIN pin		1	A
T <sub>J</sub>	Junction temperature	–40	125	°C

## ELECTRICAL CHARACTERISTICS

Refer to the typical application circuit shown in [Figure 1](#). These specifications apply over ACIN = 5V, T<sub>J</sub> = -40 to 125°C, unless otherwise specified. Typical values are at T<sub>J</sub> = 25°C.

PARAMETER		TEST CONDITIONS	MIN	TYP	MAX	UNIT
<b>ACIN</b>						
V <sub>UVLO</sub>	Under-voltage lock-out threshold	ACIN: 3V → 2V, ACIN falling	1.8	1.95	2.1	V
		ACIN: 2V → 3V, ACIN rising	2.5			
t <sub>BLK(CHGIN)</sub>	Input power on blanking time	ACIN rising to CHGIN rising	10			ms
I <sub>DD</sub>	Operating current	No load on OUT and CHGIN pin	500			μA
<b>INPUT TO OUTPUT CHARACTERISTICS</b>						
	On resistance from ACIN to OUT	I <sub>OUT</sub> = 1.0A, ACIN = 5V, GATDRV = 0V	415	685		mΩ
	On resistance from ACIN to CHGIN	I <sub>CHGIN</sub> = 1.0A, ACIN = 5V, I <sub>OUT</sub> = 0A	250	495		mΩ
<b>INPUT OVER-VOLTAGE PROTECTION (OVP)</b>						
V <sub>OREG</sub>	CHGIN voltage in LDO mode	ACIN = 7.1V, GATDRV = CHGIN, I <sub>CHGIN</sub> = 0 to 1A	6.25	6.38	6.52	V
V <sub>OVP</sub>	Input OVP threshold	ACIN rising	10.2	10.5	10.8	V
V <sub>HYS-OVP</sub>	Input OVP recovery hysteresis	ACIN: 12V → 9V	145	160	175	mV
t <sub>DGL(OVP)</sub>	Input OVP deglitch time	ACIN rising to CHGIN falling	256			μs
t <sub>REC(OVP)</sub>	Input OVP recovery time	ACIN falling below V <sub>OVP</sub> to CHGIN rising	8.2			ms
<b>INPUT OVER CURRENT LIMITING AND PROTECTION (OCP)</b>						
I <sub>O(OCP)</sub>	OCP threshold		1.02	1.2	1.38	A
t <sub>DGL(OCP)</sub>	OCP blanking time		176			μs
t <sub>REC(OCP)</sub>	OCP recovery time		131			ms
<b>BATTERY OVER-VOLTAGE PROTECTION</b>						
BV <sub>OVP</sub>	Battery OVP threshold	VBAT rising	4.3	4.35	4.4	V
V <sub>HYS-BOVP</sub>	Battery OVP hysteresis	VBAT falling	200	250	300	mV
I <sub>VBAT</sub>	VBAT pin leakage current	VBAT = 4.25V, series connection of a 200-kΩ resistor, T <sub>J</sub> = 25°C	10			nA
t <sub>DGL(BOVP)</sub>	Battery OVP deglitch time	VBAT rising to CHGIN falling	8.2			ms
t <sub>REC(BOVP)</sub>	Battery OVP recovery time	VBAT falling below BV <sub>OVP</sub> to CHGIN rising	131			ms
<b>CHGIN</b>						
V <sub>SEXIT</sub>	Sleep mode exit threshold and CHGIN turn on threshold, ACIN-OUT	ACIN rising, OUT = 4.2 V	24	90	160	mV
V <sub>SENTRY</sub>	Sleep mode entry threshold and CHGIN turn off threshold, ACIN-OUT	ACIN falling, OUT = 4.2 V	10	55	105	mV
I <sub>DDSLP</sub>	Sleep mode supply current	OUT = 4.2 V, GATDRV = 4.2 V, ACIN = VSS	10			μA
R <sub>DIS</sub>	CHGIN discharge resistor		500			Ω
	Leakage current from OUT to CHGIN	OUT = 4.2 V, GATDRV = 4.2 V, CHGIN = 0 V, ACIN = 0 V, T <sub>J</sub> = 85°C	1			μA
<b>INTEGRATED P-FET PARAMETERS</b>						
V <sub>t</sub>	Threshold voltage, CHGIN-GATDRV	CHGIN = 5V, OUT = 3.6V, I <sub>OUT</sub> = 10mA	500	680	800	mV
I <sub>g</sub>	GATDRV pin leakage current		0.1			1 μA
I <sub>off</sub>	Off state leakage current at OUT pin	ACIN = 5V, GATDRV = CHGIN, OUT = 0V	1			μA
R <sub>onp</sub>	On resistance of P-FET (from CHGIN to OUT)	I <sub>OUT</sub> = 1.0A, ACIN = 5V, GATDRV = 0V	165	225		mΩ
G <sub>m</sub>	Forward transconductance	ACIN = 5V, I <sub>OUT</sub> = 5mA, GATDRV = 3.5V	27			mA/V
C <sub>g</sub>	Input capacitance at the GATDRV pin	CHGIN = GATDRV = 5V	104			pF
<b>THERMAL PROTECTION</b>						
T <sub>J(OFF)</sub>	Thermal shutdown threshold	Junction temperature rising	140	150	160	°C
T <sub>J(OFF-HYS)</sub>	Thermal shutdown hysteresis	Junction temperature falling	20			°C

### TYPICAL APPLICATION CIRCUIT

ACIN = 5V, ICHARGE = 1A, VBAT = 4.2V

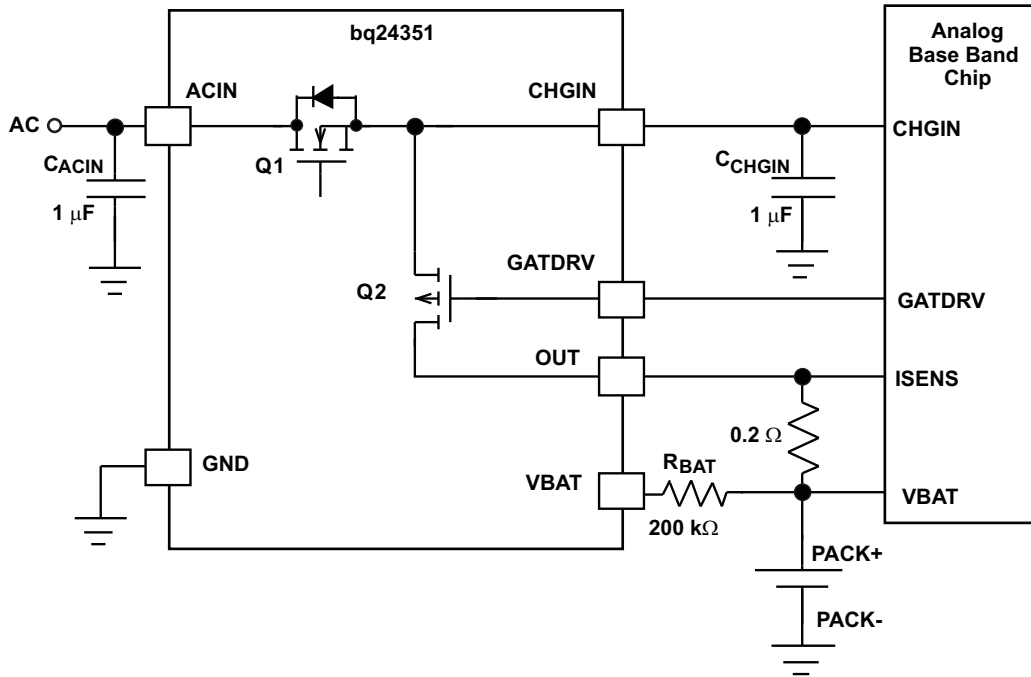


Figure 1. Host Controlled One-Cell Charger Application Circuit

### TYPICAL PERFORMANCE CHARACTERISTICS

Using circuit shown in typical application circuit [Figure 1](#),  $T_A = 25^\circ\text{C}$ , unless otherwise specified.

#### ACIN RAMP UP

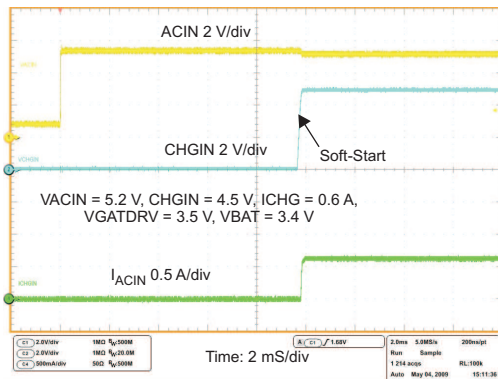


Figure 2.

#### ACIN RAMP DOWN

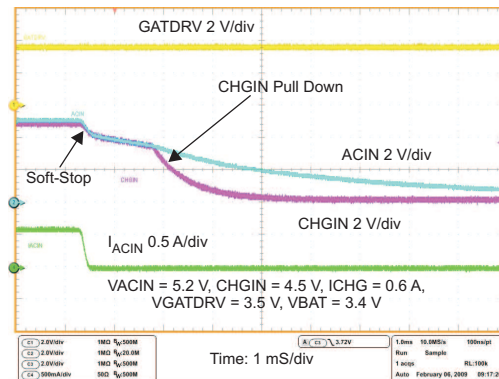


Figure 3.

**TYPICAL PERFORMANCE CHARACTERISTICS (continued)**  
**ACIN OVP (BLANKING TIME)**

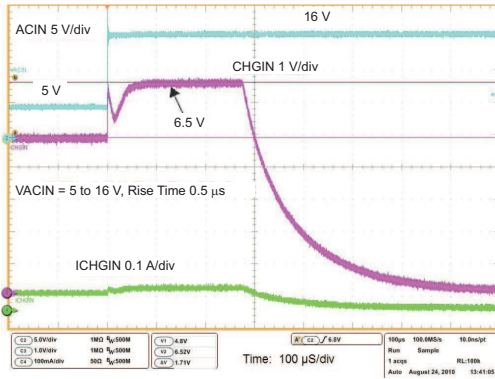


Figure 4.

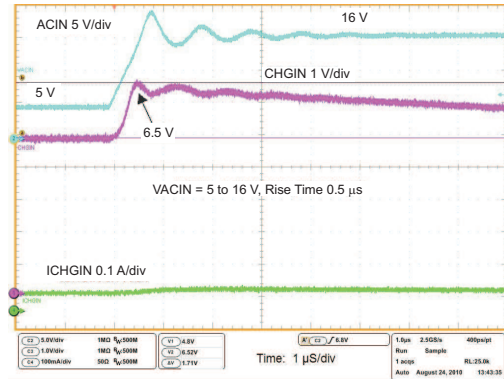


Figure 5.

**ACIN OVP**

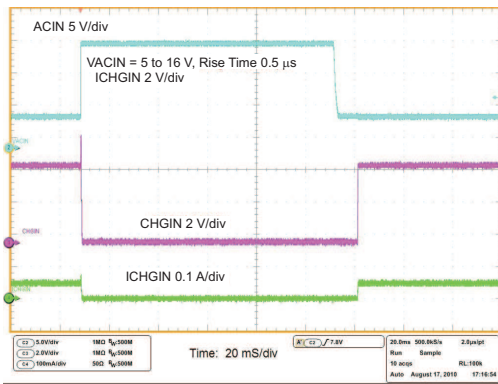


Figure 6.

**CHGIN OCP**

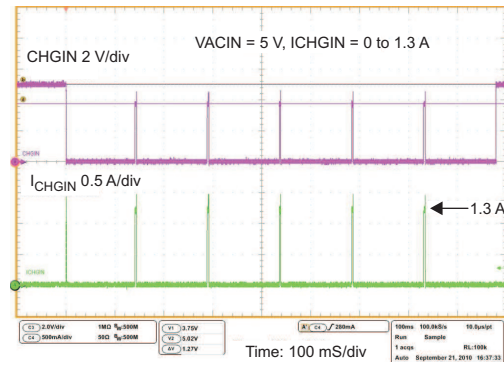


Figure 7.

**CHGIN OCP**

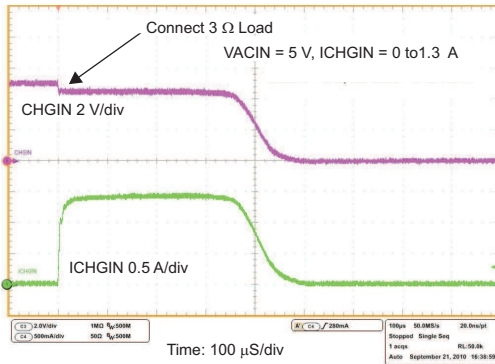


Figure 8.

**BATTERY OVP**

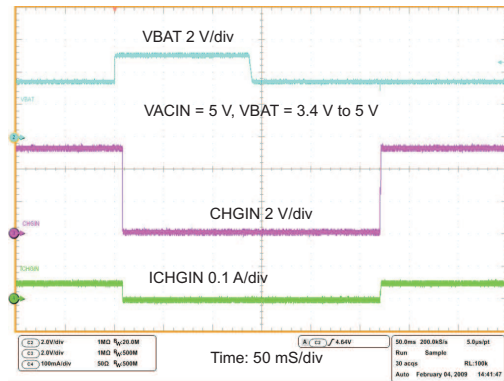


Figure 9.

**TYPICAL PERFORMANCE CHARACTERISTICS (continued)**

**BATTERY OVP**

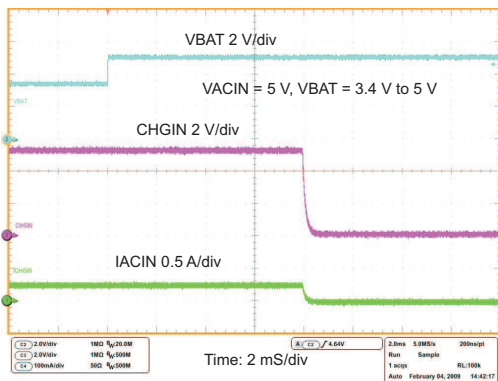


Figure 10.

**Rdson vs Vgs**

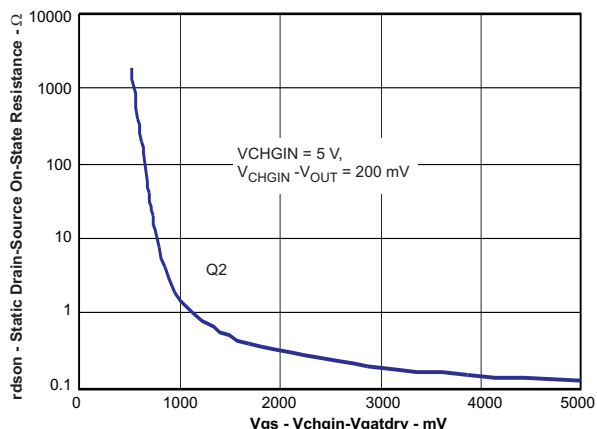


Figure 11.

**FET ON RESISTANCE vs TEMPERATURE**

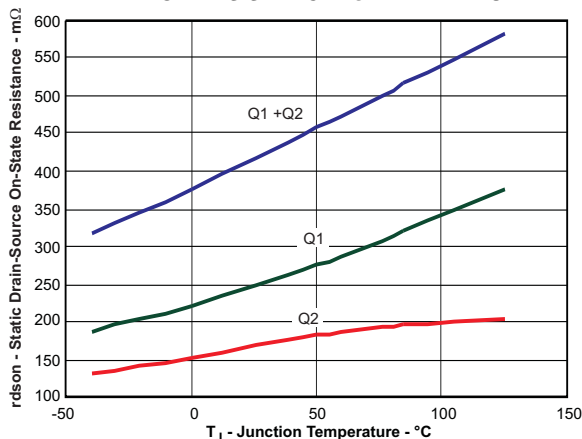


Figure 12.

**BACKGROUND**

During the charging process for portable devices, input voltage spikes usually happen when the AC/DC adaptor is plugged in, or charge current is cut off quickly under fault conditions, such as input OVP, OCP, or battery OVP and so on. The over voltage stress may damage the analog baseband chip which has lower voltage rating due to its increased complexity. Therefore, over voltage protection is needed for the safe operation of portable devices. Another challenge arises from the charge circuit that uses external charging FET in series with a reverse blocking diode as the charging device. The battery may not be fully charged when input voltage is low due to the additional diode voltage drop. bq24351 will provide the solution for above problems since it has input OVP, OCP, battery OVP function, together with integrated charging FET which will eliminate the reverse blocking diode in the previously mentioned charge circuit, as shown in Figure 1.

**DETAILED FUNCTIONAL DESCRIPTION**

The bq24351 is a highly integrated circuit designed to provide protection to Li-ion batteries from failures of the charging circuit. The IC continuously monitors the input voltage and the battery voltage. In case of an input over-voltage condition, the IC will turn off the internal power FET after a blanking time. If the battery voltage rises to unsafe levels during charging process, power is removed from the system. If the input current exceeds the over current threshold for a limited time, the IC will turn off the output power. The integrated charging FET can regulate the charge voltage and current according to the control from the host. The device can also provide a voltage source with over-voltage and over-current protection for host controller.



## POWER DOWN

The device remains in power down mode when the input voltage at the ACIN pin is below the under-voltage threshold  $V_{UVLO}$ . The FET Q1 and Q2 connected between ACIN and OUT pins are off.

## POWER-ON RESET

The device resets when the input voltage at the ACIN pin exceeds the UVLO threshold. All internal counters and other circuit blocks are reset. The IC then waits for duration  $t_{BLK(CHGIN)}$  for the input voltage to stabilize. If, after  $t_{BLK(CHGIN)}$ , the input voltage and battery voltage are in normal range, FET Q1 is turned ON. The IC has a soft-start feature to control the inrush current. The soft-start minimizes the ringing at the input, where the ringing occurs because the parasitic inductance of the adapter cable and the input bypass capacitor form a resonant circuit. Once the soft-start sequence starts, the IC monitors the load current. If the load current is larger than  $I_{O(OCF)}$  for more than  $t_{DGL(OCF)}$ , FET Q1 and Q2 are switched off. The IC then repeats the power-on sequence after  $t_{REC(OCF)}$ .

When a short-circuit is detected at power-on and Q1 is switched off, to prevent the input voltage from spiking up due to resonance between the inductance of the input cable and the input capacitor, Q1 is turned off slowly by reducing its gate-drive gradually, resulting in a “soft-stop”.

## SLEEP MODE

When ACIN falls to below sleep mode entry threshold ( $V_{SENTRY}$ ), the device operates in sleep mode and turns off Q1 and Q2 by internal circuit regardless of the gate drive signal from GARDRV pin. The device exits sleep mode when ACIN rising to above sleep mode exit threshold ( $V_{SEXIT}$ ). In this way, the device behaves like a diode and no external reverse blocking diode is needed in the application circuit.

## OPERATING

The device continuously monitors the input voltage, the input current and the battery voltage as described in detail below:

### Input Over-Voltage Protection and LDO Mode Operation

The CHGIN output of the IC operates similar to a linear regulator. Figure 13 shows the typical input OVP performance. When the ACIN input voltage is less than  $V_{O(REG)}$ , and above the  $V_{UVLO}$ , the CHGIN output voltage tracks the input voltage with a voltage drop caused by  $R_{DS(on)}$  of the protection FET Q1. When the ACIN input voltage is greater than  $V_{O(REG)}$  plus the  $R_{DS(on)}$  drop of Q1, and less than  $V_{OVP}$ , the CHGIN output voltage is regulated to  $V_{O(REG)}$ , and this is also referred as LDO mode operation. If the input voltage rises above  $V_{OVP}$ , the internal FET Q1 and Q2 are turned off after a blanking time of  $t_{DGL(OVP)}$ , removing power from the circuit. When the input voltage drops below  $V_{OVP} - V_{HYS-OVP}$ , and is still above  $V_{UVLO}$ , the FET Q1 and Q2 are turned on again after a deglitch time of  $t_{REC(OVP)}$ , which ensures that the input supply is stabilized when the IC starts up again.

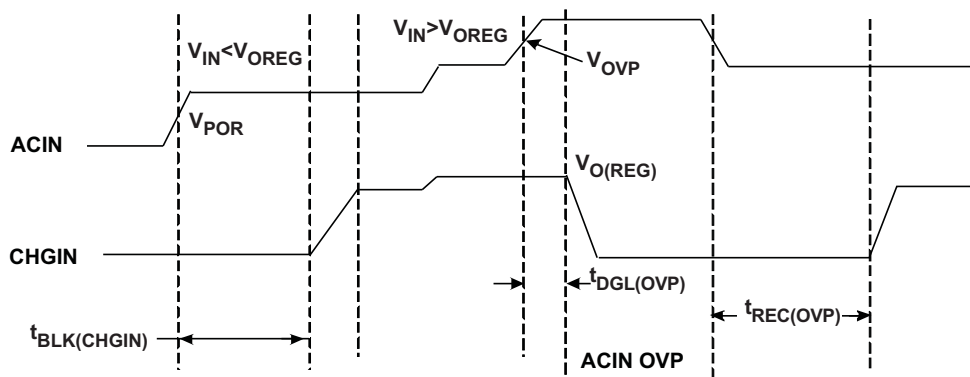


Figure 13. Input OVP Timing Diagram



## Over Current Limiting and Protection

The device includes a low drop out linear regulator. This current regulator uses Q1 as the controlling power device. Once the soft start sequence starts, the input current is limited to the Over Current Protection (OCP) threshold,  $I_{O(OC)}$ . If the input current through the IC attempts to exceed the OCP threshold, the switch Q1 is opened only enough to maintain the current at the OCP level. Once the soft start sequence ends, the input current is no longer limited and can go beyond the OCP threshold. However, if the current remains above the OCP threshold for longer than the deglitch period,  $t_{DGL(OC)}$ , both the switch Q1 and Q2 are opened completely, as shown in Figure 14. In this fault case, the switch Q1 is turned off slowly, typically taking 100  $\mu$ S.

Once the OCP feature has been activated, the switch Q1 and Q2 will remain off for the OCP recovery time,  $t_{REC(OC)}$ . Following this time the switch will turn on, using the soft start sequence. If the current through the IC remains below the OCP threshold, the switch will remain closed and normal operation resumes. If the current through the IC attempts to exceed the OCP threshold again, the operation described above repeats.

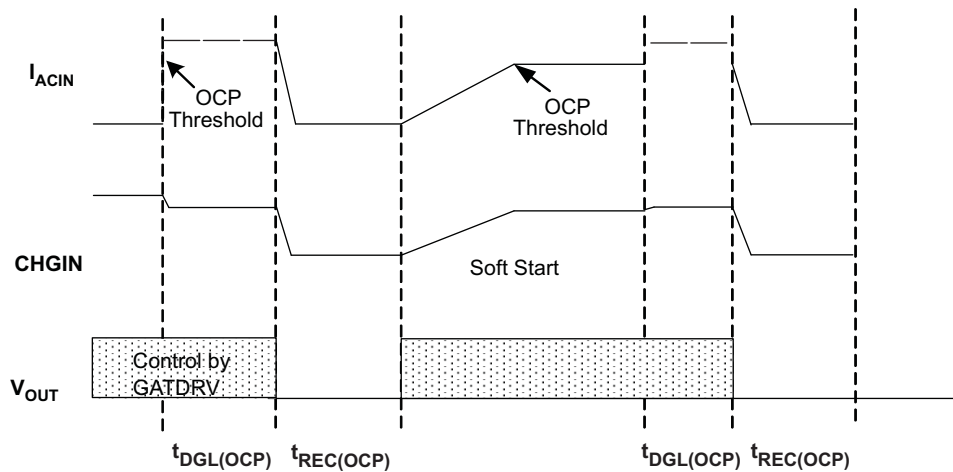


Figure 14. Charge Current OCP Timing Diagram

## Battery Over-Voltage Protection

The battery over-voltage threshold,  $BV_{OV}$ , is internally set to 4.35V. If the battery voltage exceeds the  $BV_{OV}$  threshold, the FET Q1 and Q2 are turned off after a deglitch time of  $t_{DGL(BO)}$ . The FET is turned on once the battery voltage drops to  $BV_{OV} - V_{HYS-BO}$  and remains below this threshold for  $t_{REC(BO)}$ , as shown in Figure 15. In this battery over-voltage fault case, Q1 is switched OFF gradually for a smooth transient response.

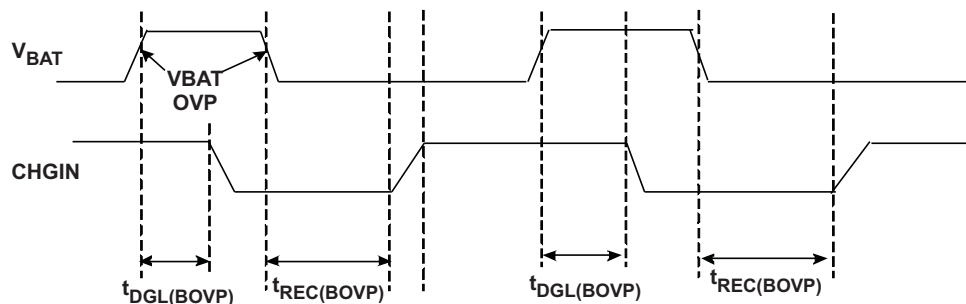


Figure 15. Battery OVP Timing Diagram

## Thermal Protection

If the junction temperature of the device exceeds  $T_{J(OFF)}$ , the FET Q1 and Q2 are turned off. The FET is turned back on when the junction temperature falls below  $T_{J(OFF)} - T_{J(OFF-HYS)}$ .

## APPLICATION INFORMATION

### Selection of $R_{BAT}$

It is strongly recommended that the battery not be tied directly to the VBAT pin of the device, as under some failure modes of the IC, the voltage at the ACIN pin may appear on the VBAT pin. This voltage can be as high as 30V, and applying 30V to the battery in case of the failure of the device can be hazardous. Connecting the VBAT pin through  $R_{BAT}$  prevents a large current from flowing into the battery in case of failure of the IC. In the interests of safety,  $R_{BAT}$  should have a very high value. The problem with a large  $R_{BAT}$  is that the voltage drop across this resistor because of the VBAT bias current  $I_{VBAT}$  causes an error in the  $BV_{OVP}$  threshold. This error is over and above the tolerance on the nominal 4.35V  $BV_{OVP}$  threshold.

Choosing  $R_{BAT}$  in the range 100k $\Omega$  to 470k $\Omega$  is a good compromise. In the case of IC failure, with  $R_{BAT}$  equal to 100k $\Omega$ , the maximum current flowing into the battery would be  $(30V - 3V) \div 100k\Omega = 270\mu A$ , which is low enough to be absorbed by the bias currents of the system components.  $R_{BAT}$  equal to 100k $\Omega$  would result in a worst-case voltage drop of  $R_{BAT} \times I_{VBAT} \approx 1mV$ . This is negligible compared to the internal tolerance of 50mV on the  $BV_{OVP}$  threshold.

If the Battery OVP function is not required, the VBAT pin should be connected to GND.

### Selection of Input and Output Bypass Capacitors

The input capacitor  $C_{ACIN}$  is for decoupling, and serves an important purpose. Whenever there is a step change downwards in the system load current, the inductance of the input cable causes the input voltage to spike up.  $C_{ACIN}$  prevents the input voltage from overshooting to dangerous levels. It is strongly recommended that a ceramic capacitor of at least 1 $\mu F$  be used at the input of the device. It should be located in close proximity to the ACIN pin.

$C_{CHGIN}$  should also be a ceramic capacitor of at least 1 $\mu F$ , located close to the CHGIN pin.  $C_{CHGIN}$  also serves as the input decoupling capacitor for the charging circuit downstream of the protection IC.

### PCB Layout Guidelines

1. This device is a protection device, and is meant to protect down-stream circuitry from hazardous voltages. Potentially, high voltages may be applied to this IC. It has to be ensured that the edge-to-edge clearances of PCB traces satisfy the design rules for the maximum voltages expected to be seen in the system.
2. The device uses SON packages with a PowerPAD™. For good thermal performance, the PowerPAD should be thermally coupled with the PCB ground plane. In most applications, this will require a copper pad directly under the IC. This copper pad should be connected to the ground plane with an array of thermal vias.
3.  $C_{ACIN}$  and  $C_{CHGIN}$  should be located close to the IC. Other components like  $R_{BAT}$  should also be located close to the IC.

---

**Changes from Original (October 2010) to Revision A****Page**

- 
- Changed title from: Over-Voltage and Over-Current Charger Front-End Protection IC With Integrated Charging FET,  
to: Over-Voltage and Over-Current Charger Protection IC With Integrated Charging FET and LDO Mode ..... 1
  - Added 10.5V Over-Voltage Protection to Features ..... 1
  - Added 6.38V Output Voltage Regulation to Features ..... 1
-

**PACKAGING INFORMATION**

Orderable Device	Status (1)	Package Type	Package Drawing	Pins	Package Qty	Eco Plan (2)	Lead/Ball Finish	MSL Peak Temp (3)	Op Temp (°C)	Top-Side Markings (4)	Samples
BQ24351DSGR	ACTIVE	WSON	DSG	8	3000	Green (RoHS & no Sb/Br)	CU NIPDAU	Level-2-260C-1 YEAR	-40 to 85	QUO	<a href="#">Samples</a>
BQ24351DSGT	ACTIVE	WSON	DSG	8	250	Green (RoHS & no Sb/Br)	CU NIPDAU	Level-2-260C-1 YEAR	-40 to 85	QUO	<a href="#">Samples</a>

(1) The marketing status values are defined as follows:

**ACTIVE:** Product device recommended for new designs.

**LIFEBUY:** TI has announced that the device will be discontinued, and a lifetime-buy period is in effect.

**NRND:** Not recommended for new designs. Device is in production to support existing customers, but TI does not recommend using this part in a new design.

**PREVIEW:** Device has been announced but is not in production. Samples may or may not be available.

**OBSOLETE:** TI has discontinued the production of the device.

(2) Eco Plan - The planned eco-friendly classification: Pb-Free (RoHS), Pb-Free (RoHS Exempt), or Green (RoHS & no Sb/Br) - please check <http://www.ti.com/productcontent> for the latest availability information and additional product content details.

**TBD:** The Pb-Free/Green conversion plan has not been defined.

**Pb-Free (RoHS):** TI's terms "Lead-Free" or "Pb-Free" mean semiconductor products that are compatible with the current RoHS requirements for all 6 substances, including the requirement that lead not exceed 0.1% by weight in homogeneous materials. Where designed to be soldered at high temperatures, TI Pb-Free products are suitable for use in specified lead-free processes.

**Pb-Free (RoHS Exempt):** This component has a RoHS exemption for either 1) lead-based flip-chip solder bumps used between the die and package, or 2) lead-based die adhesive used between the die and leadframe. The component is otherwise considered Pb-Free (RoHS compatible) as defined above.

**Green (RoHS & no Sb/Br):** TI defines "Green" to mean Pb-Free (RoHS compatible), and free of Bromine (Br) and Antimony (Sb) based flame retardants (Br or Sb do not exceed 0.1% by weight in homogeneous material)

(3) MSL, Peak Temp. -- The Moisture Sensitivity Level rating according to the JEDEC industry standard classifications, and peak solder temperature.

(4) Multiple Top-Side Markings will be inside parentheses. Only one Top-Side Marking contained in parentheses and separated by a "~" will appear on a device. If a line is indented then it is a continuation of the previous line and the two combined represent the entire Top-Side Marking for that device.

**Important Information and Disclaimer:** The information provided on this page represents TI's knowledge and belief as of the date that it is provided. TI bases its knowledge and belief on information provided by third parties, and makes no representation or warranty as to the accuracy of such information. Efforts are underway to better integrate information from third parties. TI has taken and continues to take reasonable steps to provide representative and accurate information but may not have conducted destructive testing or chemical analysis on incoming materials and chemicals. TI and TI suppliers consider certain information to be proprietary, and thus CAS numbers and other limited information may not be available for release.

In no event shall TI's liability arising out of such information exceed the total purchase price of the TI part(s) at issue in this document sold by TI to Customer on an annual basis.

**TAPE AND REEL INFORMATION**

**QUADRANT ASSIGNMENTS FOR PIN 1 ORIENTATION IN TAPE**


\*All dimensions are nominal

Device	Package Type	Package Drawing	Pins	SPQ	Reel Diameter (mm)	Reel Width W1 (mm)	A0 (mm)	B0 (mm)	K0 (mm)	P1 (mm)	W (mm)	Pin1 Quadrant
BQ24351DSGR	WSON	DSG	8	3000	179.0	8.4	2.2	2.2	1.2	4.0	8.0	Q2
BQ24351DSGT	WSON	DSG	8	250	179.0	8.4	2.2	2.2	1.2	4.0	8.0	Q2

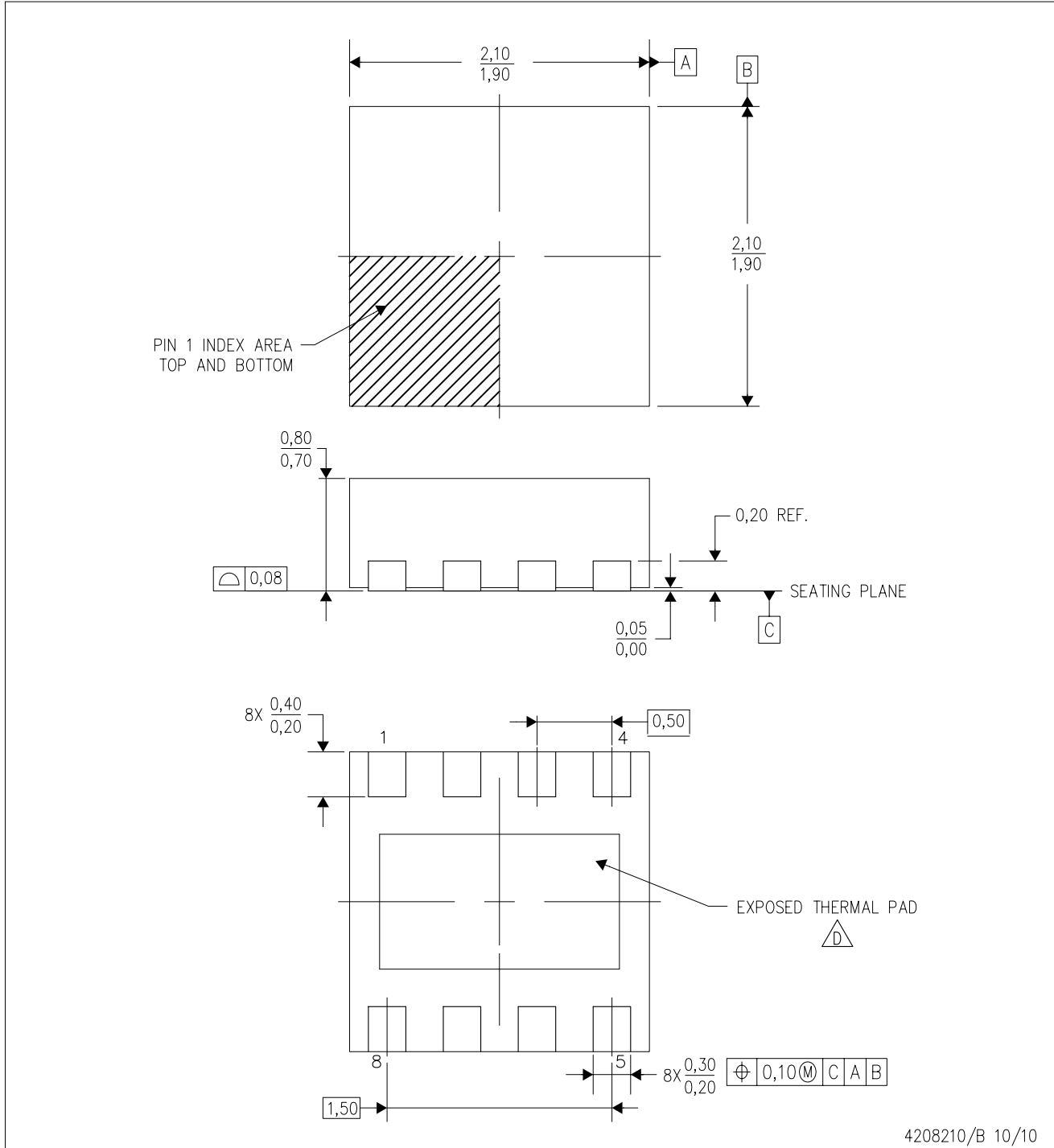
**TAPE AND REEL BOX DIMENSIONS**


\*All dimensions are nominal


Device	Package Type	Package Drawing	Pins	SPQ	Length (mm)	Width (mm)	Height (mm)
BQ24351DSGR	WSON	DSG	8	3000	195.0	200.0	45.0
BQ24351DSGT	WSON	DSG	8	250	195.0	200.0	45.0

DSG (S-PWSON-N8)

PLASTIC SMALL OUTLINE NO-LEAD



4208210/B 10/10

- NOTES:
- A. All linear dimensions are in millimeters. Dimensioning and tolerancing per ASME Y14.5M-1994.
  - B. This drawing is subject to change without notice.
  - C. Quad Flatpack, No-Leads (QFN) package configuration.
  -  The package thermal pad must be soldered to the board for thermal and mechanical performance. See the Product Data Sheet for details regarding the exposed thermal pad dimensions.
  - E. Falls within JEDEC MO-229.



## THERMAL PAD MECHANICAL DATA

DSG (S-PWSON-N8)

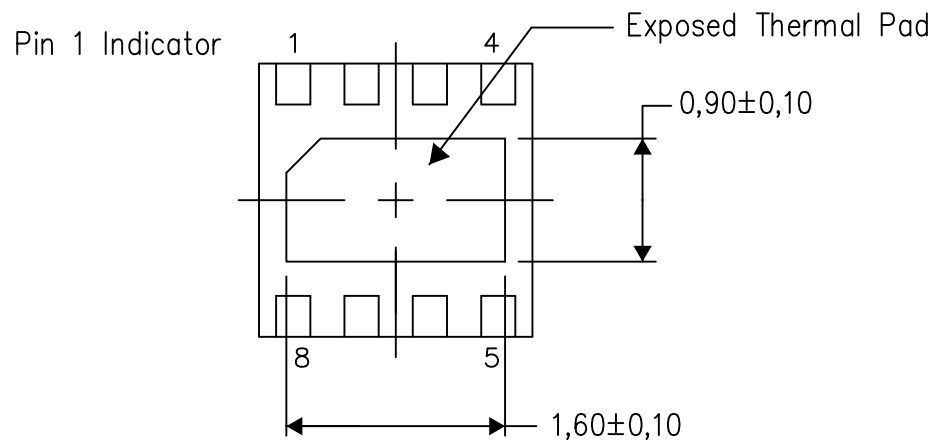
PLASTIC SMALL OUTLINE NO-LEAD

### THERMAL INFORMATION

This package incorporates an exposed thermal pad that is designed to be attached directly to an external heatsink. The thermal pad must be soldered directly to the printed circuit board (PCB). After soldering, the PCB can be used as a heatsink. In addition, through the use of thermal vias, the thermal pad can be attached directly to the appropriate copper plane shown in the electrical schematic for the device, or alternatively, can be attached to a special heatsink structure designed into the PCB. This design optimizes the heat transfer from the integrated circuit (IC).

For information on the Quad Flatpack No-Lead (QFN) package and its advantages, refer to Application Report, QFN/SON PCB Attachment, Texas Instruments Literature No. SLUA271. This document is available at [www.ti.com](http://www.ti.com).

The exposed thermal pad dimensions for this package are shown in the following illustration.

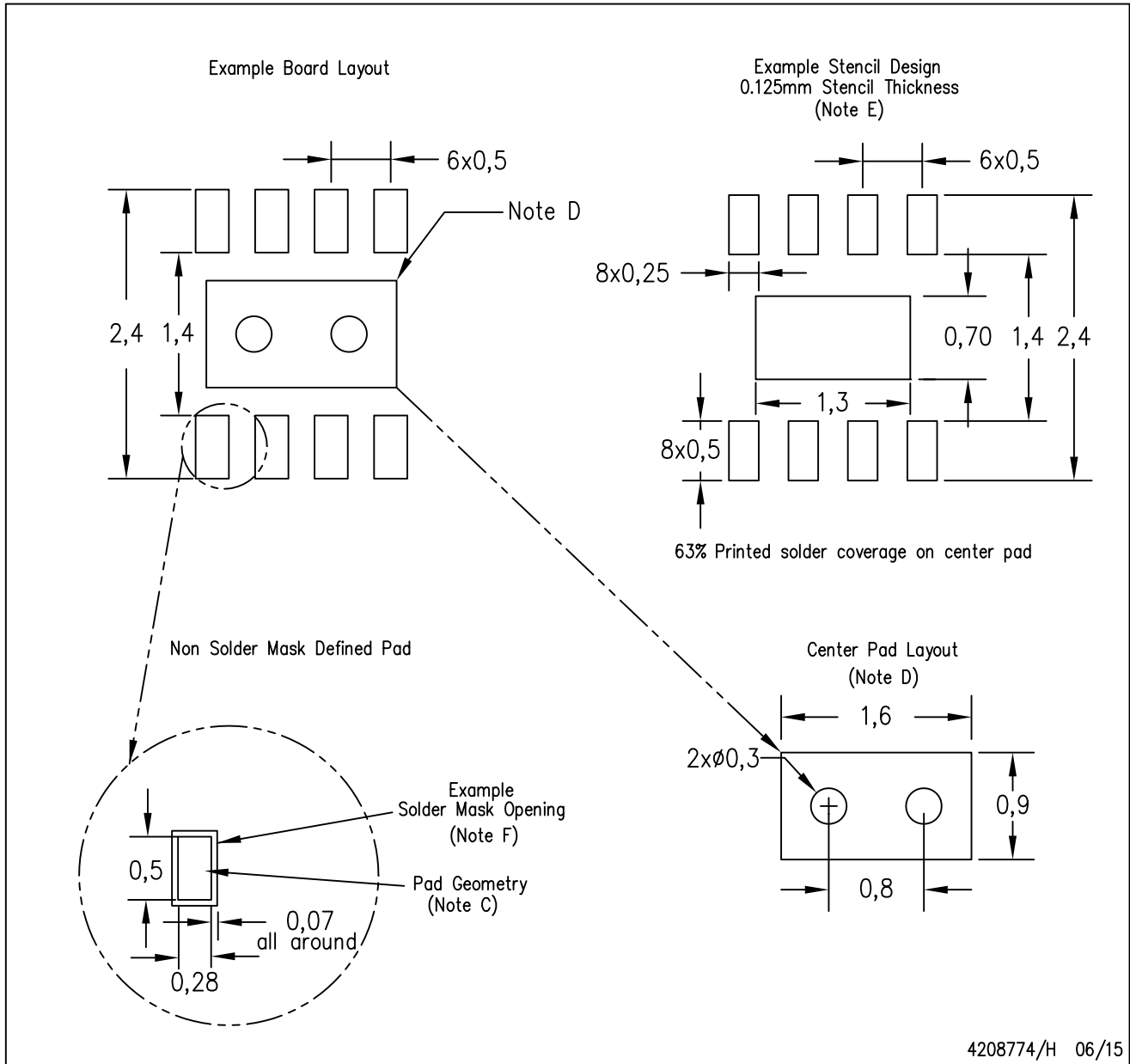


Bottom View

Exposed Thermal Pad Dimensions

4208347/1 06/15

NOTE: All linear dimensions are in millimeters



- NOTES:
- All linear dimensions are in millimeters.
  - This drawing is subject to change without notice.
  - Publication IPC-7351 is recommended for alternate designs.
  - This package is designed to be soldered to a thermal pad on the board. Refer to Application Note, QFN/SON PCB Attachment, Texas Instruments Literature No. SLUA271, and also the Product Data Sheets for specific thermal information, via requirements, and recommended board layout. These documents are available at [www.ti.com](http://www.ti.com) <<http://www.ti.com>>.
  - Laser cutting apertures with trapezoidal walls and also rounding corners will offer better paste release. Customers should contact their board assembly site for stencil design recommendations. Refer to IPC 7525 for stencil design considerations.
  - Customers should contact their board fabrication site for solder mask tolerances.

## IMPORTANT NOTICE

Texas Instruments Incorporated and its subsidiaries (TI) reserve the right to make corrections, enhancements, improvements and other changes to its semiconductor products and services per JESD46, latest issue, and to discontinue any product or service per JESD48, latest issue. Buyers should obtain the latest relevant information before placing orders and should verify that such information is current and complete. All semiconductor products (also referred to herein as "components") are sold subject to TI's terms and conditions of sale supplied at the time of order acknowledgment.

TI warrants performance of its components to the specifications applicable at the time of sale, in accordance with the warranty in TI's terms and conditions of sale of semiconductor products. Testing and other quality control techniques are used to the extent TI deems necessary to support this warranty. Except where mandated by applicable law, testing of all parameters of each component is not necessarily performed.

TI assumes no liability for applications assistance or the design of Buyers' products. Buyers are responsible for their products and applications using TI components. To minimize the risks associated with Buyers' products and applications, Buyers should provide adequate design and operating safeguards.

TI does not warrant or represent that any license, either express or implied, is granted under any patent right, copyright, mask work right, or other intellectual property right relating to any combination, machine, or process in which TI components or services are used. Information published by TI regarding third-party products or services does not constitute a license to use such products or services or a warranty or endorsement thereof. Use of such information may require a license from a third party under the patents or other intellectual property of the third party, or a license from TI under the patents or other intellectual property of TI.

Reproduction of significant portions of TI information in TI data books or data sheets is permissible only if reproduction is without alteration and is accompanied by all associated warranties, conditions, limitations, and notices. TI is not responsible or liable for such altered documentation. Information of third parties may be subject to additional restrictions.

Resale of TI components or services with statements different from or beyond the parameters stated by TI for that component or service voids all express and any implied warranties for the associated TI component or service and is an unfair and deceptive business practice. TI is not responsible or liable for any such statements.

Buyer acknowledges and agrees that it is solely responsible for compliance with all legal, regulatory and safety-related requirements concerning its products, and any use of TI components in its applications, notwithstanding any applications-related information or support that may be provided by TI. Buyer represents and agrees that it has all the necessary expertise to create and implement safeguards which anticipate dangerous consequences of failures, monitor failures and their consequences, lessen the likelihood of failures that might cause harm and take appropriate remedial actions. Buyer will fully indemnify TI and its representatives against any damages arising out of the use of any TI components in safety-critical applications.

In some cases, TI components may be promoted specifically to facilitate safety-related applications. With such components, TI's goal is to help enable customers to design and create their own end-product solutions that meet applicable functional safety standards and requirements. Nonetheless, such components are subject to these terms.

No TI components are authorized for use in FDA Class III (or similar life-critical medical equipment) unless authorized officers of the parties have executed a special agreement specifically governing such use.

Only those TI components which TI has specifically designated as military grade or "enhanced plastic" are designed and intended for use in military/aerospace applications or environments. Buyer acknowledges and agrees that any military or aerospace use of TI components which have **not** been so designated is solely at the Buyer's risk, and that Buyer is solely responsible for compliance with all legal and regulatory requirements in connection with such use.

TI has specifically designated certain components as meeting ISO/TS16949 requirements, mainly for automotive use. In any case of use of non-designated products, TI will not be responsible for any failure to meet ISO/TS16949.

### Products

Audio	<a href="http://www.ti.com/audio">www.ti.com/audio</a>
Amplifiers	<a href="http://amplifier.ti.com">amplifier.ti.com</a>
Data Converters	<a href="http://dataconverter.ti.com">dataconverter.ti.com</a>
DLP® Products	<a href="http://www.dlp.com">www.dlp.com</a>
DSP	<a href="http://dsp.ti.com">dsp.ti.com</a>
Clocks and Timers	<a href="http://www.ti.com/clocks">www.ti.com/clocks</a>
Interface	<a href="http://interface.ti.com">interface.ti.com</a>
Logic	<a href="http://logic.ti.com">logic.ti.com</a>
Power Mgmt	<a href="http://power.ti.com">power.ti.com</a>
Microcontrollers	<a href="http://microcontroller.ti.com">microcontroller.ti.com</a>
RFID	<a href="http://www.ti-rfid.com">www.ti-rfid.com</a>
OMAP Applications Processors	<a href="http://www.ti.com/omap">www.ti.com/omap</a>
Wireless Connectivity	<a href="http://www.ti.com/wirelessconnectivity">www.ti.com/wirelessconnectivity</a>

### Applications

Automotive and Transportation	<a href="http://www.ti.com/automotive">www.ti.com/automotive</a>
Communications and Telecom	<a href="http://www.ti.com/communications">www.ti.com/communications</a>
Computers and Peripherals	<a href="http://www.ti.com/computers">www.ti.com/computers</a>
Consumer Electronics	<a href="http://www.ti.com/consumer-apps">www.ti.com/consumer-apps</a>
Energy and Lighting	<a href="http://www.ti.com/energy">www.ti.com/energy</a>
Industrial	<a href="http://www.ti.com/industrial">www.ti.com/industrial</a>
Medical	<a href="http://www.ti.com/medical">www.ti.com/medical</a>
Security	<a href="http://www.ti.com/security">www.ti.com/security</a>
Space, Avionics and Defense	<a href="http://www.ti.com/space-avionics-defense">www.ti.com/space-avionics-defense</a>
Video and Imaging	<a href="http://www.ti.com/video">www.ti.com/video</a>

### TI E2E Community

[e2e.ti.com](http://e2e.ti.com)