

5

4

3

2

1

DRAWING NO.

25-7066-CUST

REVISIONS

01

OFFICIAL RELEASE

08-21-09

Y U
Y U
T H2009.09.0
Betty⁸
09.15.30
+08000

D

D



Description: F-56 W/P Gel Chromate 1/2 Ring

Part No: 25-7066

Application: For RG6 Cable

Crimp Tool: 24-7710P

Impedance: 75 Ohms

Frequency Range: 0-750 MHz

Material: Body Brass Chromate plated

Nut Brass Chromate plated

Gasket Rubber Nature

RoHS Compliance: Yes

Technical Detail: Refer to Emerson Document P/N 25-0000

受控 CONTROLLED DOCUMENT

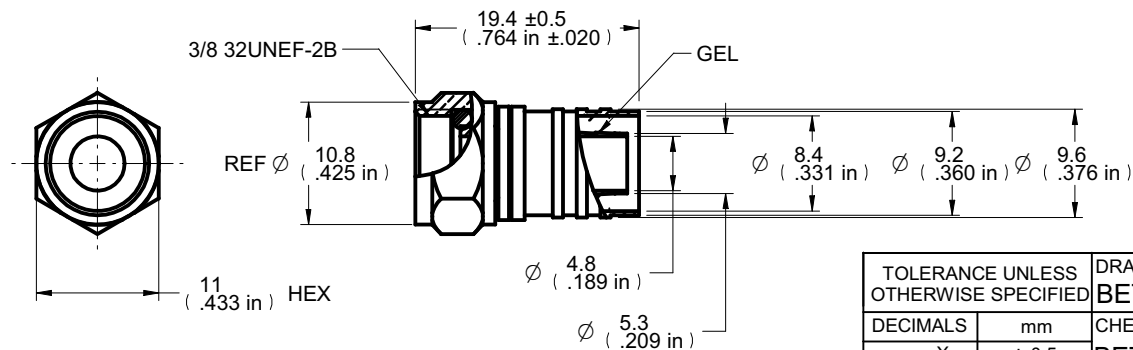
编号 P/N	25-7066-CUST	版本 Rev	01	日期 Rel'd Date	SEP 14,09
-----------	--------------	-----------	----	------------------	-----------

C

C

B

B

**DIM OUTLINE**

TOLERANCE UNLESS OTHERWISE SPECIFIED		DRAWN BY		DATE	
DECIMALS	mm	BETTY.YU		08-21-09	
X	± 0.5	CHECKED BY		DATE	
X.X	± 0.3	BETTY.YU		08-21-09	
X.XX	± 0.1	APPROVED BY		DATE	
ANGLES	± 0.5°	THOMAS		08-21-09	
		U/M	mm	⊕ ⊞	

CUSTOMER COPY

TITLE
F-56 W/P GEL CHROMATE 1/2 RINGSHEET
1 OF 1DRAWING NO.
25-7066-CUSTSIZE
A

A

A

5

4

3

2

1

THIS DRAWING WAS PRODUCED BY COMPUTER,
DO NOT SCALE DRAWING OR UPDATE MANUALLY.