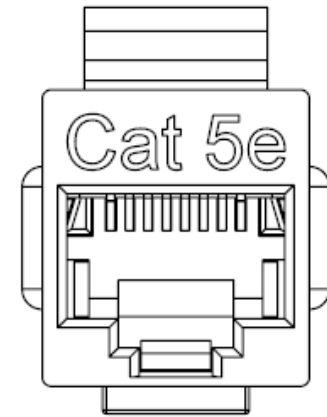
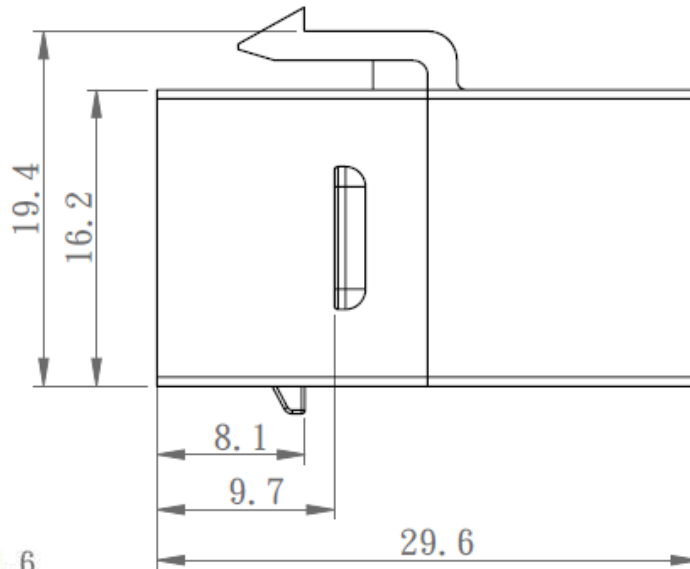
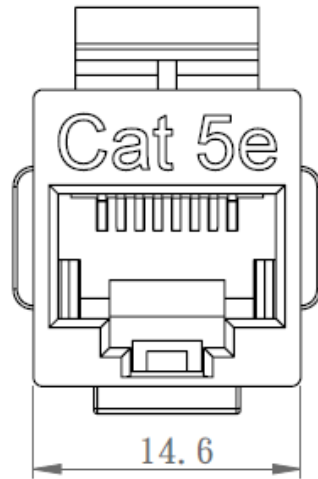
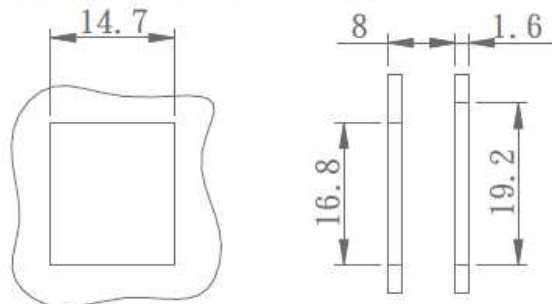


DESCRIPTION:	CAT 5E SLIMLINE COUPLER, BLACK	
MODEL NUMBER:	30-9344B	
APPLICATION:	COUPLER	
CRIMP TOOL:	N/A	
IMPEDANCE:	N/A	
FREQUENCY RANGE:	N/A	
MATERIAL:	COUPLER HOUSING	PC, UL94 V-0
	CONTACT HOLDER	ABS, UL94 V-0
	SPRING WIRE	PHOSPHOR BRONZE, GOLD PLATED
RoHS COMPLIANCE:	YES	
TECHNICAL DETAIL:	N/A	



SUGGESTED MOUNTING CUTOUT



		AIM-Cambridge	
	RoHS2 <input checked="" type="checkbox"/> 2011/65/EU	Title: CAT 5E SLIMLINE COUPLER, BLACK	
<small>This PROPRIETARY Document is property of Cinch Connectivity Solutions. It is confidential in nature, non-transferable, and issued with the clear understanding that it is not to be copied or copied without permission and is returnable upon demand.</small>	<small>UNLESS OTHERWISE SPECIFIED UNITS: METRIC</small> .X ±.51 .XX ±.127 ANGLES ±2°	Model No. 30-9344B	
<small>INTERPRET DRAWING IN ACCORDANCE WITH ASME Y14.5-2009.</small>	Size A	DO NOT SCALE DRAWING	Date: 2017/2/20
			Sheet 1 of 1