

## Universal AC Input Module

### Features & Benefits

- Universal input (85 to 264V<sub>AC</sub>, 47 to 63Hz)
- Chassis Mount or PCB Mount Form Factor
- Small robust package
- Low profile
- EMI filtering
- Meets EN61000-4-5 Class 3 surge protection when used with external MOV and fuse, paired with Vicor PFM4414 products

### Typical Applications

- Small cell base stations
- Telecom switching equipment
- LED lighting
- Test and Measurement Equipment
- 200 – 400W Industrial Power Systems
- Office Equipment

Product Ratings	
V <sub>IN</sub> = 85 – 264V	P <sub>OUT</sub> = up to 450W
V <sub>OUT</sub> = Rectified AC	I <sub>OUT</sub> = 5.3A

### Product Description

The AIM in a VIA Package (AC Input Module) is a front end module designed to interface directly with worldwide AC mains and provide a rectified AC input to Vicor's family of VIA PFM4414 products. The AIM combines a bridge rectifier, EMI filter, and surge protection circuitry in an easy to use VIA plastic housing. Together, the AIM and PFM in a VIA Package realize a small, efficient, simple, and cost effective EMI Class B AC-DC solution for a broad range of end applications.

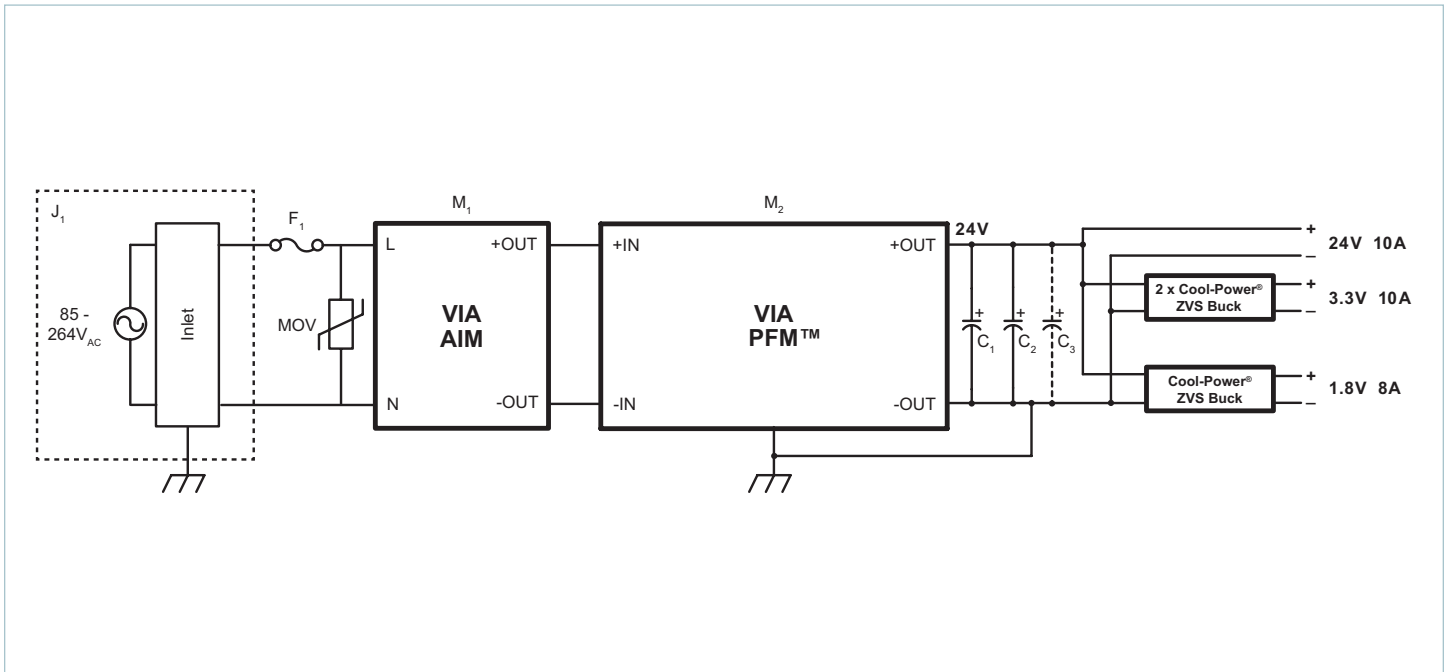


Size:  
1.76 x 1.40 x 0.37in  
44.6 x 35.5 x 9.3mm

### Part Ordering Information

Product Function	Package Length	Package Width	Package Type	Input Voltage	Range Ratio	Output Voltage (Range)	Max Output Power	Product Grade	Option Field	
AIM	17	14	x	B6	M	C7	D5	y	z	z
AIM = AC Input Module	Length in Inches x 10	Width in Inches x 10	B = Board VIA V = Chassis VIA	Internal Reference				C = -20 to 100°C T = -40 to 100°C	00 = Chassis/Always On 04 = Short Pin/Always On 08 = Long Pin/Always On	

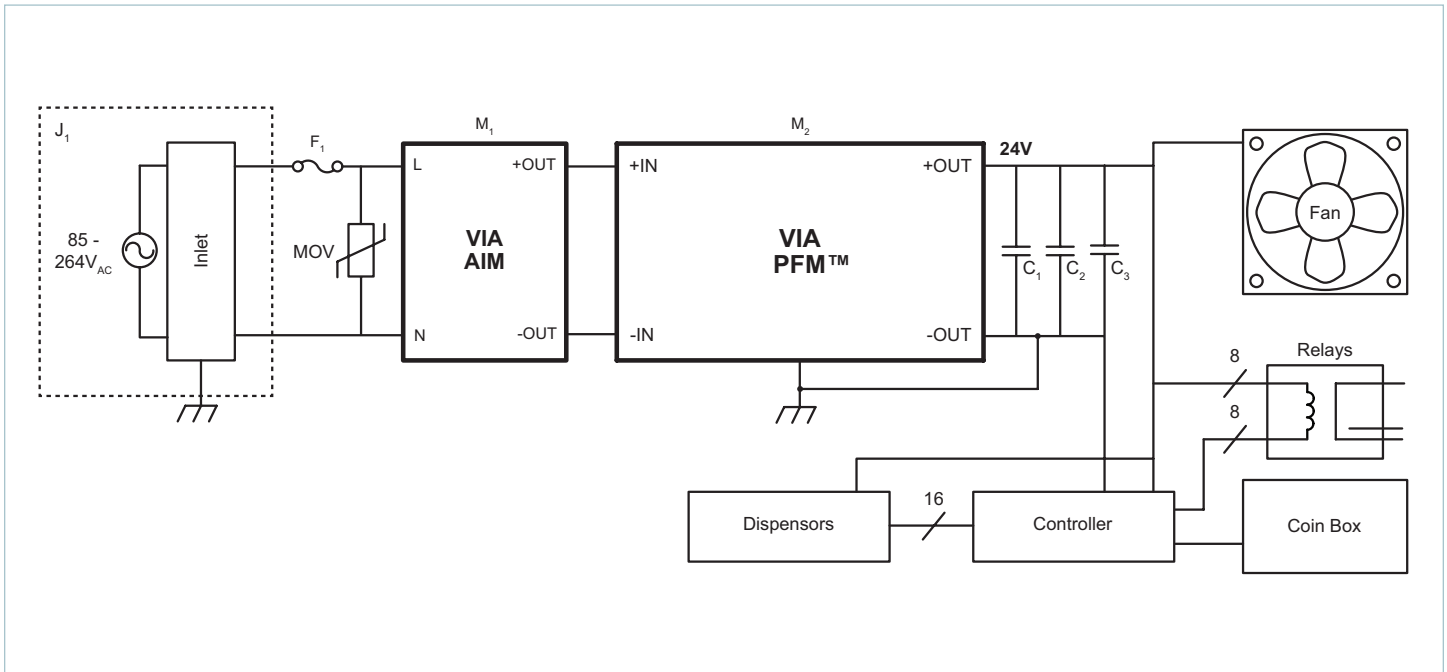
Typical PCB Mount Applications



The PCB terminal option allows mounting on an industry standard printed circuit board, with two different pin lengths.

Parts List for Typical PCB Mount Applications	
J1	Qualtek 703W IEC 320-C14 Power Inlet
F1	Littelfuse 0216008.MXP 8A 250V <sub>AC</sub> 5 x 20mm holder
M1	Vicor AIM™ AIM1714BB6MC7D5yzz
M2	Vicor PFM™ PFM4414BB6M24D0yzz or Vicor PFM PFM4414BB6M48D0yzz
C1, C2, (C3)	Select capacitors based on 4414 VIA PFM model used, as per typical application parts list.
MOV	Littelfuse TMOV20RP300E VARISTOR 10kA 30V 250 J 20mm

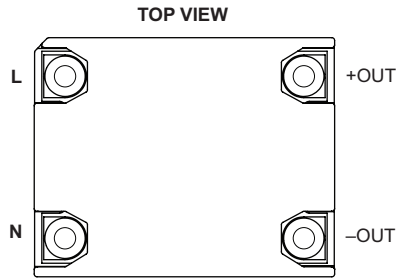
Typical Chassis Mount Applications



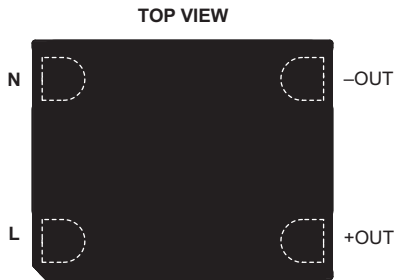
The VIA AIM and VIA PFM are available in Chassis Mount option, saving the cost of a PCB and allowing access to both sides of the power supply for cooling. The parts list below minimizes the number of interconnects required between necessary components, and selects components with terminals traditionally used for point to point chassis wiring.

Parts List for Typical Chassis Mount Applications	
J1	Qualtek 719W or 723W IEC 320-C14 Power Inlet
F1	Littelfuse 0216008.MXP 8A 250V <sub>AC</sub> 5 x 20mm in a J1, or separate fuse holder
M1	Vicor AIM™ AIM1714VB6MC7D5y00
M2	Vicor PFM™ PFM4414VB6M24D0y00 or Vicor PFM PFM4414VB6M48D0y00
C1, C2, C3	Select capacitors based on 4414 VIA PFM model used, as per typical application parts list.
MOV	Littelfuse TMOV20RP300E VARISTOR 10kA 300V 250 J 20mm

Pin Configuration



1714 VIA AIM - Chassis Mount - Terminals Up



1714 VIA AIM - PCB Mount - Pins Down

Please note that these Pin drawings are not to scale.

Pin Descriptions

Signal Name	Type	Function
N	INPUT POWER RETURN	AC Neutral / Line 2 input
L	INPUT POWER	AC Line 1 input
-OUT	OUTPUT POWER RETURN	Negative output power terminal
+OUT	OUTPUT POWER	Positive output power terminal

## Absolute Maximum Ratings

The absolute maximum ratings below are stress ratings only. Operation at or beyond these maximum ratings can cause permanent damage to the device.

Parameter	Comments	Min	Max	Unit
Peak Voltage at Input Terminals, 1ms Max		0	600	V <sub>pk</sub>
Input Voltage (AC RMS) Continuous		0	275	V <sub>RMS</sub>
Output Current (Continuous)		0	5.3	A <sub>RMS</sub>
Operating Junction Temperature		-40	125	°C
Storage Temperature		-65	125	°C
Input / Output Pin Torque and Mounting Torque			4 (0.45)	in/lbs (N-m)

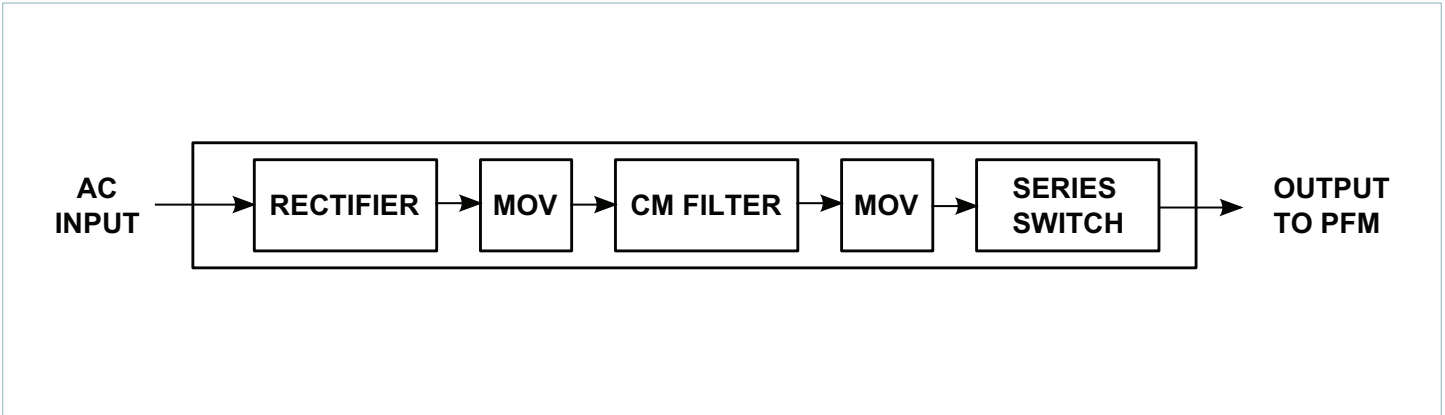
**Electrical Specifications**

Specifications apply over all line and load conditions, 50Hz and 60Hz line frequencies,  $T_C = 25^\circ\text{C}$ , unless otherwise noted.

**Boldface** specifications apply over the temperature range of the specified product grade.

Attribute	Symbol	Conditions / Notes	Min	Typ	Max	Unit
<b>Input Specification</b>						
Input Voltage Range, Continuous Operation	$V_{IN}$		<b>85</b>		<b>264</b>	$V_{RMS}$
Input Voltage Range, Transient, Non-Operational (Peak), 30s Minimum Interval	$V_{IN}$				600	V
Source Line Frequency Range	$f_{line}$		<b>47</b>		<b>63</b>	Hz
Power Factor	PF	Please see PFM in VIA package datasheet for power factor.				-
<b>Output Specification</b>						
Output Power	$P_{OUT}$				<b>450</b>	W
Output Current (Continuous)	$I_{OUT}$				<b>5.3</b>	A

Block Diagram



Application Characteristics

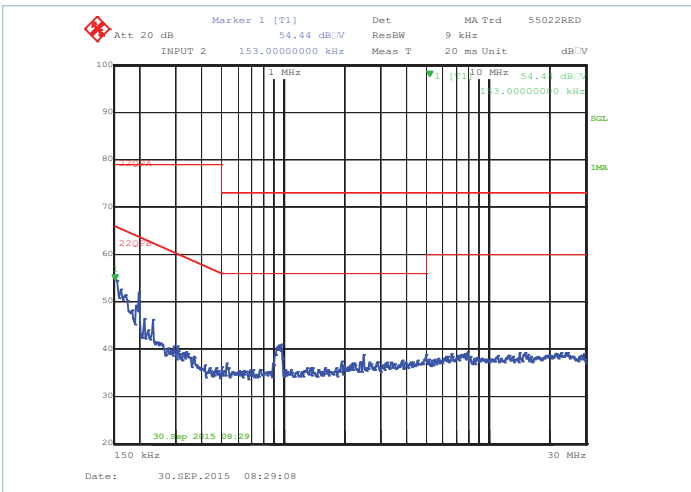


Figure 1 — Typical conducted emissions, peak scan, with VIA PFM4414, 115V, 90% load with VIA PFM –OUT connected to GND

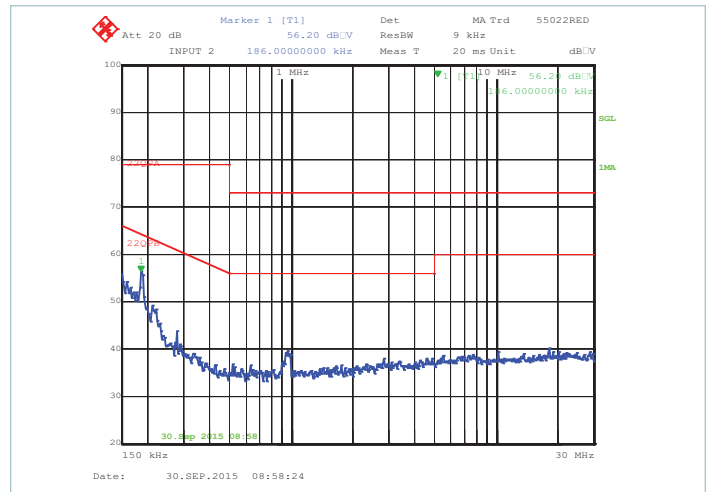


Figure 2 — Typical conducted emissions, peak scan, with VIA PFM4414, 230V, 90% load with VIA PFM –OUT connected to GND

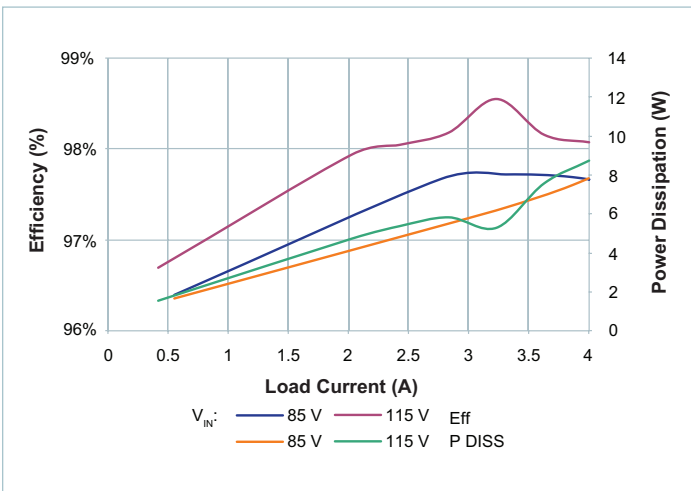


Figure 3 —  $V_{IN}$  to  $V_{OUT}$  efficiency and power dissipation vs.  $V_{IN}$  and  $I_{OUT}$ ,  $T_{CASE} = 20^{\circ}C$

## General Characteristics

Specifications apply over all line and load conditions, 50Hz and 60Hz line frequencies,  $T_C = 25^\circ\text{C}$ , unless otherwise noted.

**Boldface** specifications apply over the temperature range of the specified Product Grade.

Attribute	Symbol	Conditions / Notes	Min	Typ	Max	Unit
<b>Mechanical</b>						
Length	L			44.6 / [1.76]		mm / [in]
Width	W			35.5 / [1.40]		mm / [in]
Height	H			9.3 / [0.37]		mm / [in]
Volume	Vol	Without heatsink		14.5 / [0.88]		cm <sup>3</sup> / [in <sup>3</sup> ]
Mass (Weight)	M			35 / [1.2]		g / [oz]
Pin Material		C145 copper, half hard				
Underplate		Low stress ductile nickel	50		100	μin
Pin Finish		Palladium	0.8		6	μin
		Soft Gold	0.12		2	μin
<b>Thermal</b>						
Operating Case Temperature	$T_C$	C-Grade	-20		100	°C
		T-Grade	-40		100	°C
Thermal Resistance, Junction to Case Bottom	$R_{JC\_BOT}$			2.2		°C/W
Thermal Design		See Thermal Considerations on Page 10				
<b>Soldering</b>						
Temperature		See: <a href="#">AN:401 PCB Mount VIA Soldering Guidelines</a>				
<b>Reliability</b>						
MTBF		MIL-HDBK-217FN2 Parts Count - 25°C Ground Benign, Stationary, Indoors / Computer		8.2		MHrs
		Telcordia Issue 2 - Method I Case III; 25°C		28.6		
		MIL-HDBK-217FN2 - 25°C Ground Benign, Stationary, Indoors / Computer		7.4		
<b>Safety</b>						
Agency Approvals / Standards		EN60950-1; CE marked for low voltage directive and RoHS recast directive, as applicable				
Dielectric Withstand (Hipot)		IN / OUT to Case	1500			V <sub>AC</sub>
Leakage Current / Touch Current		No Y capacitor connection of GND connection within package		Negligible		
<b>EMI/EMC Compliance</b>						
FCC Part 15, EN55022, CISPR22: 2006 + A1: 2007, Conducted Emissions		Class B Limits - with VIA PFM –OUT connected to GND				
EN61000-4-5: 2006, Surge Immunity		Level 3, Immunity Criteria A with PFM in a VIA Package with external TMOV and fuse, shown on page 2 or 3, required.				

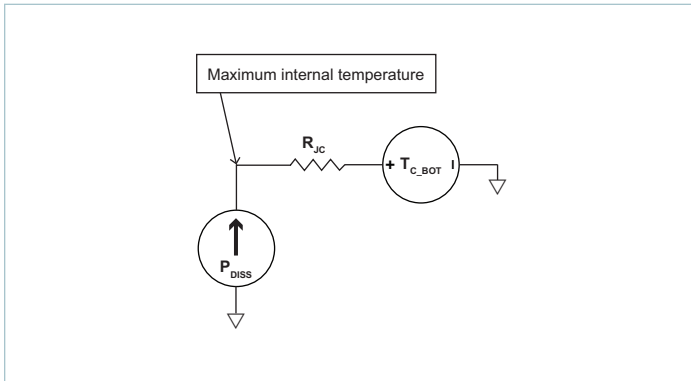


Environmental Qualification

Testing Activity	Reference Standard	Test Details
High Temperature Operating Bias/Life (HTOB/HTOL)	JESD22-A108D	1000hrs. Nominal Full Load at Max operating temperature
Temperature Cycling Test (TCT)	IPC-9592B	125°C to -40°C, 700 cycles
Temperature Humidity Bias (THB)	JESD22-A101C	1000hrs. Nominal Input voltage, Minimal load 85°C, 85% RH
High Temperature Storage (HTS)	JESD22-A103D	1000hrs. 125°C
Low Temperature Storage (LTS)	JESD22-A119	1000hrs. -65°C
Random Vibration	MIL-STD-810G	Method 514.6, Procedure I, Category 24, 20-2000Hz, @7.7g <sub>RMS</sub> , 1hour /axis for 3 axis. Product mounted on an evaluation board, nominal line 50% load.
Mechanical Shock	MIL-STD-810G	Method 516.5, Procedure I, Functional shock 40G, total of 18 shocks. Product mounted on an evaluation board, nominal Line 50% load.
Highly Accelerated Life Test (HALT)	Internal Vicor Procedure - DP-0265	Low and high temperature tests, rapid thermal cycling, random vibration testing, combined stress testing and destruct testing.
Res. Solvents	MIL-STD-202G	Method 215K, 3 minutes exposure
ESD Human Body Model	JEDEC JS-001-2012	Class 1C (HBM) Minimum
ESD Charged Device Model	JESD22-C101E	Class II (CDM) Minimum

## Thermal Considerations

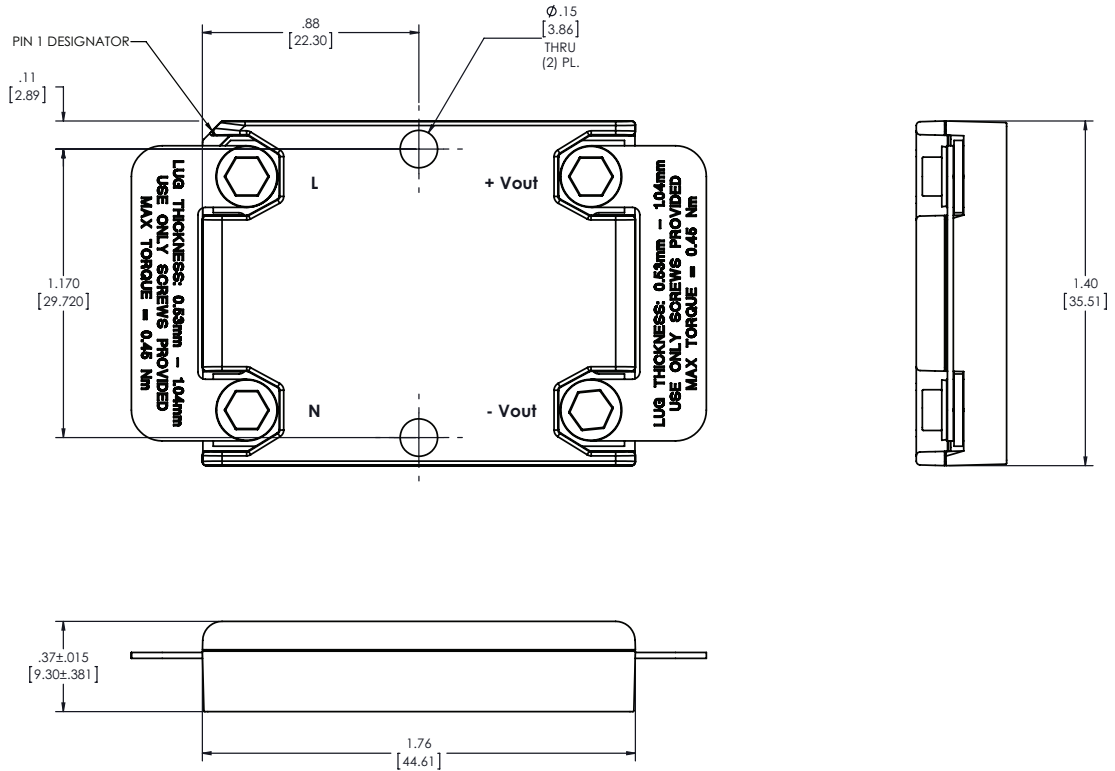
The AIM in a VIA package can be cooled using single side cooling from the bottom side (i.e., facing opposite the screws of PCB pins). Since the AIM has a maximum internal temperature rating, it is necessary to estimate this internal temperature based on a system-level thermal solution. To this purpose, it is helpful to simplify the thermal solution into a roughly equivalent circuit where power dissipation is modeled as a current source, isothermal surface temperatures are represented as voltages sources, and thermal resistances are represented as resistors. Figure 4 shows the bottom side cooling “thermal circuit” for the AIM in VIA package:



**Figure 4** — Bottom-side cooling VIA thermal model

The internal power dissipation is  $P_{DISS}$ ,  $R_{JC\_BOT}$  is the thermal resistance characteristic of the VIA package and the bottom surface temperature is represented as  $T_{C\_BOT}$ . The AIM is best attached to a material with high thermal conductivity (e.g. aluminum or copper) to maintain temperature uniformity across the bottom side.

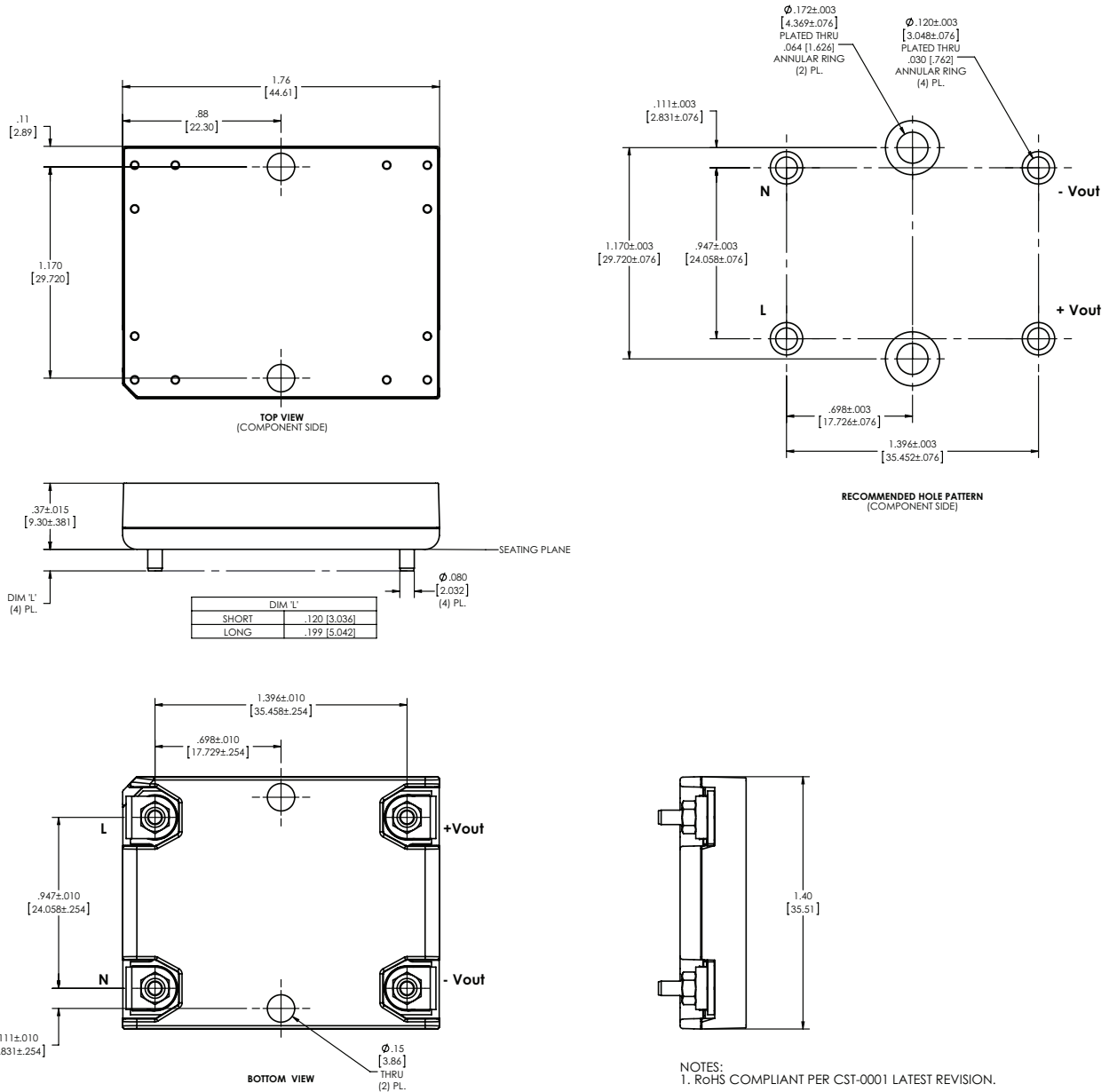
AIM in a VIA Package Chassis Mount Package Mechanical Drawing



NOTE:  
1. RoHS COMPLIANT PER CST-0001 LATEST REVISION.

Product outline drawing; product outline drawings are available in .pdf and .dxf formats.  
3D mechanical models are available in .pdf and .step formats.

AIM in a VIA Package Board Mount Package Mechanical Drawing



Revision History

Revision	Date	Description	Page Number(s)
1.0	12/24/15	Intitial release	n/a
1.1	07/21/16	Updated dimensions Added "Mass" attribute and soldering temperature note Revised mechanical drawing to show correct PCB pin diameter	1 & 8 8 12
1.2	08/02/17	Removed specific bulk caps in typical application circuit so force user to refer to 24V or 48V PFM specific documentation. Revised min storage temp to -65C. Added note stating no touch current in safety table and added fuse to note under surge in compliance table Clarified which side is the bottom in thermal section	2-3 4 8 10

**Vicor's comprehensive line of power solutions includes high density AC-DC and DC-DC modules and accessory components, fully configurable AC-DC and DC-DC power supplies, and complete custom power systems.**

Information furnished by Vicor is believed to be accurate and reliable. However, no responsibility is assumed by Vicor for its use. Vicor makes no representations or warranties with respect to the accuracy or completeness of the contents of this publication. Vicor reserves the right to make changes to any products, specifications, and product descriptions at any time without notice. Information published by Vicor has been checked and is believed to be accurate at the time it was printed; however, Vicor assumes no responsibility for inaccuracies. Testing and other quality controls are used to the extent Vicor deems necessary to support Vicor's product warranty. Except where mandated by government requirements, testing of all parameters of each product is not necessarily performed.

**Specifications are subject to change without notice.**

Visit <http://www.vicorpower.com/ac-input-front-end-module> for the latest product information.

**Vicor's Standard Terms and Conditions and Product Warranty**

All sales are subject to Vicor's Standard Terms and Conditions of Sale, and Product Warranty which are available on Vicor's webpage (<http://www.vicorpower.com/termsconditionswarranty>) or upon request.

**Life Support Policy**

VICOR'S PRODUCTS ARE NOT AUTHORIZED FOR USE AS CRITICAL COMPONENTS IN LIFE SUPPORT DEVICES OR SYSTEMS WITHOUT THE EXPRESS PRIOR WRITTEN APPROVAL OF THE CHIEF EXECUTIVE OFFICER AND GENERAL COUNSEL OF VICOR CORPORATION. As used herein, life support devices or systems are devices which (a) are intended for surgical implant into the body, or (b) support or sustain life and whose failure to perform when properly used in accordance with instructions for use provided in the labeling can be reasonably expected to result in a significant injury to the user. A critical component is any component in a life support device or system whose failure to perform can be reasonably expected to cause the failure of the life support device or system or to affect its safety or effectiveness. Per Vicor Terms and Conditions of Sale, the user of Vicor products and components in life support applications assumes all risks of such use and indemnifies Vicor against all liability and damages.

**Intellectual Property Notice**

Vicor and its subsidiaries own Intellectual Property (including issued U.S. and Foreign Patents and pending patent applications) relating to the products described in this data sheet. No license, whether express, implied, or arising by estoppel or otherwise, to any intellectual property rights is granted by this document. Interested parties should contact Vicor's Intellectual Property Department.

The products described on this data sheet are protected by the following U.S. Patents Numbers:  
Patents Pending.

Contact Us: <http://www.vicorpower.com/contact-us>

**Vicor Corporation**  
25 Frontage Road  
Andover, MA, USA 01810  
Tel: 800-735-6200  
Fax: 978-475-6715  
[www.vicorpower.com](http://www.vicorpower.com)

**email**

Customer Service: [custserv@vicorpower.com](mailto:custserv@vicorpower.com)  
Technical Support: [apps@vicorpower.com](mailto:apps@vicorpower.com)

©2017 Vicor Corporation. All rights reserved. The Vicor name is a registered trademark of Vicor Corporation.  
All other trademarks, product names, logos and brands are property of their respective owners.