

- Low Supply-Voltage Range, 1.8 V to 3.6 V
- Ultralow-Power Consumption:  
Active Mode: 250  $\mu$ A at 1 MHz, 2.2 V  
Standby Mode: 1.1  $\mu$ A  
Off Mode (RAM Retention): 0.1  $\mu$ A
- Five Power Saving Modes
- Wake-Up From Standby Mode in Less Than 6  $\mu$ s
- 16-Bit RISC Architecture, 125-ns Instruction Cycle Time
- 16-Bit Sigma-Delta A/D Converter With Internal Reference and Five Differential Analog Inputs
- 12-Bit D/A Converter
- 16-Bit Timer\_A With Three Capture/Compare Registers
- Brownout Detector
- Bootstrap Loader
- Serial Onboard Programming, No External Programming Voltage Needed  
Programmable Code Protection by Security Fuse
- Integrated LCD Driver With Contrast Control for Up to 56 Segments
- MSP430x42x0 Family Members Include:  
MSP430F4250: 16KB+256B Flash Memory  
256B RAM  
MSP430F4260: 24KB+256B Flash Memory  
256B RAM  
MSP430F4270: 32KB+256B Flash Memory  
256B RAM
- For Complete Module Descriptions, See The *MSP430x4xx Family User's Guide*, Literature Number SLAU056
- For Additional Device Information, See The *MSP430F42x0 Device Erratasheet*, Literature Number SLAZ022

## description

The Texas Instruments MSP430 family of ultralow-power microcontrollers consist of several devices featuring different sets of peripherals targeted for various applications. The architecture, combined with five low power modes, is optimized to achieve extended battery life in portable measurement applications. The device features a powerful 16-bit RISC CPU, 16-bit registers, and constant generators that contribute to maximum code efficiency. The digitally controlled oscillator (DCO) allows wake-up from low-power modes to active mode in less than 6  $\mu$ s.

The MSP430F42x0 is a microcontroller configuration with a 16-bit timer, a high performance 16-bit sigma-delta A/D converter, 12-bit D/A converter, 32 I/O pins, and a liquid crystal display driver.

Typical applications for this device include analog and digital sensor systems, digital motor control, remote controls, thermostats, digital timers, hand-held meters, etc.

### AVAILABLE OPTIONS

T <sub>A</sub>	PACKAGED DEVICES	
	PLASTIC 48-PIN SSOP (DL)	PLASTIC 48-PIN QFN (RGZ)
-40°C to 85°C	MSP430F4250IDL	MSP430F4250IRGZ
	MSP430F4260IDL	MSP430F4260IRGZ
	MSP430F4270IDL	MSP430F4270IRGZ



This integrated circuit can be damaged by ESD. Texas Instruments recommends that all integrated circuits be handled with appropriate precautions. Failure to observe proper handling and installation procedures can cause damage. ESD damage can range from subtle performance degradation to complete device failure. Precision integrated circuits may be more susceptible to damage because very small parametric changes could cause the device not to meet its published specifications. These devices have limited built-in ESD protection.



Please be aware that an important notice concerning availability, standard warranty, and use in critical applications of Texas Instruments semiconductor products and disclaimers thereto appears at the end of this data sheet.

**PRODUCTION DATA** information is current as of publication date. Products conform to specifications per the terms of Texas Instruments standard warranty. Production processing does not necessarily include testing of all parameters.

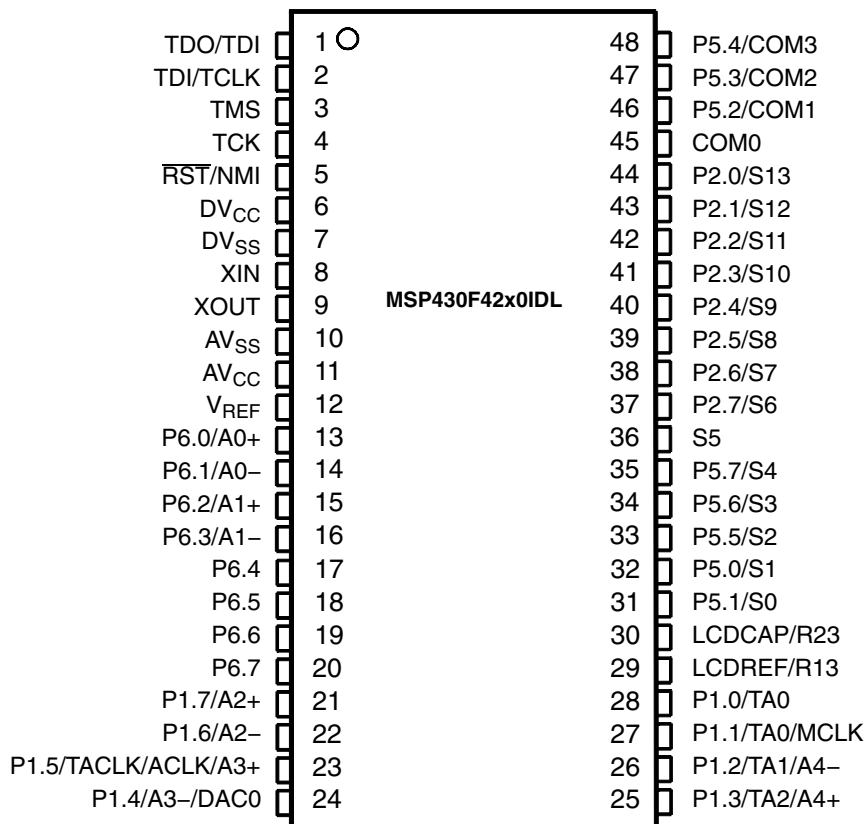


# MSP430F42x0 MIXED SIGNAL MICROCONTROLLER

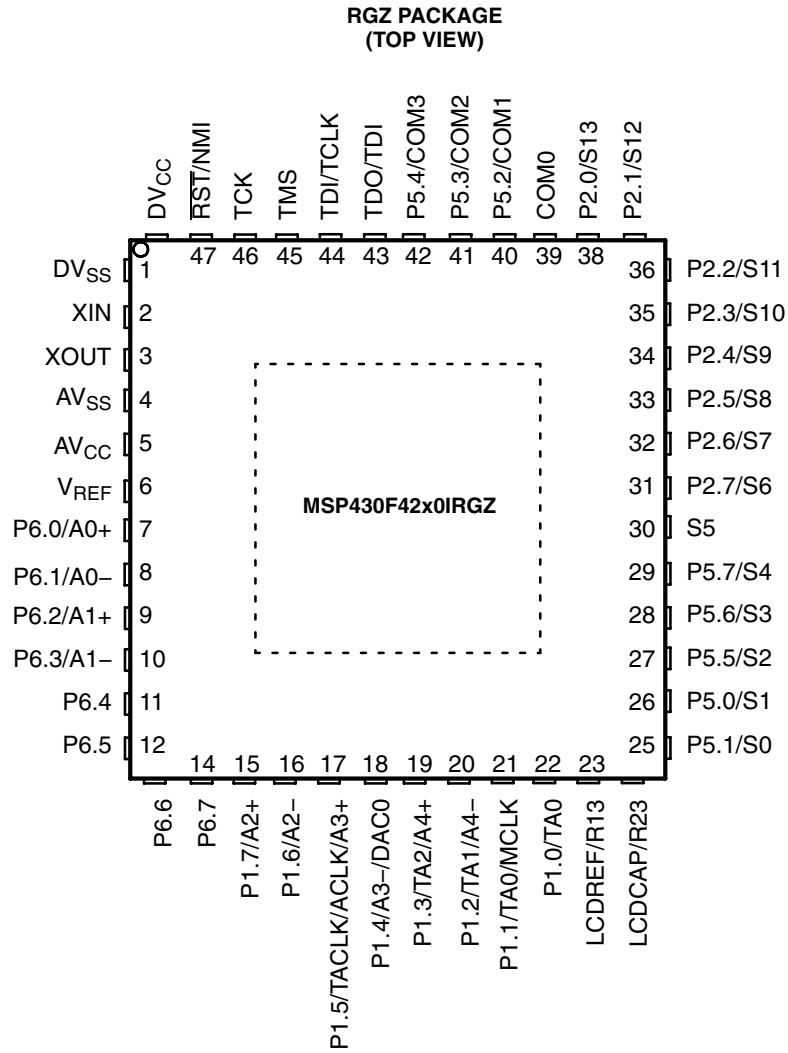
SLAS455D – MARCH 2005 – REVISED APRIL 2007

## pin designation, MSP430F42x0

### DL PACKAGE (TOP VIEW)



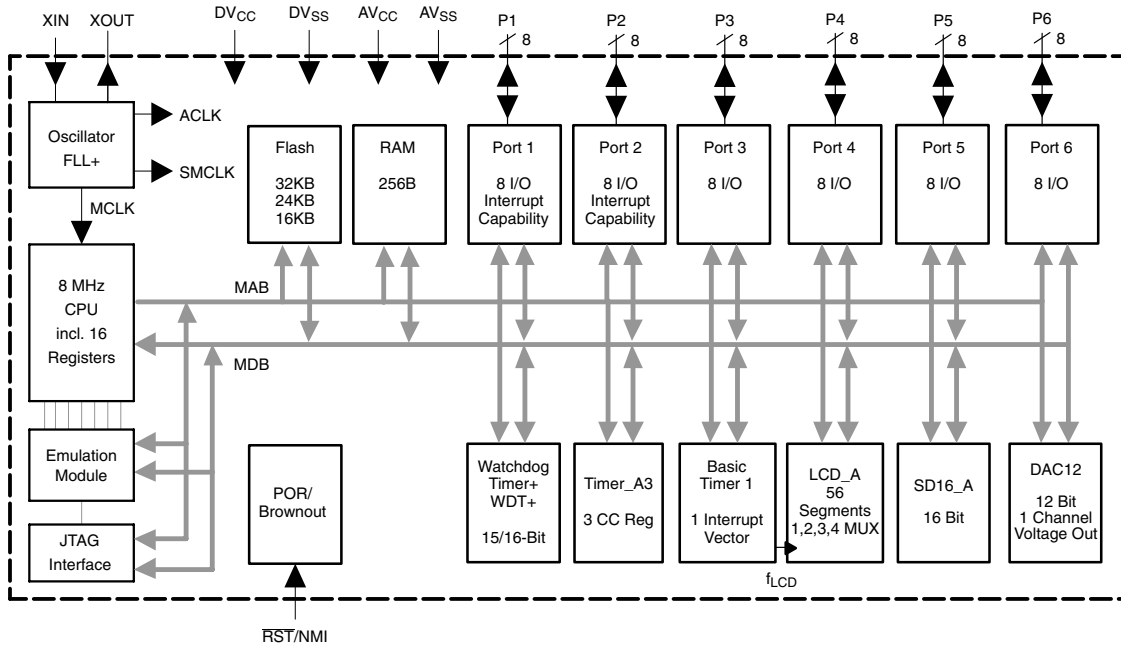
pin designation, MSP430F42x0 (continued)



# MSP430F42x0 MIXED SIGNAL MICROCONTROLLER

SLAS455D – MARCH 2005 – REVISED APRIL 2007

## MSP430F42x0 functional block diagram



**MSP430F42x0 Terminal Functions**

TERMINAL				DESCRIPTION
NAME	DL NO.	RGZ NO.	I/O	
TDO/TDI	1	43	I/O	Test data output port. TDO/TDI data output or programming data input terminal
TDI/TCLK	2	44	I	Test data input or test clock input. The device protection fuse is connected to TDI/TCLK.
TMS	3	45	I	Test mode select. TMS is used as an input port for device programming and test.
TCK	4	46	I	Test clock. TCK is the clock input port for device programming and test.
RST/NMI	5	47	I	General-purpose digital I/O / reset input or nonmaskable interrupt input port
DV <sub>CC</sub>	6	48		Digital supply voltage, positive terminal
DV <sub>SS</sub>	7	1		Digital supply voltage, negative terminal
XIN	8	2	I	Input terminal of crystal oscillator XT1
XOUT	9	3	O	Output terminal of crystal oscillator XT1
AV <sub>SS</sub>	10	4		Analog supply voltage, negative terminal
AV <sub>CC</sub>	11	5		Analog supply voltage, positive terminal
V <sub>REF</sub>	12	6	I/O	Analog reference voltage
P6.0/A0+	13	7	I/O	General-purpose digital I/O / analog input A0+
P6.1/A0–	14	8	I/O	General-purpose digital I/O / analog input A0–
P6.2/A1+	15	9	I/O	General-purpose digital I/O / analog input A1+
P6.3/A1–	16	10	I/O	General-purpose digital I/O / analog input A1–
P6.4	17	11	I/O	General-purpose digital I/O
P6.5	18	12	I/O	General-purpose digital I/O
P6.6	19	13	I/O	General-purpose digital I/O
P6.7	20	14	I/O	General-purpose digital I/O
P1.7/A2+	21	15	I/O	General-purpose digital I/O / analog input A2+
P1.6/A2–	22	16	I/O	General-purpose digital I/O / analog input A2–
P1.5/TACLK/ACLK/A3+	23	17	I/O	General-purpose digital I/O / Timer_A, clock signal TACLK input / ACLK output (divided by 1, 2, 4, or 8) / analog input A3+
P1.4/A3–/DAC0	24	18	I/O	General-purpose digital I/O / analog input A3– / DAC12 output
P1.3/TA2/A4+	25	19	I/O	General-purpose digital I/O / Timer_A, Capture: CCI2A, compare: Out2 output / analog input A4+
P1.2/TA1/A4–	26	20	I/O	General-purpose digital I/O / Timer_A, Capture: CCI1A, compare: Out1 output / analog input A4–
P1.1/TA0/MCLK	27	21	I/O	General-purpose digital I/O / Timer_A. Capture: CCI0B / MCLK output. Note: TA0 is only an input on this pin / BSL Receive
P1.0/TA0	28	22	I/O	General-purpose digital I/O / Timer_A. Capture: CCI0A input, compare: Out0 output / BSL Transmit
LCDREF/R13	29	23		External LCD reference voltage input / input port of third most positive analog LCD level (V4 or V3)
LDCAP/R23	30	24		Capacitor connection for LCD charge pump / input port of second most positive analog LCD level (V2)
P5.1/S0	31	25	I/O	General-purpose digital I/O / LCD segment output 0
P5.0/S1	32	26	I/O	General-purpose digital I/O / LCD segment output 1
P5.5/S2	33	27	I/O	General-purpose digital I/O / LCD segment output 2
P5.6/S3	34	28	I/O	General-purpose digital I/O / LCD segment output 3
P5.7/S4	35	29	I/O	General-purpose digital I/O / LCD segment output 4
S5	36	30	O	LCD segment output 5
P2.7/S6	37	31	I/O	General-purpose digital I/O / LCD segment output 6
P2.6/S7	38	32	I/O	General-purpose digital I/O / LCD segment output 7

# MSP430F42x0 MIXED SIGNAL MICROCONTROLLER

SLAS455D – MARCH 2005 – REVISED APRIL 2007

## MSP430F42x0 Terminal Functions (Continued)

TERMINAL				DESCRIPTION
NAME	DL NO.	RGZ NO.	I/O	
P2.5/S8	39	33	I/O	General-purpose digital I/O / LCD segment output 8
P2.4/S9	40	34	I/O	General-purpose digital I/O / LCD segment output 9
P2.3/S10	41	35	I/O	General-purpose digital I/O / LCD segment output 10
P2.2/S11	42	36	I/O	General-purpose digital I/O / LCD segment output 11
P2.1/S12	43	37	I/O	General-purpose digital I/O / LCD segment output 12
P2.0/S13	44	38	I/O	General-purpose digital I/O / LCD segment output 13
COM0	45	39	O	Common output, COM0–3 are used for LCD backplanes.
P5.2/COM1	46	40	I/O	General-purpose digital I/O / common output, COM0–3 are used for LCD backplanes.
P5.3/COM2	47	41	I/O	General-purpose digital I/O / common output, COM0–3 are used for LCD backplanes.
P5.4/COM3	48	42	I/O	General-purpose digital I/O / common output, COM0–3 are used for LCD backplanes.
QFN Pad	NA	None	NA	QFN package pad connection to DV <sub>SS</sub> recommended.



## short-form description

### CPU

The MSP430 CPU has a 16-bit RISC architecture that is highly transparent to the application. All operations, other than program-flow instructions, are performed as register operations in conjunction with seven addressing modes for source operand and four addressing modes for destination operand.

The CPU is integrated with 16 registers that provide reduced instruction execution time. The register-to-register operation execution time is one cycle of the CPU clock.

Four of the registers, R0 to R3, are dedicated as program counter, stack pointer, status register, and constant generator respectively. The remaining registers are general-purpose registers.

Peripherals are connected to the CPU using data, address, and control buses, and can be handled with all instructions.

Program Counter	PC/R0
Stack Pointer	SP/R1
Status Register	SR/CG1/R2
Constant Generator	CG2/R3
General-Purpose Register	R4
General-Purpose Register	R5
General-Purpose Register	R6
General-Purpose Register	R7
General-Purpose Register	R8
General-Purpose Register	R9
General-Purpose Register	R10
General-Purpose Register	R11
General-Purpose Register	R12
General-Purpose Register	R13
General-Purpose Register	R14
General-Purpose Register	R15

### instruction set

The instruction set consists of 51 instructions with three formats and seven address modes. Each instruction can operate on word and byte data. Table 1 shows examples of the three types of instruction formats; the address modes are listed in Table 2.

**Table 1. Instruction Word Formats**

Dual operands, source-destination	e.g. ADD R4,R5	R4 + R5 ----> R5
Single operands, destination only	e.g. CALL R8	PC -->(TOS), R8--> PC
Relative jump, un/conditional	e.g. JNE	Jump-on-equal bit = 0

**Table 2. Address Mode Descriptions**

ADDRESS MODE	S	D	SYNTAX	EXAMPLE	OPERATION
Register	●	●	MOV Rs,Rd	MOV R10,R11	R10 --> R11
Indexed	●	●	MOV X(Rn),Y(Rm)	MOV 2(R5),6(R6)	M(2+R5)--> M(6+R6)
Symbolic (PC relative)	●	●	MOV EDE,TONI		M(EDE) --> M(TONI)
Absolute	●	●	MOV & MEM, & TCDAT		M(MEM) --> M(TCDAT)
Indirect	●		MOV @Rn,Y(Rm)	MOV @R10,Tab(R6)	M(R10) --> M(Tab+R6)
Indirect autoincrement	●		MOV @Rn+,Rm	MOV @R10+,R11	M(R10) --> R11 R10 + 2 --> R10
Immediate	●		MOV #X,TONI	MOV #45,TONI	#45 --> M(TONI)

NOTE: S = source    D = destination

# MSP430F42x0

## MIXED SIGNAL MICROCONTROLLER

SLAS455D – MARCH 2005 – REVISED APRIL 2007

---

### operating modes

The MSP430 has one active mode and five software selectable low-power modes of operation. An interrupt event can wake up the device from any of the five low-power modes, service the request and restore back to the low-power mode on return from the interrupt program.

The following six operating modes can be configured by software:

- Active mode (AM)
  - All clocks are active
- Low-power mode 0 (LPM0)
  - CPU is disabled  
ACLK and SMCLK remain active, MCLK is available to modules  
FLL+ loop control remains active
- Low-power mode 1 (LPM1)
  - CPU is disabled  
ACLK and SMCLK remain active, MCLK is available to modules  
FLL+ loop control is disabled
- Low-power mode 2 (LPM2)
  - CPU is disabled  
MCLK, FLL+ loop control, and DCOCLK are disabled  
DCO's dc-generator remains enabled  
ACLK remains active
- Low-power mode 3 (LPM3)
  - CPU is disabled  
MCLK, FLL+ loop control, and DCOCLK are disabled  
DCO's dc-generator is disabled  
ACLK remains active
- Low-power mode 4 (LPM4);
  - CPU is disabled  
ACLK is disabled  
MCLK, FLL+ loop control, and DCOCLK are disabled  
DCO's dc-generator is disabled  
Crystal oscillator is stopped





**interrupt vector addresses**

The interrupt vectors and the power-up starting address are located in the address range 0FFFFh–0FFE0h. The vector contains the 16-bit address of the appropriate interrupt-handler instruction sequence.

**Table 3. Interrupt Sources, Flags, and Vectors of MSP430F42x0 Configuration**

INTERRUPT SOURCE	INTERRUPT FLAG	SYSTEM INTERRUPT	WORD ADDRESS	PRIORITY
Power-Up External Reset Watchdog Flash Memory PC Out-of-Range (see Note 4)	WDTIFG KEYV (see Note 1)	Reset	0FFFEh	15, highest
NMI Oscillator Fault Flash Memory Access Violation	NMIIFG (see Notes 1 and 3) OFIFG (see Notes 1 and 3) ACCVIFG (see Notes 1 and 3)	(Non)maskable (Non)maskable (Non)maskable	0FFFCh	14
			0FFFAh	13
SD16_A	SD16CCTLx SD16OVIFG, SD16CCTLx SD16IFG (see Notes 1 and 2)	Maskable	0FFF8h	12
			0FFF6h	11
Watchdog Timer	WDTIFG	Maskable	0FFF4h	10
			0FFF2h	9
			0FFF0h	8
			0FFEEh	7
Timer_A3	TACCR0 CCIFG0 (see Note 2)	Maskable	0FFECCh	6
Timer_A3	TACCR1 CCIFG1 and TACCR2 CCIFG2, TAIFG (see Notes 1 and 2)	Maskable	0FFEACh	5
I/O Port P1 (Eight Flags)	P1IFG.0 to P1IFG.7 (see Notes 1 and 2)	Maskable	0FFE8h	4
DAC12	DAC12_0IFG (see Note 2)	Maskable	0FFE6h	3
			0FFE4h	2
I/O Port P2 (Eight Flags)	P2IFG.0 to P2IFG.7 (see Notes 1 and 2)	Maskable	0FFE2h	1
Basic Timer1	BTIFG	Maskable	0FFE0h	0, lowest

- NOTES:
1. Multiple source flags
  2. Interrupt flags are located in the module.
  3. (Non)maskable: the individual interrupt-enable bit can disable an interrupt event, but the general-interrupt enable cannot disable it.
  4. A reset is generated if the CPU tries to fetch instructions from within the module register memory address range (0h–01FFh) or from within unused address ranges (MSP430F4270, MSP430F4260: from 0300h to 0BFFh and from 01100h to 07FFFh, MSP430F4250: from 0300h to 0BFFh and from 01100h to 0BFFFh).

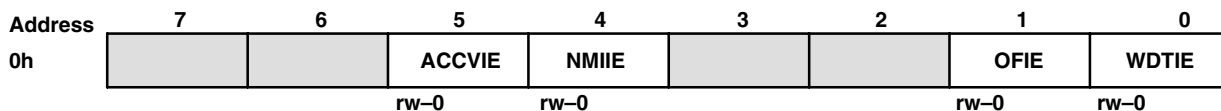
# MSP430F42x0 MIXED SIGNAL MICROCONTROLLER

SLAS455D – MARCH 2005 – REVISED APRIL 2007

## special function registers

The MSP430 special function registers(SFR) are located in the lowest address space, and are organized as byte mode registers. SFRs should be accessed with byte instructions.

### interrupt enable registers 1 and 2

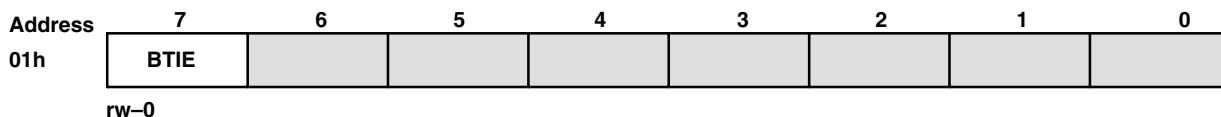


WDTIE: Watchdog-timer interrupt enable. Inactive if watchdog mode is selected.  
Active if watchdog timer is configured as a general-purpose timer.

OFIE: Oscillator-fault-interrupt enable

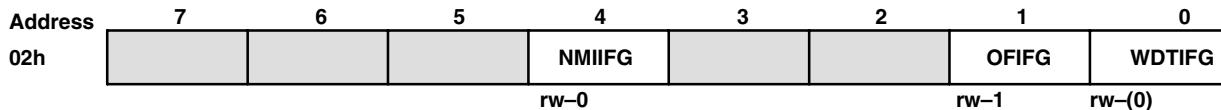
NMIIE: Nonmaskable-interrupt enable

ACCVIE: Flash access violation interrupt enable



BTIE: Basic timer interrupt enable

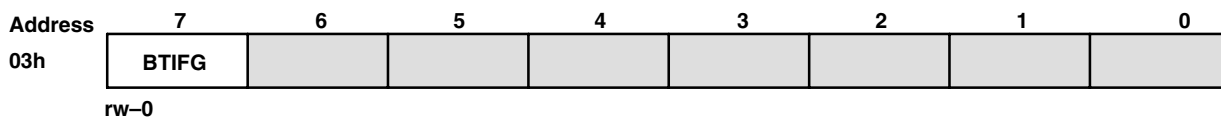
### interrupt flag registers 1 and 2



WDTIFG: Set on watchdog timer overflow (in watchdog mode) or security key violation  
Reset on  $V_{CC}$  power-on or a reset condition at the  $\overline{RST}/NMI$  pin in reset mode

OFIFG: Flag set on oscillator fault

NMIIFG: Set via  $\overline{RST}/NMI$  pin



BTIFG: Basic timer flag

### module enable registers 1 and 2



Legend: rw: Bit Can Be Read and Written  
 rw-0,1: Bit Can Be Read and Written. It Is Reset or Set by PUC.  
 rw-(0,1): Bit Can Be Read and Written. It Is Reset or Set by POR.  
 [ ]: SFR Bit Not Present in Device

### memory organization

		MSP430F4250	MSP430F4260	MSP430F4270
Memory	Size	16KB	24KB	32KB
	Flash	0FFFFh – 0FFE0h	0FFFFh – 0FFE0h	0FFFFh – 0FFE0h
Main: interrupt vector	Flash	0FFFFh – 0C000h	0FFFFh – 0A000h	0FFFFh – 08000h
Main: code memory	Size	256 Byte	256 Byte	256 Byte
	Flash	010FFh – 01000h	010FFh – 01000h	010FFh – 01000h
Information memory	Size	1KB	1KB	1KB
Boot memory	ROM	0FFFh – 0C00h	0FFFh – 0C00h	0FFFh – 0C00h
	Size	256 Byte	256 Byte	256 Byte
RAM	Size	02FFh – 0200h	02FFh – 0200h	02FFh – 0200h
Peripherals	16-bit	01FFh – 0100h	01FFh – 0100h	01FFh – 0100h
	8-bit	0FFh – 010h	0FFh – 010h	0FFh – 010h
	8-bit SFR	0Fh – 00h	0Fh – 00h	0Fh – 00h

### bootstrap loader (BSL)

The MSP430 bootstrap loader (BSL) enables users to program the flash memory or RAM using a UART serial interface. Access to the MSP430 memory via the BSL is protected by user-defined password. For complete description of the features of the BSL and its implementation, see the Application report *Features of the MSP430 Bootstrap Loader*, Literature Number SLAA089.

BSL Function	DL Package Pins	RGZ Package Pins
Data Transmit	28 – P1.0	22 – P1.0
Data Receive	27 – P1.1	21 – P1.1

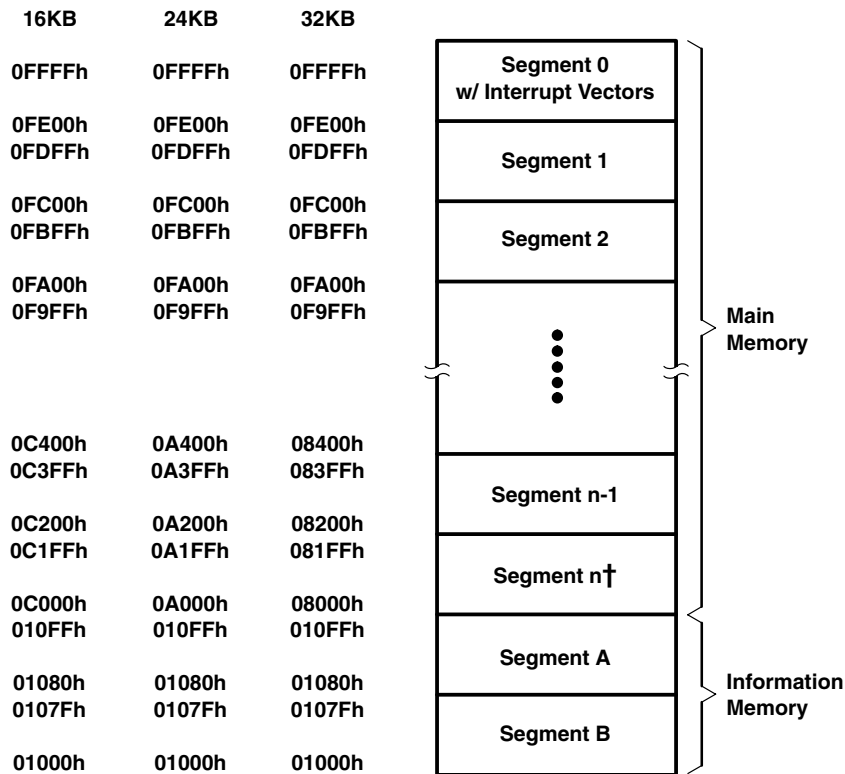
# MSP430F42x0 MIXED SIGNAL MICROCONTROLLER

SLAS455D – MARCH 2005 – REVISED APRIL 2007

## flash memory

The flash memory can be programmed via the JTAG port, the bootstrap loader, or in-system by the CPU. The CPU can perform single-byte and single-word writes to the flash memory. Features of the flash memory include:

- Flash memory has n segments of main memory and two segments of information memory (A and B) of 128 bytes each. Each segment in main memory is 512 bytes in size.
- Segments 0 to n may be erased in one step, or each segment may be individually erased.
- Segments A and B can be erased individually, or as a group with segments 0–n. Segments A and B are also called *information memory*.
- New devices may have some bytes programmed in the information memory (needed for test during manufacturing). The user should perform an erase of the information memory prior to the first use.



---

## peripherals

Peripherals are connected to the CPU through data, address, and control busses and can be handled using all instructions. For complete module descriptions, refer to the *MSP430x4xx Family User's Guide*, Literature Number SLAU056.

## oscillator and system clock

The clock system in the MSP430F42x0 family of devices is supported by the FLL+ module that includes support for a 32768 Hz watch crystal oscillator, an internal digitally-controlled oscillator (DCO) and a high frequency crystal oscillator. The FLL+ clock module is designed to meet the requirements of both low system cost and low-power consumption. The FLL+ features digital frequency locked loop (FLL) hardware which in conjunction with a digital modulator stabilizes the DCO frequency to a programmable multiple of the watch crystal frequency. The internal DCO provides a fast turn-on clock source and stabilizes in less than 6  $\mu$ s. The FLL+ module provides the following clock signals:

- Auxiliary clock (ACLK), sourced from a 32768 Hz watch crystal or a high frequency crystal.
- Main clock (MCLK), the system clock used by the CPU.
- Sub-Main clock (SMCLK), the sub-system clock used by the peripheral modules.
- ACLK/n, the buffered output of ACLK, ACLK/2, ACLK/4, or ACLK/8.

## brownout

The brownout circuit is implemented to provide the proper internal reset signal to the device during power-on and power-off. The CPU begins code execution after the brownout circuit releases the device reset. However,  $V_{CC}$  may not have ramped to  $V_{CC(min)}$  at that time. The user must insure the default FLL+ settings are not changed until  $V_{CC}$  reaches  $V_{CC(min)}$ .

## digital I/O

There are four 8-bit I/O ports implemented—ports P1, P2, P5 and P6:

- All individual I/O bits are independently programmable.
- Any combination of input, output, and interrupt conditions is possible.
- Edge-selectable interrupt input capability for all the eight bits of ports P1 and P2.
- Read/write access to port-control registers is supported by all instructions.

## Basic Timer1

The Basic Timer1 has two independent 8-bit timers which can be cascaded to form a 16-bit timer/counter. Both timers can be read and written by software. The Basic Timer1 can be used to generate periodic interrupts.

## LCD driver with regulated charge pump

The LCD\_A driver generates the segment and common signals required to drive an LCD display. The LCD\_A controller has dedicated data memory to hold segment drive information. Common and segment signals are generated as defined by the mode. Static, 2-MUX, 3-MUX, and 4-MUX LCDs are supported by this peripheral. The module can provide a LCD voltage independent of the supply voltage via an integrated charge pump. Furthermore it is possible to control the level of the LCD voltage and thus contrast in software.

## watchdog timer

The primary function of the watchdog timer (WDT+) module is to perform a controlled system restart after a software problem occurs. If the selected time interval expires, a system reset is generated. If the watchdog function is not needed in an application, the module can be configured as an interval timer and can generate interrupts at selected time intervals.

# MSP430F42x0 MIXED SIGNAL MICROCONTROLLER

SLAS455D – MARCH 2005 – REVISED APRIL 2007

## timer\_A3

Timer\_A3 is a 16-bit timer/counter with three capture/compare registers. Timer\_A3 can support multiple capture/comparisons, PWM outputs, and interval timing. Timer\_A3 also has extensive interrupt capabilities. Interrupts may be generated from the counter on overflow conditions and from each of the capture/compare registers.

Timer_A3 Signal Connections							
Input Pin Number		Device Input Signal	Module Input Name	Module Block	Module Output Signal	Output Pin Number	
DL	RGZ					DL	RGZ
23 - P1.5	17 - P1.5	TACLK	TACLK	Timer	NA		
		ACLK	ACLK				
		SMCLK	SMCLK				
23 - P1.5	17 - P1.5	$\overline{\text{TACLK}}$	INCLK				
28 - P1.0	22 - P1.0	TA0	CCI0A	CCR0	TA0	28 - P1.0	22 - P1.0
27 - P1.1	21 - P1.1	TA0	CCI0B				
		DV <sub>SS</sub>	GND				
		DV <sub>CC</sub>	V <sub>CC</sub>				
26 - P1.2	20 - P1.2	TA1	CCI1A	CCR1	TA1	26 - P1.2	20 - P1.2
26 - P1.2	20 - P1.2	TA1	CCI1B				
		DV <sub>SS</sub>	GND				
		DV <sub>CC</sub>	V <sub>CC</sub>				
25 - P1.3	19 - P1.3	TA2	CCI2A	CCR2	TA2	25 - P1.3	19 - P1.3
		ACLK (internal)	CCI2B				
		DV <sub>SS</sub>	GND				
		DV <sub>CC</sub>	V <sub>CC</sub>				

## SD16\_A

The SD16\_A module supports 16-bit analog-to-digital conversions. The module implements a 16-bit sigma-delta core and reference generator. In addition to external analog inputs, an internal V<sub>CC</sub> sense and temperature sensor are also available.

## DAC12

The DAC12 module is a 12-bit, R-ladder, voltage output DAC. The DAC12 may be used in 8- or 12-bit mode.



**peripheral file map**

<b>PERIPHERALS WITH WORD ACCESS</b>			
<b>Watchdog</b>	Watchdog timer control	WDTCTL	0120h
<b>Timer_A3</b>	Capture/compare register 2	TACCR2	0176h
	Capture/compare register 1	TACCR1	0174h
	Capture/compare register 0	TACCR0	0172h
	Timer_A register	TAR	0170h
	Capture/compare control 2	TACCTL2	0166h
	Capture/compare control 1	TACCTL1	0164h
	Capture/compare control 0	TACCTL0	0162h
	Timer_A control	TACTL	0160h
	Timer_A interrupt vector	TAIV	012Eh
<b>Flash</b>	Flash control 3	FCTL3	012Ch
	Flash control 2	FCTL2	012Ah
	Flash control 1	FCTL1	0128h
<b>DAC12</b>	DAC12_0 data	DAC12_0DAT	01C8h
	DAC12_0 control	DAC12_0CTL	01C0h
<b>SD16_A</b> (see also: Peripherals with Byte Access)	General Control	SD16CTL	0100h
	Channel 0 Control	SD16CCTL0	0102h
	Interrupt vector word register	SD16IV	0110h
	Channel 0 conversion memory	SD16MEM0	0112h
<b>PERIPHERALS WITH BYTE ACCESS</b>			
<b>SD16_A</b> (see also: Peripherals with Word Access)	Channel 0 Input Control	SD16INCTL0	0B0h
	Analog Enable	SD16AE	0B7h
<b>LCD_A</b>	LCD Voltage Control 1	LCDAVCTL1	0AFh
	LCD Voltage Control 0	LCDAVCTL0	0AEh
	LCD Voltage Port Control 1	LCDAPCTL1	0ADh
	LCD Voltage Port Control 0	LCDAPCTL0	0ACh
	LCD memory 20	LCDM20	0A4h
	:	:	:
	LCD memory 16	LCDM16	0A0h
	LCD memory 15	LCDM15	09Fh
	:	:	:
	LCD memory 1	LCDM1	091h
LCD control and mode	LCDACTL	090h	
<b>FLL+ Clock</b>	FLL+ Control 1	FLL_CTL1	054h
	FLL+ Control 0	FLL_CTL0	053h
	System clock frequency control	SCFQCTL	052h
	System clock frequency integrator	SCFI1	051h
	System clock frequency integrator	SCFI0	050h
<b>Basic Timer1</b>	BT counter 2	BTCNT2	047h
	BT counter 1	BTCNT1	046h
	BT control	BTCTL	040h

# MSP430F42x0 MIXED SIGNAL MICROCONTROLLER

SLAS455D – MARCH 2005 – REVISED APRIL 2007

## peripheral file map (continued)

PERIPHERALS WITH BYTE ACCESS (CONTINUED)			
<b>Port P6</b>	Port P6 selection	P6SEL	037h
	Port P6 direction	P6DIR	036h
	Port P6 output	P6OUT	035h
	Port P6 input	P6IN	034h
<b>Port P5</b>	Port P5 selection	P5SEL	033h
	Port P5 direction	P5DIR	032h
	Port P5 output	P5OUT	031h
	Port P5 input	P5IN	030h
<b>Port P2</b>	Port P2 selection	P2SEL	02Eh
	Port P2 interrupt enable	P2IE	02Dh
	Port P2 interrupt-edge select	P2IES	02Ch
	Port P2 interrupt flag	P2IFG	02Bh
	Port P2 direction	P2DIR	02Ah
	Port P2 output	P2OUT	029h
	Port P2 input	P2IN	028h
	<b>Port P1</b>	Port P1 selection	P1SEL
Port P1 interrupt enable		P1IE	025h
Port P1 interrupt-edge select		P1IES	024h
Port P1 interrupt flag		P1IFG	023h
Port P1 direction		P1DIR	022h
Port P1 output		P1OUT	021h
Port P1 input		P1IN	020h
<b>Special functions</b>	SFR module enable 2	ME2	005h
	SFR module enable 1	ME1	004h
	SFR interrupt flag 2	IFG2	003h
	SFR interrupt flag 1	IFG1	002h
	SFR interrupt enable 2	IE2	001h
	SFR interrupt enable 1	IE1	000h





**absolute maximum ratings over operating free-air temperature (unless otherwise noted)†**

Voltage applied at $V_{CC}$ to $V_{SS}$ .....	-0.3 V to 4.1 V
Voltage applied to any pin (see Note) .....	-0.3 V to $V_{CC} + 0.3$ V
Diode current at any device terminal .....	$\pm 2$ mA
Storage temperature, $T_{stg}$ : (unprogrammed device) .....	-55°C to 150°C
(programmed device) .....	-40°C to 85°C

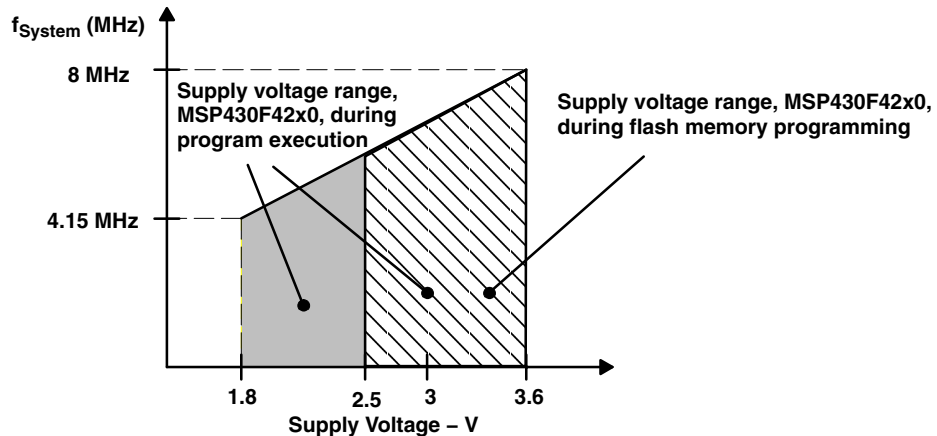
† Stresses beyond those listed under “absolute maximum ratings” may cause permanent damage to the device. These are stress ratings only, and functional operation of the device at these or any other conditions beyond those indicated under “recommended operating conditions” is not implied. Exposure to absolute-maximum-rated conditions for extended periods may affect device reliability.

NOTE: All voltages referenced to  $V_{SS}$ . The JTAG fuse-blow voltage,  $V_{FB}$ , is allowed to exceed the absolute maximum rating. The voltage is applied to the TDI/TCLK pin when blowing the JTAG fuse.

**recommended operating conditions**

			MIN	NOM	MAX	UNITS
Supply voltage during program execution (see Note 1), $V_{CC}$ ( $AV_{CC} = DV_{CC} = V_{CC}$ )			1.8		3.6	V
Supply voltage during flash memory programming (see Note 1), $V_{CC}$ ( $AV_{CC} = DV_{CC} = V_{CC}$ )			2.5		3.6	V
Supply voltage, $V_{SS}$ ( $AV_{SS} = DV_{SS} = V_{SS}$ )			0		0	V
Operating free-air temperature range, $T_A$			-40		85	°C
LFXT1 crystal frequency, $f_{(LFXT1)}$ (see Note 2)	LF selected, XTS_FLL=0	Watch crystal		32.768		kHz
	XT1 selected, XTS_FLL=1	Ceramic resonator	450		8000	kHz
	XT1 selected, XTS_FLL=1	Crystal	1000		8000	kHz
Processor frequency (signal MCLK), $f_{(System)}$		$V_{CC} = 1.8$ V	DC		4.15	MHz
		$V_{CC} = 3.6$ V	DC		8	

- NOTES: 1. It is recommended to power  $AV_{CC}$  and  $DV_{CC}$  from the same source. A maximum difference of 0.3 V between  $AV_{CC}$  and  $DV_{CC}$  can be tolerated during power up and operation.  
2. In LF mode, the LFXT1 oscillator requires a watch crystal. In XT1 mode, LFXT1 accepts a ceramic resonator or a crystal.



**Figure 1. Frequency vs Supply Voltage, typical characteristic**

# MSP430F42x0 MIXED SIGNAL MICROCONTROLLER

SLAS455D – MARCH 2005 – REVISED APRIL 2007

electrical characteristics over recommended operating free-air temperature (unless otherwise noted)

supply current into AV<sub>CC</sub> + DV<sub>CC</sub> excluding external current

PARAMETER		TEST CONDITIONS		MIN	NOM	MAX	UNIT
I <sub>(AM)</sub>	Active mode, (see Note 1) f <sub>(MCLK)</sub> = f <sub>(SMCLK)</sub> = 1 MHz, f <sub>(ACLK)</sub> = 32,768 Hz XTS=0, SELM=(0,1)	T <sub>A</sub> = -40°C to 85°C	V <sub>CC</sub> = 2.2 V	250	370	μA	
			V <sub>CC</sub> = 3 V	400	520		
I <sub>(LPM0)</sub>	Low-power mode, (LPM0) (see Note 1 and Note 4)	T <sub>A</sub> = -40°C to 85°C	V <sub>CC</sub> = 2.2 V	55	70	μA	
			V <sub>CC</sub> = 3 V	95	110		
I <sub>(LPM2)</sub>	Low-power mode, (LPM2), f <sub>(MCLK)</sub> = f <sub>(SMCLK)</sub> = 0 MHz, f <sub>(ACLK)</sub> = 32,768 Hz, SCG0 = 0 (see Note 2 and Note 4)	T <sub>A</sub> = -40°C to 85°C	V <sub>CC</sub> = 2.2 V	11	14	μA	
			V <sub>CC</sub> = 3 V	17	22		
I <sub>(LPM3)</sub>	Low-power mode, (LPM3) f <sub>(MCLK)</sub> = f <sub>(SMCLK)</sub> = 0 MHz, f <sub>(ACLK)</sub> = 32,768 Hz, SCG0 = 1 Basic Timer1 enabled , ACLK selected LCD_A enabled, LCDCPEN = 0: (static mode ; f <sub>LCD</sub> = f <sub>(ACLK)/32) (see Note 2, Note 3, and Note 4)</sub>	T <sub>A</sub> = -40°C	V <sub>CC</sub> = 2.2 V	1.0	2.0	μA	
				T <sub>A</sub> = 25°C	1.1		2.0
				T <sub>A</sub> = 60°C	2.0		3.0
				T <sub>A</sub> = 85°C	3.5		6.0
		T <sub>A</sub> = -40°C	V <sub>CC</sub> = 3 V	1.8	2.8		
				T <sub>A</sub> = 25°C	1.6		2.7
				T <sub>A</sub> = 60°C	2.5		3.5
				T <sub>A</sub> = 85°C	4.2		7.5
I <sub>(LPM3)</sub>	Low-power mode, (LPM3) f <sub>(MCLK)</sub> = f <sub>(SMCLK)</sub> = 0 MHz, f <sub>(ACLK)</sub> = 32,768 Hz, SCG0 = 1 Basic Timer1 enabled , ACLK selected LCD_A enabled, LCDCPEN = 0: (4-mux mode; f <sub>LCD</sub> = f <sub>(ACLK)/32) (see Note 2, Note 3, and Note 4)</sub>	T <sub>A</sub> = -40°C	V <sub>CC</sub> = 2.2 V	2.5	3.5	μA	
				T <sub>A</sub> = 25°C	2.5		3.5
				T <sub>A</sub> = 85°C	3.8		6.0
		T <sub>A</sub> = -40°C	V <sub>CC</sub> = 3 V	2.9	4.0		
				T <sub>A</sub> = 25°C	2.9		4.0
				T <sub>A</sub> = 85°C	4.4		7.5
I <sub>(LPM4)</sub>	Low-power mode, (LPM4) f <sub>(MCLK)</sub> = 0 MHz, f <sub>(SMCLK)</sub> = 0 MHz, f <sub>(ACLK)</sub> = 0 Hz, SCG0 = 1 (see Note 2 and Note 4)	T <sub>A</sub> = -40°C	V <sub>CC</sub> = 2.2 V	0.1	0.5	μA	
				T <sub>A</sub> = 25°C	0.1		0.5
				T <sub>A</sub> = 60°C	0.7		1.1
				T <sub>A</sub> = 85°C	1.7		3.0
		T <sub>A</sub> = -40°C	V <sub>CC</sub> = 3 V	0.1	0.8		
				T <sub>A</sub> = 25°C	0.1		0.8
				T <sub>A</sub> = 60°C	0.8		1.2
				T <sub>A</sub> = 85°C	1.9		3.5

- NOTES: 1. Timer\_A is clocked by f<sub>(DCCOCLK)</sub> = f<sub>(DCO)</sub> = 1 MHz. All inputs are tied to 0 V or to V<sub>CC</sub>. Outputs do not source or sink any current.  
 2. All inputs are tied to 0 V or to V<sub>CC</sub>. Outputs do not source or sink any current.  
 3. The LPM3 currents are characterized with a Micro Crystal CC4V-T1A (9pF) crystal and OSCCAPx=01h.  
 4. Current for brownout included.

### Current consumption of active mode versus system frequency

$$I_{(AM)} = I_{(AM)} [1 \text{ MHz}] \times f_{(System)} [\text{MHz}]$$

### Current consumption of active mode versus supply voltage

$$I_{(AM)} = I_{(AM)} [3 \text{ V}] + 175 \mu\text{A/V} \times (V_{CC} - 3 \text{ V})$$



**electrical characteristics over recommended operating free-air temperature (unless otherwise noted) (continued)**

**SCHMITT-trigger inputs – Ports P1, P2, P5, and P6;  $\overline{\text{RST}}/\text{NMI}$ ; JTAG: TCK, TMS, TDI/TCLK, TDO/TDI**

PARAMETER		TEST CONDITIONS	MIN	TYP	MAX	UNIT
$V_{IT+}$	Positive-going input threshold voltage	$V_{CC} = 2.2 \text{ V}$	1.1		1.55	V
		$V_{CC} = 3 \text{ V}$	1.5		1.98	
$V_{IT-}$	Negative-going input threshold voltage	$V_{CC} = 2.2 \text{ V}$	0.4		0.9	V
		$V_{CC} = 3 \text{ V}$	0.9		1.3	
$V_{hys}$	Input voltage hysteresis ( $V_{IT+} - V_{IT-}$ )	$V_{CC} = 2.2 \text{ V}$	0.3		1.1	V
		$V_{CC} = 3 \text{ V}$	0.5		1	

**inputs Px.x, TA<sub>x</sub>**

PARAMETER		TEST CONDITIONS	$V_{CC}$	MIN	TYP	MAX	UNIT
$t_{(int)}$	External interrupt timing	Port P1, P2: P1.x to P2.x, external trigger signal for the interrupt flag, (see Note 1)	2.2 V	62			ns
			3 V	50			
$t_{(cap)}$	Timer_A capture timing	TA0, TA1, TA2	2.2 V	62			ns
			3 V	50			
$f_{(TAext)}$	Timer_A clock frequency externally applied to pin	TACLK, INCLK: $t_{(H)} = t_{(L)}$	2.2 V			8	MHz
			3 V			10	
$f_{(TAint)}$	Timer_A, clock frequency	SMCLK or ACLK signal selected	2.2 V			8	MHz
			3 V			10	

NOTES: 1. The external signal sets the interrupt flag every time the minimum  $t_{(int)}$  parameters are met. It may be set even with trigger signals shorter than  $t_{(int)}$ .

**leakage current – Ports P1, P2, P5, and P6 (see Note 1)**

PARAMETER		TEST CONDITIONS		MIN	TYP	MAX	UNIT
$I_{lkg(Px.y)}$	Leakage current	Port Px	$V_{(Px.y)}$ (see Note 2)	$V_{CC} = 2.2 \text{ V}/3 \text{ V}$		±50	nA

NOTES: 1. The leakage current is measured with  $V_{SS}$  or  $V_{CC}$  applied to the corresponding pin(s), unless otherwise noted.  
2. The port pin must be selected as input.

# MSP430F42x0 MIXED SIGNAL MICROCONTROLLER

SLAS455D – MARCH 2005 – REVISED APRIL 2007

## electrical characteristics over recommended operating free-air temperature (unless otherwise noted) (continued)

### outputs – Ports P1, P2, P5, and P6

PARAMETER		TEST CONDITIONS			MIN	TYP	MAX	UNIT
V <sub>OH</sub>	High-level output voltage	I <sub>OH(max)</sub> = -1.5 mA, V <sub>CC</sub> = 2.2 V, See Note 1	V <sub>CC</sub> -0.25		V <sub>CC</sub>		V	
		I <sub>OH(max)</sub> = -6 mA, V <sub>CC</sub> = 2.2 V, See Note 2	V <sub>CC</sub> -0.6		V <sub>CC</sub>			
		I <sub>OH(max)</sub> = -1.5 mA, V <sub>CC</sub> = 3 V, See Note 1	V <sub>CC</sub> -0.25		V <sub>CC</sub>			
		I <sub>OH(max)</sub> = -6 mA, V <sub>CC</sub> = 3 V, See Note 2	V <sub>CC</sub> -0.6		V <sub>CC</sub>			
V <sub>OL</sub>	Low-level output voltage	I <sub>OL(max)</sub> = 1.5 mA, V <sub>CC</sub> = 2.2 V, See Note 1	V <sub>SS</sub>		V <sub>SS</sub> +0.25		V	
		I <sub>OL(max)</sub> = 6 mA, V <sub>CC</sub> = 2.2 V, See Note 2	V <sub>SS</sub>		V <sub>SS</sub> +0.6			
		I <sub>OL(max)</sub> = 1.5 mA, V <sub>CC</sub> = 3 V, See Note 1	V <sub>SS</sub>		V <sub>SS</sub> +0.25			
		I <sub>OL(max)</sub> = 6 mA, V <sub>CC</sub> = 3 V, See Note 2	V <sub>SS</sub>		V <sub>SS</sub> +0.6			

- NOTES: 1. The maximum total current, I<sub>OH(max)</sub> and I<sub>OL(max)</sub>, for all outputs combined, should not exceed ±12 mA to satisfy the maximum specified voltage drop.  
 2. The maximum total current, I<sub>OH(max)</sub> and I<sub>OL(max)</sub>, for all outputs combined, should not exceed ±48 mA to satisfy the maximum specified voltage drop.

### output frequency

PARAMETER		TEST CONDITIONS		MIN	TYP	MAX	UNIT
f <sub>(Px.y)</sub>	(x = 1, 2, 5, 6; 0 ≤ y ≤ 7)	C <sub>L</sub> = 20 pF, I <sub>L</sub> = ±1.5 mA	V <sub>CC</sub> = 2.2 V / 3 V	DC		f <sub>System</sub>	MHz
f <sub>(MCLK)</sub>	P1.1/TA0/MCLK	C <sub>L</sub> = 20 pF				f <sub>System</sub>	MHz
t <sub>(Xdc)</sub>	Duty cycle of output frequency	P1.1/TA0/MCLK, C <sub>L</sub> = 20 pF, V <sub>CC</sub> = 2.2 V / 3 V	f <sub>(MCLK)</sub> = f <sub>(XT1)</sub>	40%		60%	
			f <sub>(MCLK)</sub> = f <sub>(DCOCLK)</sub>	50%– 15 ns	50%	50%+ 15 ns	



electrical characteristics over recommended operating free-air temperature (unless otherwise noted) (continued)

outputs – Ports P1, P2, P5, and P6 (continued)

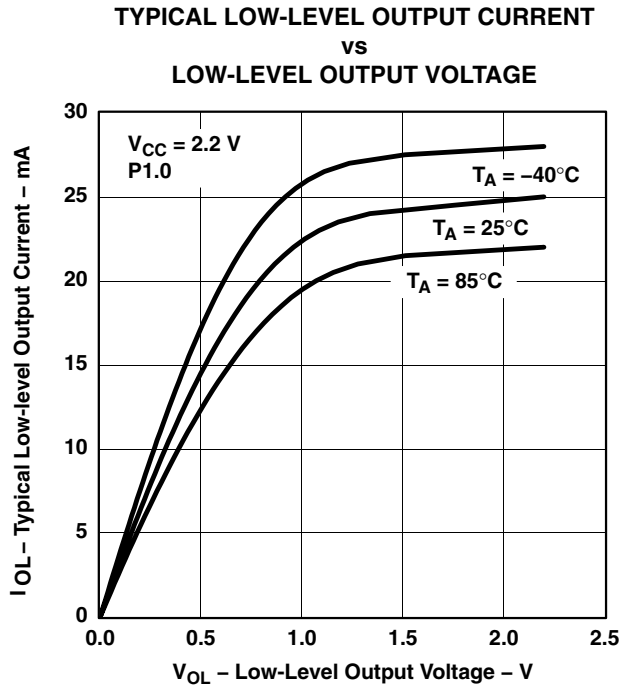


Figure 2

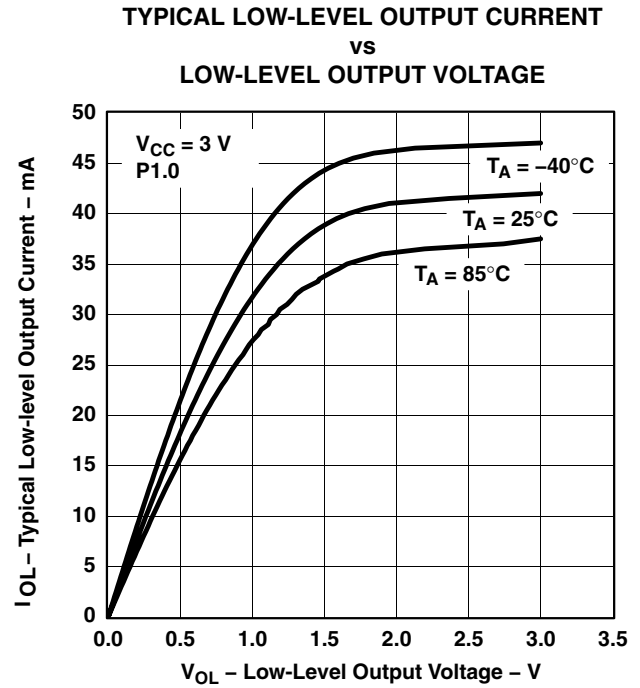


Figure 3

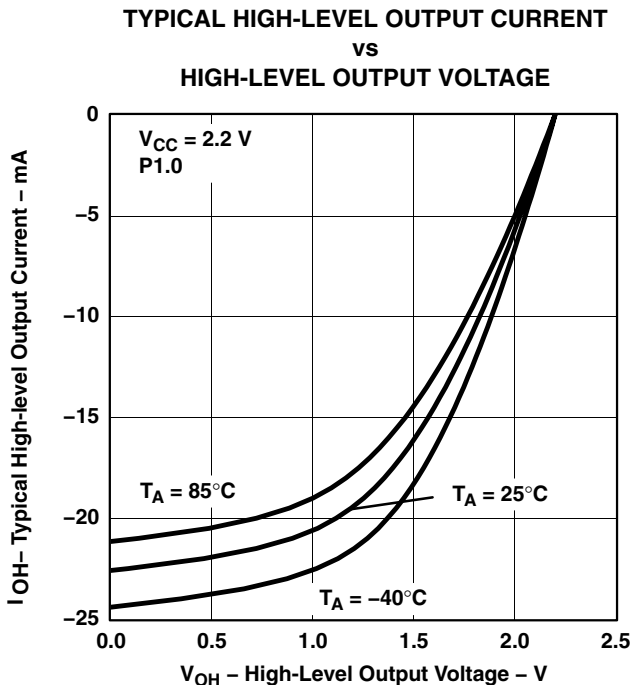


Figure 4

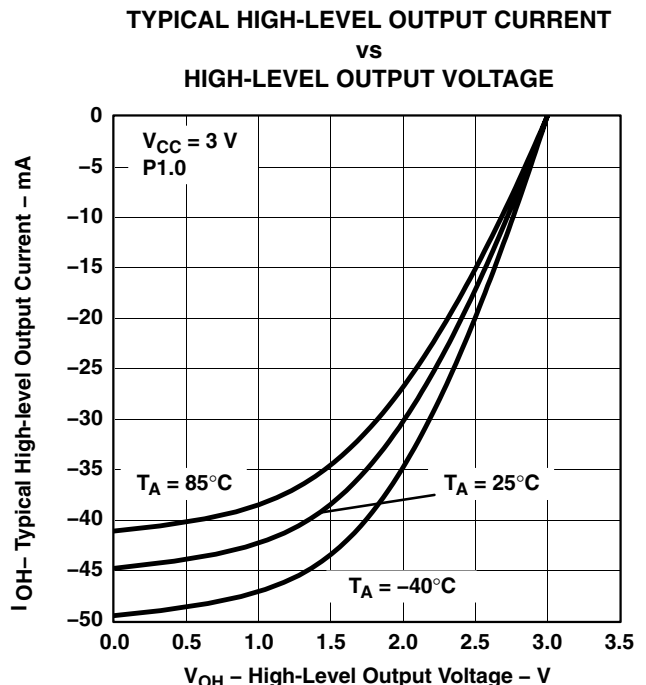


Figure 5

# MSP430F42x0 MIXED SIGNAL MICROCONTROLLER

SLAS455D – MARCH 2005 – REVISED APRIL 2007

## electrical characteristics over recommended operating free-air temperature (unless otherwise noted) (continued)

### wake-up LPM3

PARAMETER		TEST CONDITIONS		MIN	TYP	MAX	UNIT
$t_{d(LPM3)}$	Delay time	$f = 1 \text{ MHz}$	$V_{CC} = 2.2 \text{ V}/3 \text{ V}$			6	$\mu\text{s}$
		$f = 2 \text{ MHz}$				6	
		$f = 3 \text{ MHz}$				6	

### RAM

PARAMETER	TEST CONDITIONS	MIN	TYP	MAX	UNIT
VRAMh	CPU halted (see Note 1)	1.6			V

NOTE 1: This parameter defines the minimum supply voltage when the data in program memory RAM remain unchanged. No program execution should take place during this supply voltage condition.

### LCD\_A

PARAMETER		TEST CONDITIONS	VCC	MIN	TYP	MAX	UNIT
$V_{CC(LCD)}$	Supply Voltage Range	Charge pump enabled (LCDPEN = 1; VLCDx > 0000)		2.2		3.6	V
$C_{LCD}$	Capacitor on LCDCAP (see Note 1)	Charge pump enabled (LCDPEN = 1; VLCDx > 0000)		4.7			$\mu\text{F}$
$I_{CC(LCD)}$	Average Supply Current (see Note 2)	$V_{LCD(typ)} = 3\text{V}$ ; LCDPEN = 1; VLCDx = 1000, all segments on $f_{LCD} = f_{ACLK}/32$ no LCD connected (see Note 3) $T_A = 25^\circ\text{C}$	2.2 V		3.8		$\mu\text{A}$
$f_{LCD}$	LCD frequency					1.1	kHz
$V_{LCD}$	LCD voltage	VLCDx = 0000			VCC		V
$V_{LCD}$	LCD voltage	VLCDx = 0001			2.60		V
$V_{LCD}$	LCD voltage	VLCDx = 0010			2.66		V
$V_{LCD}$	LCD voltage	VLCDx = 0011			2.72		V
$V_{LCD}$	LCD voltage	VLCDx = 0100			2.78		V
$V_{LCD}$	LCD voltage	VLCDx = 0101			2.84		V
$V_{LCD}$	LCD voltage	VLCDx = 0110			2.90		V
$V_{LCD}$	LCD voltage	VLCDx = 0111			2.96		V
$V_{LCD}$	LCD voltage	VLCDx = 1000			3.02		V
$V_{LCD}$	LCD voltage	VLCDx = 1001			3.08		V
$V_{LCD}$	LCD voltage	VLCDx = 1010			3.14		V
$V_{LCD}$	LCD voltage	VLCDx = 1011			3.20		V
$V_{LCD}$	LCD voltage	VLCDx = 1100			3.26		V
$V_{LCD}$	LCD voltage	VLCDx = 1101			3.32		V
$V_{LCD}$	LCD voltage	VLCDx = 1110			3.38		V
$V_{LCD}$	LCD voltage	VLCDx = 1111			3.44	3.60	V
$R_{LCD}$	LCD Driver Output impedance	$V_{LCD} = 3\text{V}$ ; LCDPEN = 1; VLCDx = 1000, $I_{LOAD} = \pm 10\mu\text{A}$	2.2 V			10	k $\Omega$

NOTES: 1. Enabling the internal charge pump with an external capacitor smaller than the minimum specified might damage the device.  
2. Refer to the supply current specifications  $I_{(LPM3)}$  for additional current specifications with the LCD\_A module active.  
3. Connecting an actual display will increase the current consumption depending on the size of the LCD.



electrical characteristics over recommended operating free-air temperature (unless otherwise noted) (continued)

POR/brownout reset (BOR) (see Note 1)

PARAMETER	TEST CONDITIONS	MIN	TYP	MAX	UNIT
$t_{d(BOR)}$				2000	$\mu s$
$V_{CC(start)}$	$dV_{CC}/dt \leq 3 \text{ V/s}$ (see Figure 6)		$0.7 \times V_{(B\_IT-)}$		V
$V_{(B\_IT-)}$	$dV_{CC}/dt \leq 3 \text{ V/s}$ (see Figure 6 through Figure 8)			1.71	V
$V_{hys(B\_IT-)}$	$dV_{CC}/dt \leq 3 \text{ V/s}$ (see Figure 6)	70	130	180	mV
$t_{(reset)}$	Pulse length needed at $\overline{RST}/NMI$ pin to accepted reset internally, $V_{CC} = 2.2 \text{ V}/3 \text{ V}$	2			$\mu s$

- NOTES: 1. The current consumption of the brownout module is already included in the  $I_{CC}$  current consumption data. The voltage level  $V_{(B\_IT-)} + V_{hys(B\_IT-)}$  is  $\leq 1.8\text{V}$ .
2. During power up, the CPU begins code execution following a period of  $t_{d(BOR)}$  after  $V_{CC} = V_{(B\_IT-)} + V_{hys(B\_IT-)}$ . The default FLL+ settings must not be changed until  $V_{CC} \geq V_{CC(min)}$ , where  $V_{CC(min)}$  is the minimum supply voltage for the desired operating frequency. See the *MSP430x4xx Family User's Guide* (SLAU056) for more information on the brownout.

typical characteristics

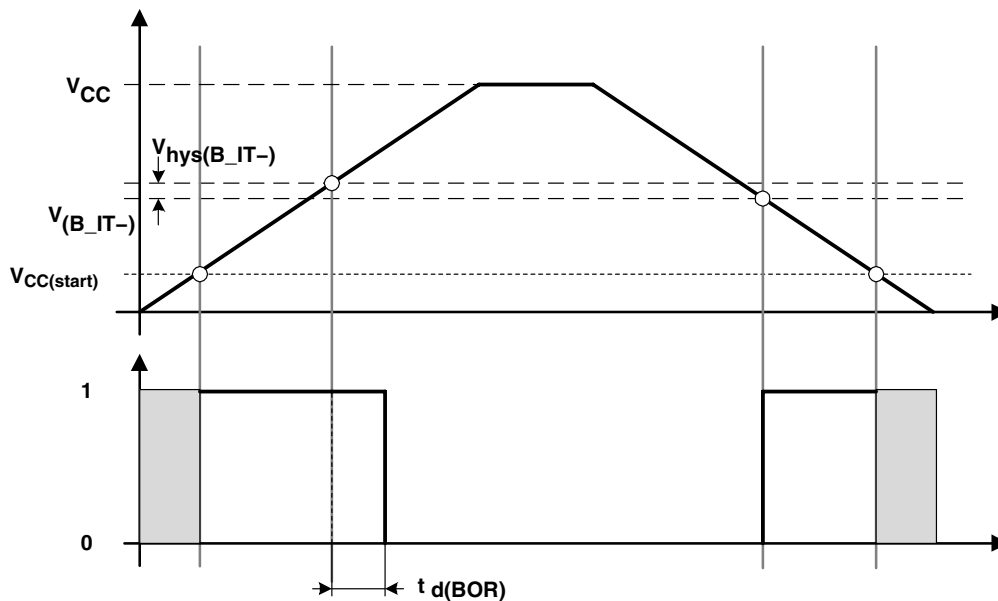


Figure 6. POR/Brownout Reset (BOR) vs Supply Voltage

# MSP430F42x0 MIXED SIGNAL MICROCONTROLLER

SLAS455D – MARCH 2005 – REVISED APRIL 2007

electrical characteristics over recommended operating free-air temperature (unless otherwise noted) (continued)

typical characteristics (continued)

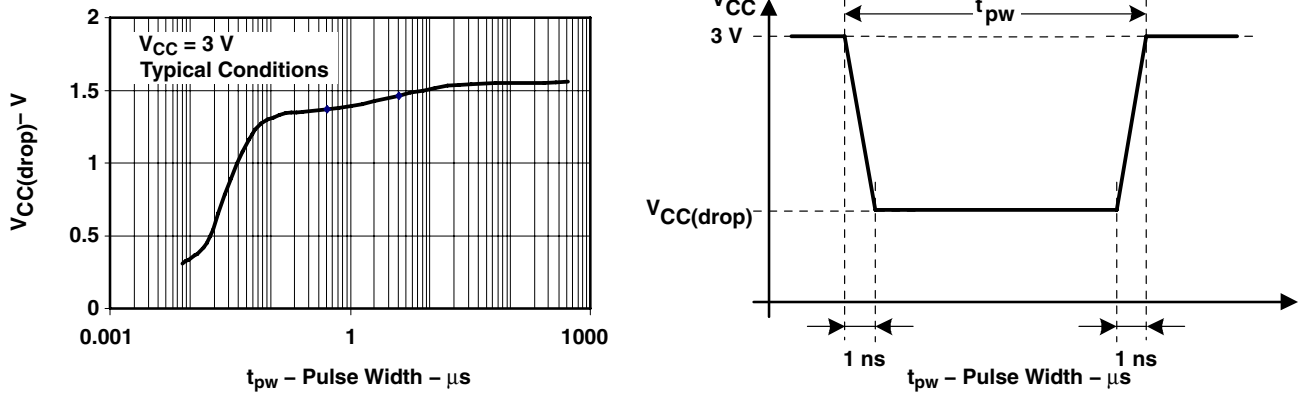


Figure 7.  $V_{CC(min)}$  Level With a Square Voltage Drop to Generate a POR/Brownout Signal

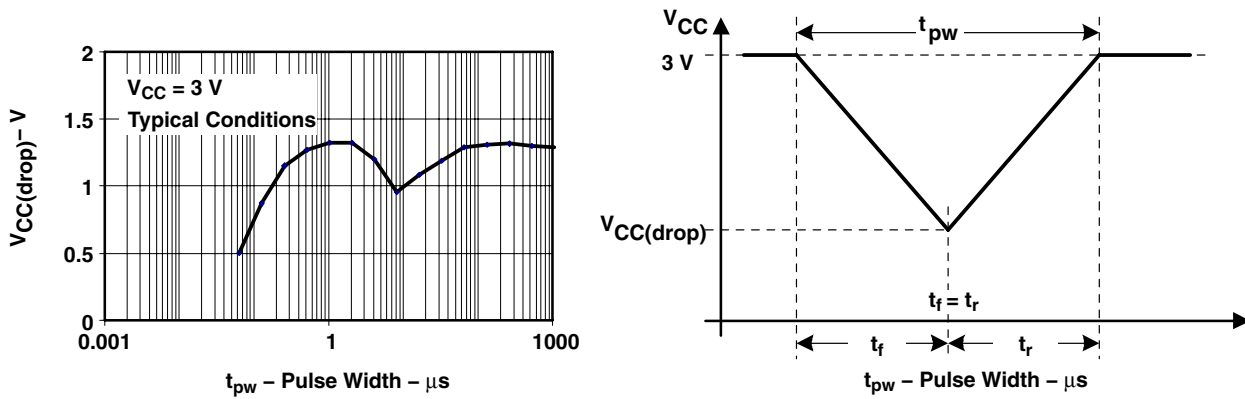


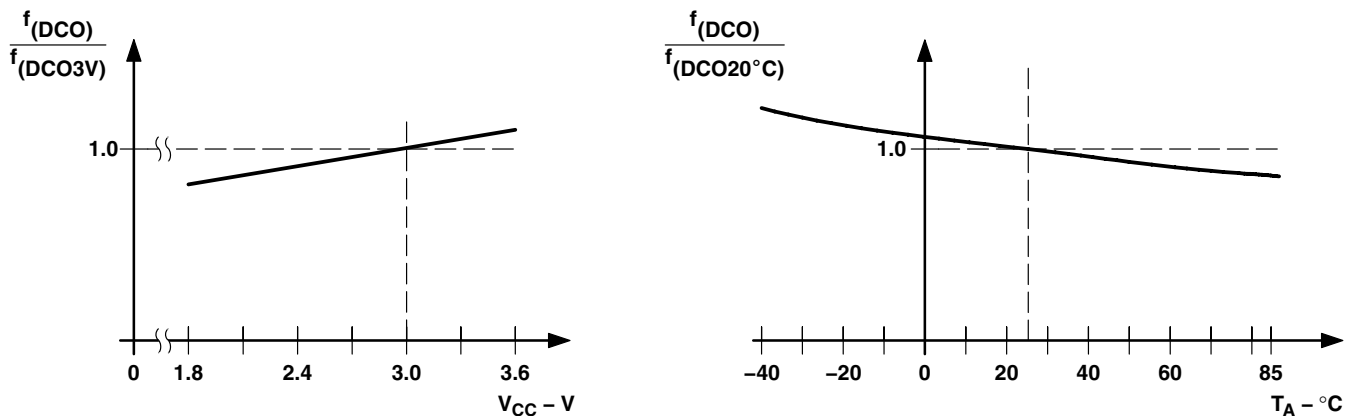
Figure 8.  $V_{CC(drop)}$  Level With a Triangle Voltage Drop to Generate a POR/Brownout Signal



**electrical characteristics over recommended operating free-air temperature (unless otherwise noted)**

**DCO**

PARAMETER	TEST CONDITIONS	V <sub>CC</sub>	MIN	TYP	MAX	UNIT
f <sub>(DCOCLK)</sub>	N <sub>(DCO)</sub> =01Eh, FN <sub>8</sub> =FN <sub>4</sub> =FN <sub>3</sub> =FN <sub>2</sub> =0, D = 2; DCOPLUS = 0, f <sub>Crystal</sub> = 32.768 kHz	2.2 V/3 V		1		MHz
f <sub>(DCO=2)</sub>	FN <sub>8</sub> =FN <sub>4</sub> =FN <sub>3</sub> =FN <sub>2</sub> =0; DCOPLUS = 1	2.2 V	0.3	0.65	1.25	MHz
		3 V	0.3	0.7	1.3	
f <sub>(DCO=27)</sub>	FN <sub>8</sub> =FN <sub>4</sub> =FN <sub>3</sub> =FN <sub>2</sub> =0; DCOPLUS = 1	2.2 V	2.5	5.6	10.5	MHz
		3 V	2.7	6.1	11.3	
f <sub>(DCO=2)</sub>	FN <sub>8</sub> =FN <sub>4</sub> =FN <sub>3</sub> =0, FN <sub>2</sub> =1; DCOPLUS = 1	2.2 V	0.7	1.3	2.3	MHz
		3 V	0.8	1.5	2.5	
f <sub>(DCO=27)</sub>	FN <sub>8</sub> =FN <sub>4</sub> =FN <sub>3</sub> =0, FN <sub>2</sub> =1; DCOPLUS = 1	2.2 V	5.7	10.8	18	MHz
		3 V	6.5	12.1	20	
f <sub>(DCO=2)</sub>	FN <sub>8</sub> =FN <sub>4</sub> =0, FN <sub>3</sub> = 1, FN <sub>2</sub> =x; DCOPLUS = 1	2.2 V	1.2	2	3	MHz
		3 V	1.3	2.2	3.5	
f <sub>(DCO=27)</sub>	FN <sub>8</sub> =FN <sub>4</sub> =0, FN <sub>3</sub> = 1, FN <sub>2</sub> =x; DCOPLUS = 1	2.2 V	9	15.5	25	MHz
		3 V	10.3	17.9	28.5	
f <sub>(DCO=2)</sub>	FN <sub>8</sub> =0, FN <sub>4</sub> = 1, FN <sub>3</sub> = FN <sub>2</sub> =x; DCOPLUS = 1	2.2 V	1.8	2.8	4.2	MHz
		3 V	2.1	3.4	5.2	
f <sub>(DCO=27)</sub>	FN <sub>8</sub> =0, FN <sub>4</sub> =1, FN <sub>3</sub> = FN <sub>2</sub> =x; DCOPLUS = 1	2.2 V	13.5	21.5	33	MHz
		3 V	16	26.6	41	
f <sub>(DCO=2)</sub>	FN <sub>8</sub> =1, FN <sub>4</sub> =FN <sub>3</sub> =FN <sub>2</sub> =x; DCOPLUS = 1	2.2 V	2.8	4.2	6.2	MHz
		3 V	4.2	6.3	9.2	
f <sub>(DCO=27)</sub>	FN <sub>8</sub> =1, FN <sub>4</sub> =FN <sub>3</sub> =FN <sub>2</sub> =x; DCOPLUS = 1	2.2 V	21	32	46	MHz
		3 V	30	46	70	
S <sub>n</sub>	Step size between adjacent DCO taps: S <sub>n</sub> = f <sub>DCO(Tap n+1)</sub> / f <sub>DCO(Tap n)</sub> (see Figure 10 for taps 21 to 27)	1 < TAP ≤ 20	1.06		1.11	
		TAP = 27	1.07		1.17	
D <sub>t</sub>	Temperature drift, N <sub>(DCO)</sub> = 01Eh, FN <sub>8</sub> =FN <sub>4</sub> =FN <sub>3</sub> =FN <sub>2</sub> =0 D = 2; DCOPLUS = 0, (see Note 2)	2.2 V	-0.2	-0.3	-0.4	%/°C
		3 V	-0.2	-0.3	-0.4	
D <sub>v</sub>	Drift with V <sub>CC</sub> variation, N <sub>(DCO)</sub> = 01Eh, FN <sub>8</sub> =FN <sub>4</sub> =FN <sub>3</sub> =FN <sub>2</sub> =0 D = 2; DCOPLUS = 0		0	5	15	%/V



**Figure 9. DCO Frequency vs Supply Voltage V<sub>CC</sub> and vs Ambient Temperature**

# MSP430F42x0 MIXED SIGNAL MICROCONTROLLER

SLAS455D – MARCH 2005 – REVISED APRIL 2007

electrical characteristics over recommended operating free-air temperature (unless otherwise noted) (continued)

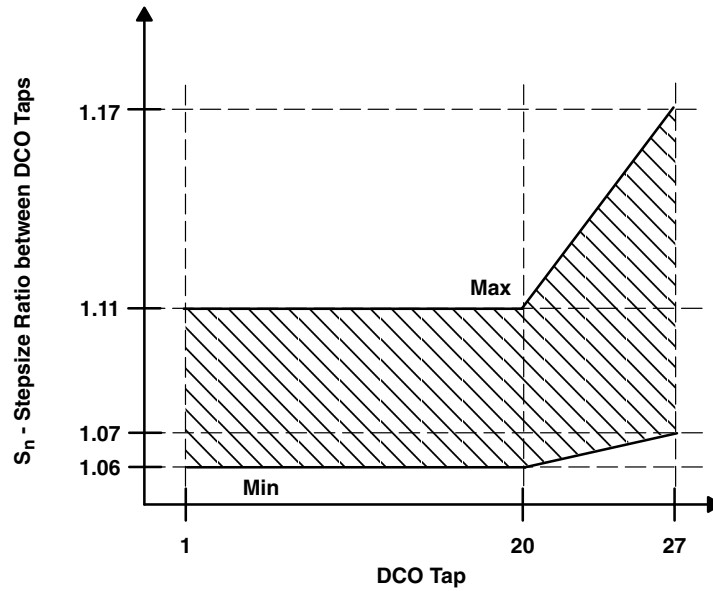


Figure 10. DCO Tap Step Size

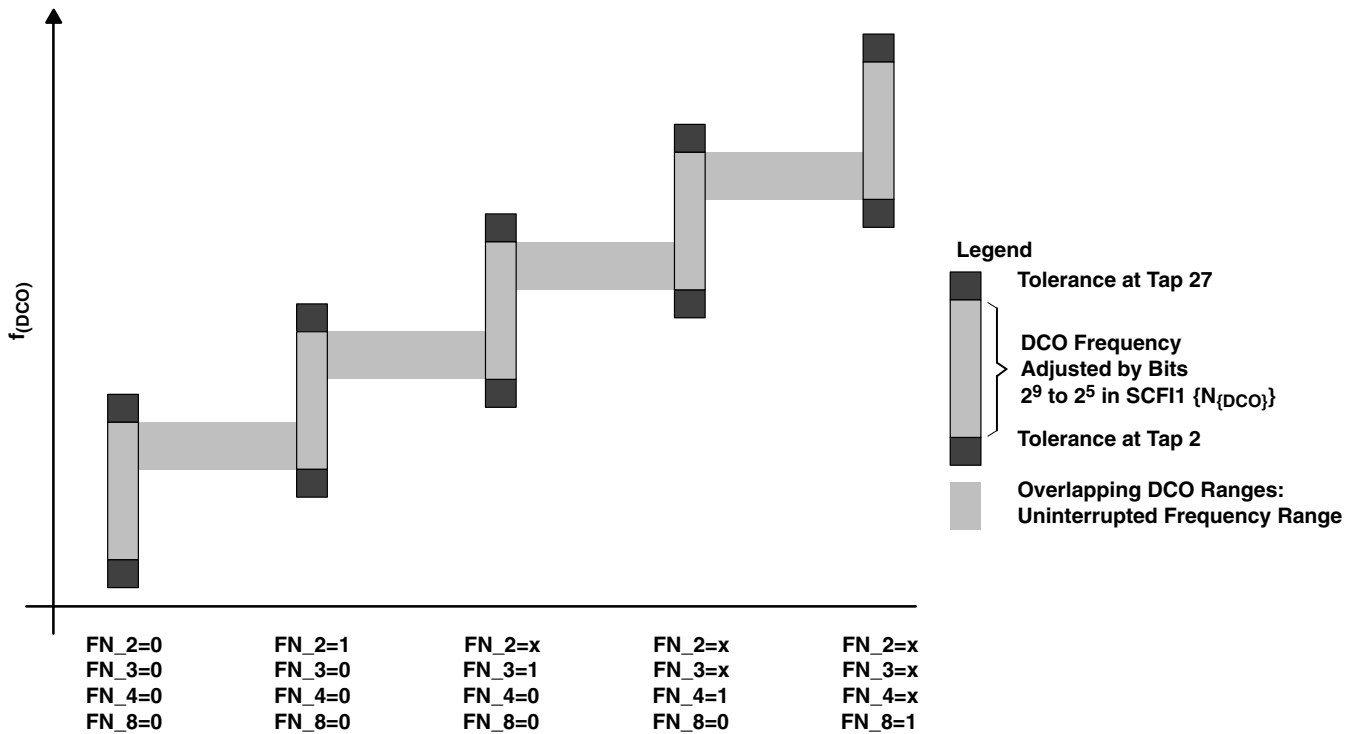


Figure 11. Five Overlapping DCO Ranges Controlled by FN\_x Bits

**electrical characteristics over recommended operating free-air temperature (unless otherwise noted)**

**crystal oscillator, LFXT1 oscillator (see Notes 1 and 2)**

PARAMETER		TEST CONDITIONS	MIN	TYP	MAX	UNIT
C <sub>XIN</sub>	Integrated input capacitance (see Note 4)	OSCCAPx = 0h, V <sub>CC</sub> = 2.2 V / 3 V		0		pF
		OSCCAPx = 1h, V <sub>CC</sub> = 2.2 V / 3 V		10		
		OSCCAPx = 2h, V <sub>CC</sub> = 2.2 V / 3 V		14		
		OSCCAPx = 3h, V <sub>CC</sub> = 2.2 V / 3 V		18		
C <sub>XOUT</sub>	Integrated output capacitance (see Note 4)	OSCCAPx = 0h, V <sub>CC</sub> = 2.2 V / 3 V		0		pF
		OSCCAPx = 1h, V <sub>CC</sub> = 2.2 V / 3 V		10		
		OSCCAPx = 2h, V <sub>CC</sub> = 2.2 V / 3 V		14		
		OSCCAPx = 3h, V <sub>CC</sub> = 2.2 V / 3 V		18		
V <sub>IL</sub>	Input levels at XIN	V <sub>CC</sub> = 2.2 V/3 V (see Note 3)	V <sub>SS</sub>		0.2×V <sub>CC</sub>	V
V <sub>IH</sub>			0.8×V <sub>CC</sub>		V <sub>CC</sub>	

- NOTES:
- The parasitic capacitance from the package and board may be estimated to be 2 pF. The effective load capacitor for the crystal is  $(C_{XIN} \times C_{XOUT}) / (C_{XIN} + C_{XOUT})$ . This is independent of XTS\_FLL.
  - To improve EMI on the low-power LFXT1 oscillator, particularly in the LF mode (32 kHz), the following guidelines should be observed.
    - Keep as short of a trace as possible between the 'F42x0 and the crystal.
    - Design a good ground plane around the oscillator pins.
    - Prevent crosstalk from other clock or data lines into oscillator pins XIN and XOUT.
    - Avoid running PCB traces underneath or adjacent to the XIN and XOUT pins.
    - Use assembly materials and praxis to avoid any parasitic load on the oscillator XIN and XOUT pins.
    - If conformal coating is used, ensure that it does not induce capacitive/resistive leakage between the oscillator pins.
    - Do not route the XOUT line to the JTAG header to support the serial programming adapter as shown in other documentation. This signal is no longer required for the serial programming adapter.
  - Applies only when using an external logic-level clock source. XTS\_FLL must be set. Not applicable when using a crystal or resonator.
  - External capacitance is recommended for precision real-time clock applications; OSCCAPx = 0h.

# MSP430F42x0 MIXED SIGNAL MICROCONTROLLER

SLAS455D – MARCH 2005 – REVISED APRIL 2007

electrical characteristics over recommended operating free-air temperature (unless otherwise noted) (continued)

## SD16\_A, power supply and recommended operating conditions

PARAMETER		TEST CONDITIONS		V <sub>CC</sub>	MIN	TYP	MAX	UNIT
AV <sub>CC</sub>	Analog supply voltage	AV <sub>CC</sub> = DV <sub>CC</sub> AV <sub>SS</sub> = DV <sub>SS</sub> = 0V			2.5		3.6	V
I <sub>SD16</sub>	Analog supply current including internal reference	SD16LP = 0, f <sub>SD16</sub> = 1 MHz, SD16OSR = 256	SD16BUFx = 00; GAIN: 1,2	3 V		650	950	μA
			SD16BUFx = 00; GAIN: 4,8,16	3 V		730	1100	
			SD16BUFx = 00; GAIN: 32	3 V		1050	1550	
		SD16LP = 1, f <sub>SD16</sub> = 0.5 MHz, SD16OSR = 256	SD16BUFx = 00; GAIN: 1	3 V		620	930	
			SD16BUFx = 00; GAIN: 32	3 V		700	1060	
			SD16LP = 0, f <sub>SD16</sub> = 1 MHz, SD16OSR = 256	SD16BUFx = 01; GAIN: 1	3 V		850	
SD16BUFx = 10; GAIN: 1	3 V			1130				
SD16BUFx = 11; GAIN: 1	3 V			1130				
f <sub>SD16</sub>	Analog front-end input clock frequency	SD16LP = 0 (Low power mode disabled)		3 V	0.03	1	1.1	MHz
		SD16LP = 1 (Low power mode enabled)		3 V	0.03	0.5		

## SD16\_A, input range

PARAMETER		TEST CONDITIONS		V <sub>CC</sub>	MIN	TYP	MAX	UNIT
V <sub>ID,FSR</sub>	Differential full scale input voltage range	Bipolar Mode, SD16UNI = 0			-V <sub>REF</sub> /2GAIN		+V <sub>REF</sub> /2GAIN	mV
		Unipolar Mode, SD16UNI = 1			0		+V <sub>REF</sub> /2GAIN	mV
V <sub>ID</sub>	Differential input voltage range for specified performance (see Note 1)	SD16REFON=1	SD16GAINx = 1			±500		mV
			SD16GAINx = 2			±250		
			SD16GAINx = 4			±125		
			SD16GAINx = 8			±62		
			SD16GAINx = 16			±31		
			SD16GAINx = 32			±15		
Z <sub>I</sub>	Input impedance (one input pin to AV <sub>SS</sub> )	f <sub>SD16</sub> = 1MHz, SD16BUFx = 00	SD16GAINx = 1	3 V		200		kΩ
			SD16GAINx = 32	3 V		75		
		f <sub>SD16</sub> = 1MHz, SD16BUFx = 01	SD16GAINx = 1	3 V		>10		MΩ
Z <sub>ID</sub>	Differential Input impedance (IN+ to IN-)	f <sub>SD16</sub> = 1MHz, SD16BUFx = 00	SD16GAINx = 1	3 V	300	400		kΩ
			SD16GAINx = 32	3 V	100	150		
		f <sub>SD16</sub> = 1MHz, SD16BUFx > 00	SD16GAINx = 1	3 V		>10		MΩ
V <sub>I</sub>	Absolute input voltage range	SD16BUFx = 00			AV <sub>SS</sub> -0.1V		AV <sub>CC</sub>	V
		SD16BUFx > 00			AV <sub>SS</sub>		AV <sub>CC</sub> -1.2V	
V <sub>IC</sub>	Common-mode input voltage range	SD16BUFx = 00			AV <sub>SS</sub> -0.1V		AV <sub>CC</sub>	V
		SD16BUFx > 00			AV <sub>SS</sub>		AV <sub>CC</sub> -1.2V	

NOTES: 1. The analog input range depends on the reference voltage applied to V<sub>REF</sub>. If V<sub>REF</sub> is sourced externally, the full-scale range is defined by V<sub>FSR+</sub> = +(V<sub>REF</sub>/2)/GAIN and V<sub>FSR-</sub> = -(V<sub>REF</sub>/2)/GAIN. The analog input range should not exceed 80% of V<sub>FSR+</sub> or V<sub>FSR-</sub>.



**electrical characteristics over recommended operating free-air temperature (unless otherwise noted) (continued)**

**SD16\_A, performance ( $f_{SD16} = 30\text{kHz}$ ,  $SD16REFON = 1$ ,  $SD16BUFx = 01$ )**

PARAMETER		TEST CONDITIONS	V <sub>CC</sub>	MIN	TYP	MAX	UNIT
SINAD	Signal-to-noise + distortion ratio	SD16GAINx = 1, Signal Amplitude = 500mV SD16OSRx = 256	3 V		84		dB
		SD16GAINx = 1, Signal Amplitude = 500mV SD16OSRx = 512					
		SD16GAINx = 1, Signal Amplitude = 500mV SD16OSRx = 1024					
	Nominal gain	SD16GAINx = 1; SD16OSRx = 1024	3 V	0.97	1.00	1.02	
dG/dT	Gain temperature drift	SD16GAINx = 1; SD16OSRx = 1024 (see Note 1)	3 V		15		ppm/°C
dG/dV <sub>CC</sub>	Gain supply voltage drift	SD16GAINx = 1; SD16OSRx = 1024; V <sub>CC</sub> = 2.5V - 3.6V (see Note 2)			0.35		%/V

NOTES: 1. Calculated using the box method:  $(\text{MAX}(-40\dots85^\circ\text{C}) - \text{MIN}(-40\dots85^\circ\text{C})) / \text{MIN}(-40\dots85^\circ\text{C}) / (85^\circ\text{C} - (-40^\circ\text{C}))$   
 2. Calculated using the box method:  $(\text{MAX}(2.5\dots3.6\text{V}) - \text{MIN}(2.5\dots3.6\text{V})) / \text{MIN}(2.5\dots3.6\text{V}) / (3.6\text{V} - 2.5\text{V})$

**SD16\_A, performance ( $f_{SD16} = 1\text{MHz}$ ,  $SD16OSRx = 256$ ,  $SD16REFON = 1$ ,  $SD16BUFx = 00$ )**

PARAMETER		TEST CONDITIONS	V <sub>CC</sub>	MIN	TYP	MAX	UNIT
SINAD	Signal-to-noise + distortion ratio	SD16GAINx = 1, Signal Amplitude = 500mV	3 V		83.5	85	dB
		SD16GAINx = 2, Signal Amplitude = 250mV					
		SD16GAINx = 4, Signal Amplitude = 125mV					
		SD16GAINx = 8, Signal Amplitude = 62mV					
		SD16GAINx = 16, Signal Amplitude = 31mV					
		SD16GAINx = 32, Signal Amplitude = 15mV					
G	Nominal gain	SD16GAINx = 1	3 V	0.97	1.00	1.02	
		SD16GAINx = 2	3 V	1.90	1.96	2.02	
		SD16GAINx = 4	3 V	3.76	3.86	3.96	
		SD16GAINx = 8	3 V	7.36	7.62	7.84	
		SD16GAINx = 16	3 V	14.56	15.04	15.52	
		SD16GAINx = 32	3 V	27.20	28.35	29.76	
E <sub>OS</sub>	Offset error	SD16GAINx = 1	3 V			±0.2	%FSR
		SD16GAINx = 32	3 V			±1.5	
dE <sub>OS</sub> /dT	Offset error temperature coefficient	SD16GAINx = 1	3 V		±4	±20	ppm FSR/°C
		SD16GAINx = 32	3 V		±20	±100	
CMRR	Common-mode rejection ratio	SD16GAINx = 1, Common-mode input signal: V <sub>ID</sub> = 500 mV, f <sub>IN</sub> = 50 Hz, 100 Hz	3 V		>90		dB
		SD16GAINx = 32, Common-mode input signal: V <sub>ID</sub> = 16 mV, f <sub>IN</sub> = 50 Hz, 100 Hz	3 V		>75		
AC PSRR	AC power supply rejection ratio	SD16GAINx = 1, V <sub>CC</sub> = 3 V ± 100 mV, f <sub>VCC</sub> = 50 Hz	3 V		>80		dB

# MSP430F42x0 MIXED SIGNAL MICROCONTROLLER

SLAS455D – MARCH 2005 – REVISED APRIL 2007

## electrical characteristics over recommended operating free-air temperature (unless otherwise noted) (continued)

### SD16\_A, temperature sensor

PARAMETER		TEST CONDITIONS	V <sub>CC</sub>	MIN	TYP	MAX	UNIT
TC <sub>Sensor</sub>	Sensor temperature coefficient			1.18	1.32	1.46	mV/K
V <sub>Offset,sensor</sub>	Sensor offset voltage			-100		100	mV
V <sub>Sensor</sub>	Sensor output voltage (see Note 2)	Temperature sensor voltage at T <sub>A</sub> = 85°C	3 V	435	475	515	mV
		Temperature sensor voltage at T <sub>A</sub> = 25°C	3 V	355	395	435	
		Temperature sensor voltage at T <sub>A</sub> = 0°C	3 V	320	360	400	

NOTES: 1. The following formula can be used to calculate the temperature sensor output voltage:

$$V_{\text{Sensor,typ}} = TC_{\text{Sensor}} (273 + T [^{\circ}\text{C}]) + V_{\text{Offset,sensor}} [\text{mV}]$$

2. Results based on characterization and/or production test, not TC<sub>Sensor</sub> or V<sub>Offset,sensor</sub>.

### SD16\_A, built-in voltage reference

PARAMETER		TEST CONDITIONS	V <sub>CC</sub>	MIN	TYP	MAX	UNIT
V <sub>REF</sub>	Internal reference voltage	SD16REFON = 1, SD16VMIDON = 0	3 V	1.14	1.20	1.26	V
I <sub>REF</sub>	Reference supply current	SD16REFON = 1, SD16VMIDON = 0	3 V		175	260	μA
TC	Temperature coefficient	SD16REFON = 1, SD16VMIDON = 0	3 V		18	50	ppm/K
C <sub>REF</sub>	V <sub>REF</sub> load capacitance	SD16REFON = 1, SD16VMIDON = 0 (see Note 1)			100		nF
I <sub>LOAD</sub>	V <sub>REF(I)</sub> maximum load current	SD16REFON = 1, SD16VMIDON = 0	3 V			±200	nA
t <sub>ON</sub>	Turn on time	SD16REFON = 0→1, SD16VMIDON = 0, C <sub>REF</sub> = 100nF	3 V		5		ms
DC PSR	DC power supply rejection, ΔV <sub>REF</sub> /ΔV <sub>CC</sub>	SD16REFON = 1, SD16VMIDON = 0, V <sub>CC</sub> = 2.5 V to 3.6 V			100		μV/V

NOTES: 1. There is no capacitance required on V<sub>REF</sub>. However, a capacitance of at least 100nF is recommended to reduce any reference voltage noise.

### SD16\_A, reference output buffer

PARAMETER		TEST CONDITIONS	V <sub>CC</sub>	MIN	TYP	MAX	UNIT
V <sub>REF,BUF</sub>	Reference buffer output voltage	SD16REFON = 1, SD16VMIDON = 1	3 V		1.2		V
I <sub>REF,BUF</sub>	Reference Supply + Reference output buffer quiescent current	SD16REFON = 1, SD16VMIDON = 1	3 V		385	600	μA
C <sub>REF(O)</sub>	Required load capacitance on V <sub>REF</sub>	SD16REFON = 1, SD16VMIDON = 1		470			nF
I <sub>LOAD,Max</sub>	Maximum load current on V <sub>REF</sub>	SD16REFON = 1, SD16VMIDON = 1	3 V			±1	mA
	Maximum voltage variation vs. load current	I <sub>LOAD</sub>   = 0 to 1mA	3 V	-15		+15	mV
t <sub>ON</sub>	Turn on time	SD16REFON = 0→1; SD16VMIDON = 1; C <sub>REF</sub> = 470nF	3 V		100		μs



**SD16\_A, external reference input**

PARAMETER		TEST CONDITIONS	V <sub>CC</sub>	MIN	TYP	MAX	UNIT
V <sub>REF(I)</sub>	Input voltage range	SD16REFON = 0	3 V	1.0	1.25	1.5	V
I <sub>REF(I)</sub>	Input current	SD16REFON = 0	3 V			50	nA

# MSP430F42x0

## MIXED SIGNAL MICROCONTROLLER

SLAS455D – MARCH 2005 – REVISED APRIL 2007

electrical characteristics over recommended operating free-air temperature (unless otherwise noted) (continued)

### 12-bit DAC, supply specifications

PARAMETER		TEST CONDITIONS	V <sub>CC</sub>	MIN	TYP	MAX	UNIT
AV <sub>CC</sub>	Analog supply voltage	AV <sub>CC</sub> = DV <sub>CC</sub> , AV <sub>SS</sub> = DV <sub>SS</sub> = 0 V		2.20		3.60	V
I <sub>DD</sub>	Supply Current (see Notes 1 and 2)	DAC12AMPx=2, DAC12IR=0, DAC12_xDAT=0800h	2.2V/3V		50	110	μA
		DAC12AMPx=2, DAC12IR=1, DAC12_xDAT=0800h, V <sub>REF,DAC12</sub> = AV <sub>CC</sub>	2.2V/3V		50	110	
		DAC12AMPx=5, DAC12IR=1, DAC12_xDAT=0800h, V <sub>REF,DAC12</sub> = AV <sub>CC</sub>	2.2V/3V		200	440	
		DAC12AMPx=7, DAC12IR=1, DAC12_xDAT=0800h, V <sub>REF,DAC12</sub> = AV <sub>CC</sub>	2.2V/3V		700	1500	
PSRR	Power supply rejection ratio (see Notes 3 and 4)	DAC12_xDAT = 800h, V <sub>REF,DAC12</sub> = 1.2V ΔAV <sub>CC</sub> = 100mV	2.7V		70		dB

- NOTES:
1. No load at the output pin assuming that the control bits for the shared pins are set properly.
  2. Current into reference terminals not included. If DAC12IR = 1 current flows through the input divider; see Reference Input specifications.
  3. PSRR = 20\*log{ΔAV<sub>CC</sub>/ΔV<sub>DAC12\_xOUT</sub>}.
  4. V<sub>REF</sub> is applied externally. The internal reference is not used.





electrical characteristics over recommended operating free-air temperature (unless otherwise noted) (continued)

12-bit DAC, linearity specifications (see Figure 12)

PARAMETER		TEST CONDITIONS	V <sub>CC</sub>	MIN	TYP	MAX	UNIT
Resolution		(12-bit Monotonic)		12			bits
INL	Integral nonlinearity (see Note 1)	V <sub>REF,DAC12</sub> = 1.2V DAC12AMPx = 7, DAC12IR = 1	2.7V		±2.0	±8.0	LSB
DNL	Differential nonlinearity (see Note 1)	V <sub>REF,DAC12</sub> = 1.2V DAC12AMPx = 7, DAC12IR = 1	2.7V		±0.4	±1.0	LSB
E <sub>O</sub>	Offset voltage w/o calibration (see Notes 1, 2)	V <sub>REF,DAC12</sub> = 1.2V DAC12AMPx = 7, DAC12IR = 1	2.7V			±20	mV
	Offset voltage with calibration (see Notes 1, 2)	V <sub>REF,DAC12</sub> = 1.2V DAC12AMPx = 7, DAC12IR = 1	2.7V			±2.5	
d <sub>E(O)</sub> /dT	Offset error temperature coefficient (see Note 1)		2.7V		±30		µV/C
E <sub>G</sub>	Gain error (see Note 1)	V <sub>REF,DAC12</sub> = 1.2V	2.7V			±3.50	% FSR
d <sub>E(G)</sub> /dT	Gain temperature coefficient (see Note 1)		2.7V		10		ppm of FSR/°C
t <sub>Offset_Cal</sub>	Time for offset calibration (see Note 3)	DAC12AMPx=2	2.7V			100	ms
		DAC12AMPx=3,5	2.7V			32	
		DAC12AMPx=4,6,7	2.7V			6	

- NOTES: 1. Parameters calculated from the best-fit curve from 0x0A to 0xFFFF. The best-fit curve method is used to deliver coefficients “a” and “b” of the first order equation:  $y = a + b \cdot x$ .  $V_{DAC12\_xOUT} = E_O + (1 + E_G) \cdot (V_{REF,DAC12}/4095) \cdot DAC12\_xDAT$ , DAC12IR = 1.  
 2. The offset calibration works on the output operational amplifier. Offset Calibration is triggered setting bit DAC12CALON  
 3. The offset calibration can be done if DAC12AMPx = {2, 3, 4, 5, 6, 7}. The output operational amplifier is switched off with DAC12AMPx = {0, 1}. It is recommended that the DAC12 module be configured prior to initiating calibration. Port activity during calibration may effect accuracy and is not recommended.

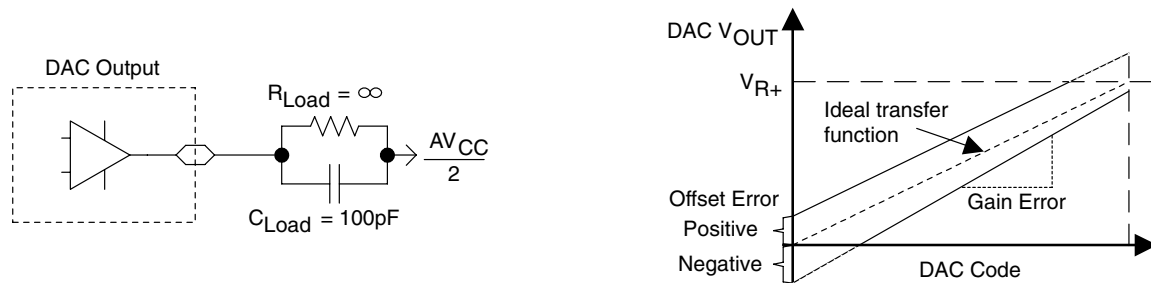


Figure 12. Linearity Test Load Conditions and Gain/Offset Definition

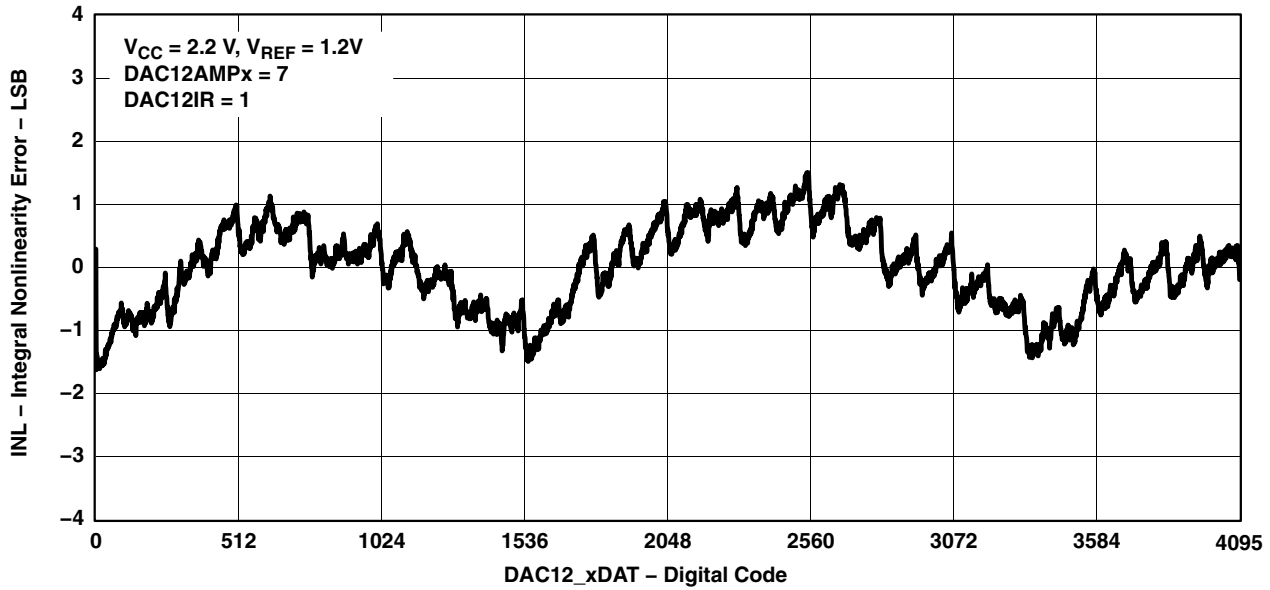
# MSP430F42x0 MIXED SIGNAL MICROCONTROLLER

SLAS455D – MARCH 2005 – REVISED APRIL 2007

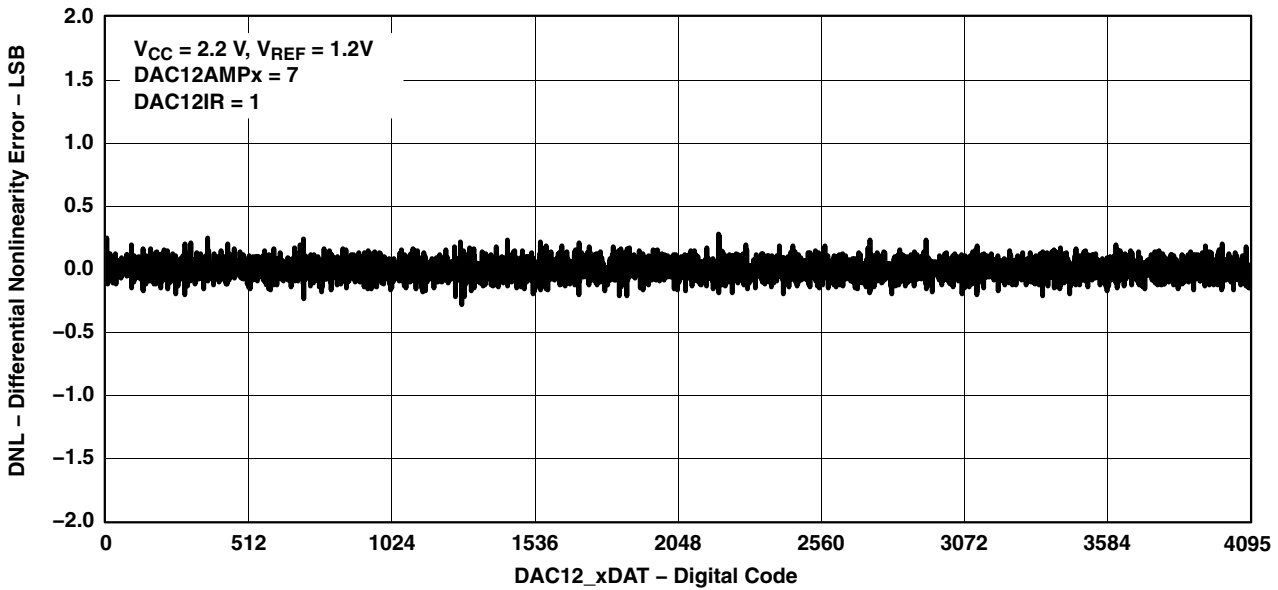
electrical characteristics over recommended operating free-air temperature (unless otherwise noted) (continued)

12-bit DAC, linearity specifications (continued)

TYPICAL INL ERROR  
vs  
DIGITAL INPUT DATA



TYPICAL DNL ERROR  
vs  
DIGITAL INPUT DATA



electrical characteristics over recommended operating free-air temperature (unless otherwise noted) (continued)

12-bit DAC, output specifications

PARAMETER	TEST CONDITIONS	V <sub>CC</sub>	MIN	TYP	MAX	UNIT	
V <sub>O</sub> Output voltage range (see Note 1, Figure 15)	No Load, V <sub>REF,DAC12</sub> = AV <sub>CC</sub> , DAC12_xDAT = 0h, DAC12IR = 1, DAC12AMPx = 7	2.2V/3V	0		0.005	V	
	No Load, V <sub>REF,DAC12</sub> = AV <sub>CC</sub> , DAC12_xDAT = 0FFFh, DAC12IR = 1, DAC12AMPx = 7	2.2V/3V	AV <sub>CC</sub> -0.05		AV <sub>CC</sub>		
	R <sub>Load</sub> = 3 kΩ, V <sub>REF,DAC12</sub> = AV <sub>CC</sub> , DAC12_xDAT = 0h, DAC12IR = 1, DAC12AMPx = 7	2.2V/3V	0		0.1		
	R <sub>Load</sub> = 3 kΩ, V <sub>REF,DAC12</sub> = AV <sub>CC</sub> , DAC12_xDAT = 0FFFh, DAC12IR = 1, DAC12AMPx = 7	2.2V/3V	AV <sub>CC</sub> -0.13		AV <sub>CC</sub>		
C <sub>L(DAC12)</sub>	Max DAC12 load capacitance	2.2V/3V			100	pF	
I <sub>L(DAC12)</sub>	Max DAC12 load current	2.2V	-0.5		+0.5	mA	
		3V	-1.0		+1.0		
R <sub>O/P(DAC12)</sub>	Output Resistance (see Figure 15)	R <sub>Load</sub> = 3 kΩ, V <sub>O/P(DAC12)</sub> < 0.3 V, DAC12AMPx = 2, DAC12_xDAT = 0h	2.2V/3V		150	250	Ω
		R <sub>Load</sub> = 3 kΩ, V <sub>O/P(DAC12)</sub> > AV <sub>CC</sub> -0.3 V DAC12_xDAT = 0FFFh	2.2V/3V		150	250	
		R <sub>Load</sub> = 3 kΩ, 0.3V ≤ V <sub>O/P(DAC12)</sub> ≤ AV <sub>CC</sub> - 0.3V	2.2V/3V		1	4	

NOTES: 1. Data is valid after the offset calibration of the output amplifier.

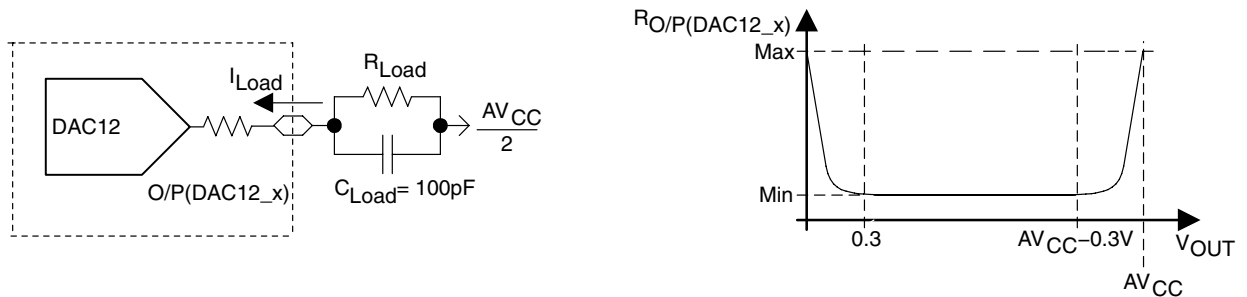


Figure 15. DAC12\_x Output Resistance Tests

# MSP430F42x0 MIXED SIGNAL MICROCONTROLLER

SLAS455D – MARCH 2005 – REVISED APRIL 2007

electrical characteristics over recommended operating free-air temperature (unless otherwise noted)

## 12-bit DAC, reference input specifications

PARAMETER	TEST CONDITIONS	V <sub>CC</sub>	MIN	TYP	MAX	UNIT
V <sub>REF</sub>	Reference input voltage range	DAC12IR=0, (see Notes 1 and 2)		AV <sub>CC</sub> /3	AV <sub>CC</sub> +0.2	V
		DAC12IR=1, (see Notes 3 and 4)	2.2V/3V	AV <sub>CC</sub>	AV <sub>CC</sub> +0.2	
R <sub>i(VREF)</sub>	Reference input resistance	DAC12IR=0	2.2V/3V	20		MΩ
		DAC12IR=1	2.2V/3V	40	48	56

- NOTES: 1. For a full-scale output, the reference input voltage can be as high as 1/3 of the maximum output voltage swing (AV<sub>CC</sub>).  
 2. The maximum voltage applied at reference input voltage terminal V<sub>REF</sub> = [AV<sub>CC</sub> - V<sub>E(O)</sub>] / [3\*(1 + E<sub>G</sub>)].  
 3. For a full-scale output, the reference input voltage can be as high as the maximum output voltage swing (AV<sub>CC</sub>).  
 4. The maximum voltage applied at reference input voltage terminal V<sub>REF</sub> = [AV<sub>CC</sub> - V<sub>E(O)</sub>] / (1 + E<sub>G</sub>).

## 12-bit DAC, dynamic specifications; V<sub>REF,DAC12</sub> = AV<sub>CC</sub>, DAC12IR = 1 (see Figure 16 and Figure 17)

PARAMETER	TEST CONDITIONS	V <sub>CC</sub>	MIN	TYP	MAX	UNIT
t <sub>ON</sub>	DAC12_xDAT = 800h, Error <sub>V(O)</sub> < ±0.5 LSB (see Note 1, Figure 16)	DAC12AMPx=0 → {2, 3, 4}	2.2V/3V	60	120	μs
		DAC12AMPx=0 → {5, 6}	2.2V/3V	15	30	
		DAC12AMPx=0 → 7	2.2V/3V	6	12	
t <sub>S(FS)</sub>	DAC12_xDAT = 80h → F7Fh → 80h	DAC12AMPx=2	2.2V/3V	100	200	μs
		DAC12AMPx=3,5	2.2V/3V	40	80	
		DAC12AMPx=4,6,7	2.2V/3V	15	30	
t <sub>S(C-C)</sub>	DAC12_xDAT = 3F8h → 408h → 3F8h BF8h → C08h → BF8h	DAC12AMPx=2	2.2V/3V	5		μs
		DAC12AMPx=3,5	2.2V/3V	2		
		DAC12AMPx=4,6,7	2.2V/3V	1		
SR	DAC12_xDAT = 80h → F7Fh → 80h	DAC12AMPx=2	2.2V/3V	0.05	0.12	V/μs
		DAC12AMPx=3,5	2.2V/3V	0.35	0.7	
		DAC12AMPx=4,6,7	2.2V/3V	1.5	2.7	
Glitch energy: full-scale	DAC12_xDAT = 80h → F7Fh → 80h	DAC12AMPx=2	2.2V/3V		10	nV-s
		DAC12AMPx=3,5	2.2V/3V		10	
		DAC12AMPx=4,6,7	2.2V/3V		15	

- NOTES: 1. R<sub>Load</sub> and C<sub>Load</sub> connected to AV<sub>SS</sub> (not AV<sub>CC</sub>/2) in Figure 16.  
 2. Slew rate applies to output voltage steps ≥ 200mV.

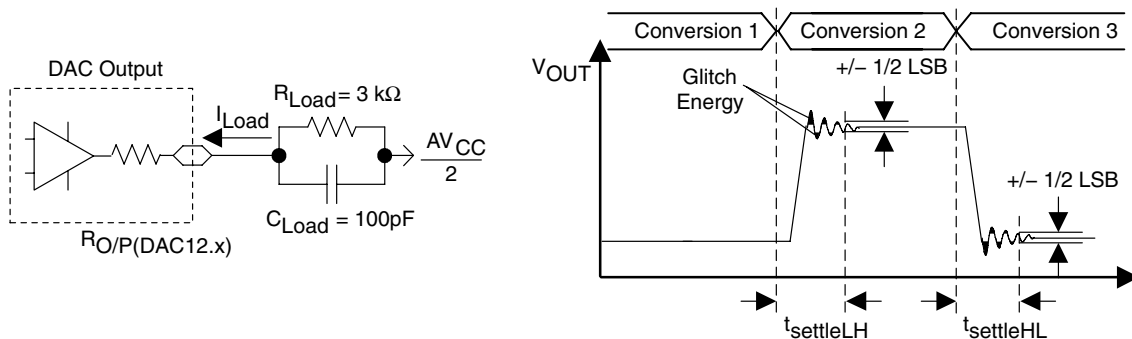


Figure 16. Settling Time and Glitch Energy Testing

electrical characteristics over recommended operating free-air temperature (unless otherwise noted)

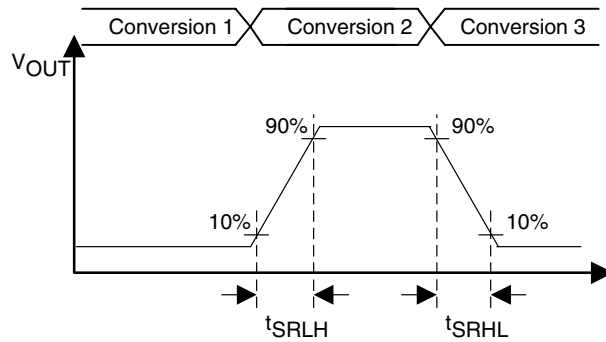


Figure 17. Slew Rate Testing

12-bit DAC, dynamic specifications continued ( $T_A = 25^\circ\text{C}$  unless otherwise noted)

PARAMETER	TEST CONDITIONS	V <sub>CC</sub>	MIN	TYP	MAX	UNIT
BW <sub>-3dB</sub> 3-dB bandwidth, V <sub>DC</sub> =1.5V, V <sub>AC</sub> =0.1V <sub>PP</sub> (see Figure 18)	DAC12AMPx = {2, 3, 4}, DAC12SREFx = 2, DAC12IR = 1, DAC12_xDAT = 800h	2.2V/3V	40			kHz
	DAC12AMPx = {5, 6}, DAC12SREFx = 2, DAC12IR = 1, DAC12_xDAT = 800h	2.2V/3V	180			
	DAC12AMPx = 7, DAC12SREFx = 2, DAC12IR = 1, DAC12_xDAT = 800h	2.2V/3V	550			

NOTES: 1. R<sub>LOAD</sub> = 3 kΩ, C<sub>LOAD</sub> = 100 pF

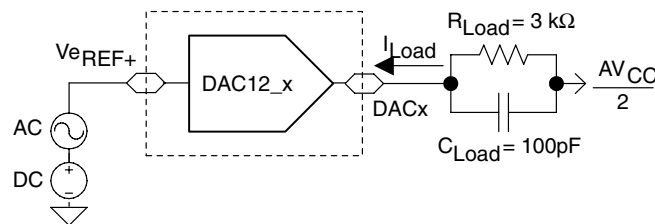


Figure 18. Test Conditions for 3-dB Bandwidth Specification

# MSP430F42x0 MIXED SIGNAL MICROCONTROLLER

SLAS455D – MARCH 2005 – REVISED APRIL 2007

## electrical characteristics over recommended operating free-air temperature (unless otherwise noted)

### Flash Memory

PARAMETER		TEST CONDITIONS	V <sub>CC</sub>	MIN	NOM	MAX	UNIT
V <sub>CC(PGM/ERASE)</sub>	Program and Erase supply voltage			2.5		3.6	V
f <sub>FTG</sub>	Flash Timing Generator frequency			257		476	kHz
I <sub>PGM</sub>	Supply current from DV <sub>CC</sub> during program		2.5V/3.6V		3	5	mA
I <sub>ERASE</sub>	Supply current from DV <sub>CC</sub> during erase		2.5V/3.6V		3	7	mA
t <sub>CPT</sub>	Cumulative program time	see Note 1	2.5V/3.6V			10	ms
t <sub>CMErase</sub>	Cumulative mass erase time	see Note 2	2.5V/3.6V	200			ms
	Program/Erase endurance			10 <sup>4</sup>	10 <sup>5</sup>		cycles
t <sub>Retention</sub>	Data retention duration	T <sub>J</sub> = 25°C		100			years
t <sub>Word</sub>	Word or byte program time	see Note 3			35		t <sub>FTG</sub>
t <sub>Block, 0</sub>	Block program time for 1 <sup>st</sup> byte or word				30		
t <sub>Block, 1-63</sub>	Block program time for each additional byte or word				21		
t <sub>Block, End</sub>	Block program end-sequence wait time				6		
t <sub>Mass Erase</sub>	Mass erase time				5297		
t <sub>Seg Erase</sub>	Segment erase time				4819		

- NOTES: 1. The cumulative program time must not be exceeded when writing to a 64-byte flash block. This parameter applies to all programming methods: individual word/byte write and block write modes.
2. The mass erase duration generated by the flash timing generator is at least 11.1ms ( = 5297x1/f<sub>FTG,max</sub> = 5297x1/476kHz). To achieve the required cumulative mass erase time the Flash Controller's mass erase operation can be repeated until this time is met. (A worst case minimum of 19 cycles are required).
3. These values are hardwired into the Flash Controller's state machine (t<sub>FTG</sub> = 1/f<sub>FTG</sub>).

### JTAG Interface

PARAMETER		TEST CONDITIONS	V <sub>CC</sub>	MIN	NOM	MAX	UNIT
f <sub>TCK</sub>	TCK input frequency	see Note 1	2.2 V	0		5	MHz
			3 V	0		10	MHz
R <sub>Internal</sub>	Internal pull-up resistance on TMS, TCK, TDI/TCLK	see Note 2	2.2 V/ 3 V	25	60	90	kΩ

- NOTES: 1. f<sub>TCK</sub> may be restricted to meet the timing requirements of the module selected.
2. TMS, TDI/TCLK, and TCK pull-up resistors are implemented in all versions.

### JTAG Fuse (see Note 1)

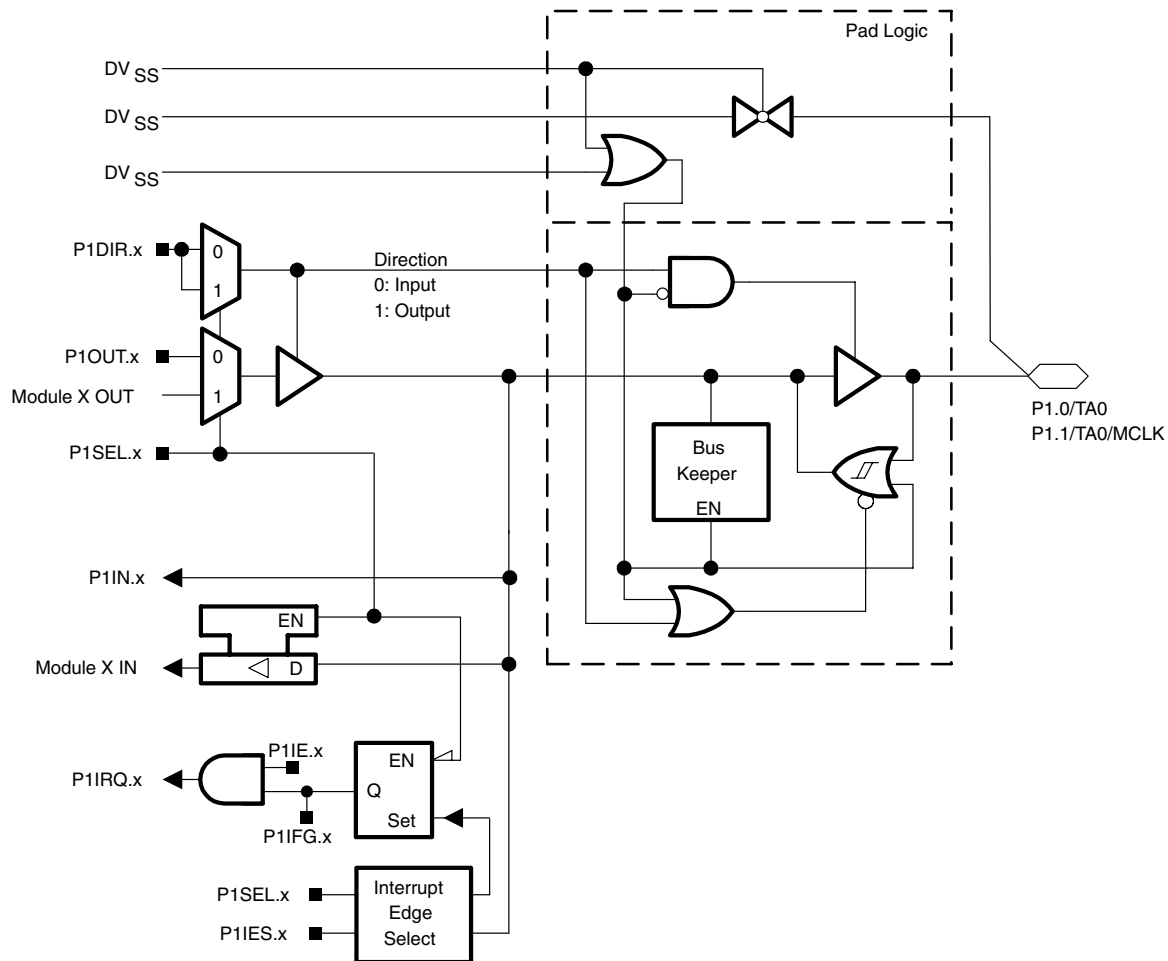
PARAMETER		TEST CONDITIONS	V <sub>CC</sub>	MIN	NOM	MAX	UNIT
V <sub>CC(FB)</sub>	Supply voltage during fuse-blow condition	T <sub>A</sub> = 25°C		2.5			V
V <sub>FB</sub>	Voltage level on TDI/TCLK for fuse-blow: F versions			6		7	V
I <sub>FB</sub>	Supply current into TDI/TCLK during fuse blow					100	mA
t <sub>FB</sub>	Time to blow fuse					1	ms

- NOTES: 1. Once the fuse is blown, no further access to the MSP430 JTAG/Test and emulation features is possible. The JTAG block is switched to bypass mode.



input/output schematics

Port P1 pin schematic: P1.0, P1.1, input/output with Schmitt-trigger



Note: x = 0,1

Port P1 (P1.0, P1.1) pin functions

PIN NAME (P1.X)	X	FUNCTION	CONTROL BITS / SIGNALS	
			P1DIR.x	P1SEL.x
P1.0/TA0	0	P1.0† Input/Output	0/1	0
		Timer_A3.CCI0A	0	1
		Timer_A3.TA0	1	1
P1.1/TA0/MCLK	1	P1.1† Input/Output	0/1	0
		Timer_A3.CCI0B	0	1
		MCLK	1	1

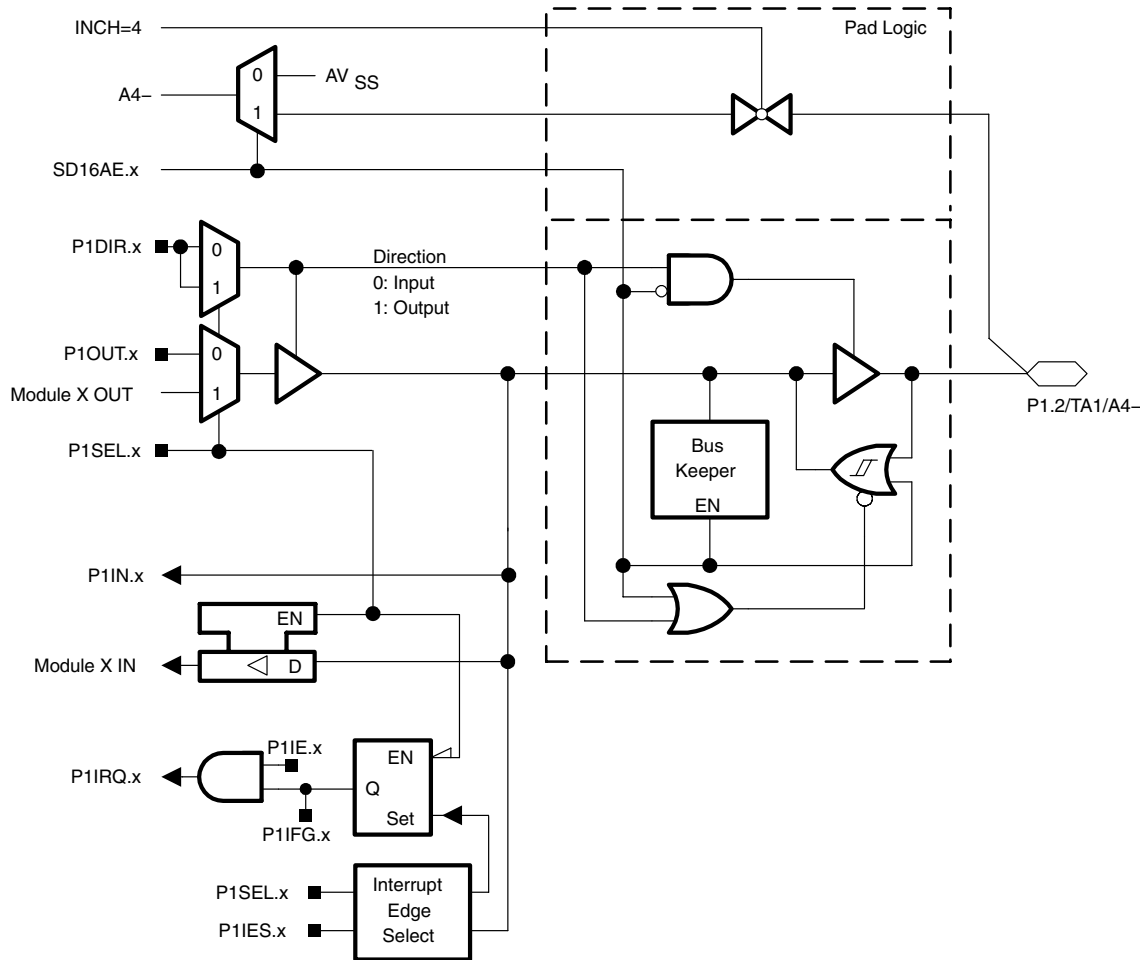
† Default after reset (PUC/POR)

NOTES: 1. N/A: Not available or not applicable.  
2. X: Don't care.

# MSP430F42x0 MIXED SIGNAL MICROCONTROLLER

SLAS455D – MARCH 2005 – REVISED APRIL 2007

## Port P1 pin schematic: P1.2, input/output with Schmitt-trigger and analog functions



Note: x = 2

### Port P1 (P1.2) pin functions

PIN NAME (P1.X)	X	FUNCTION	CONTROL BITS / SIGNALS		
			P1DIR.x	P1SEL.x	SD16AE.x
P1.2/TA1/A4-	2	P1.2† Input/Output	0/1	0	0
		Timer_A3.CCI1A	0	1	0
		Timer_A3.TA1	1	1	0
		A4- (see Notes 3, 4)	X	X	1

† Default after reset (PUC/POR)

NOTES: 1. N/A: Not available or not applicable.

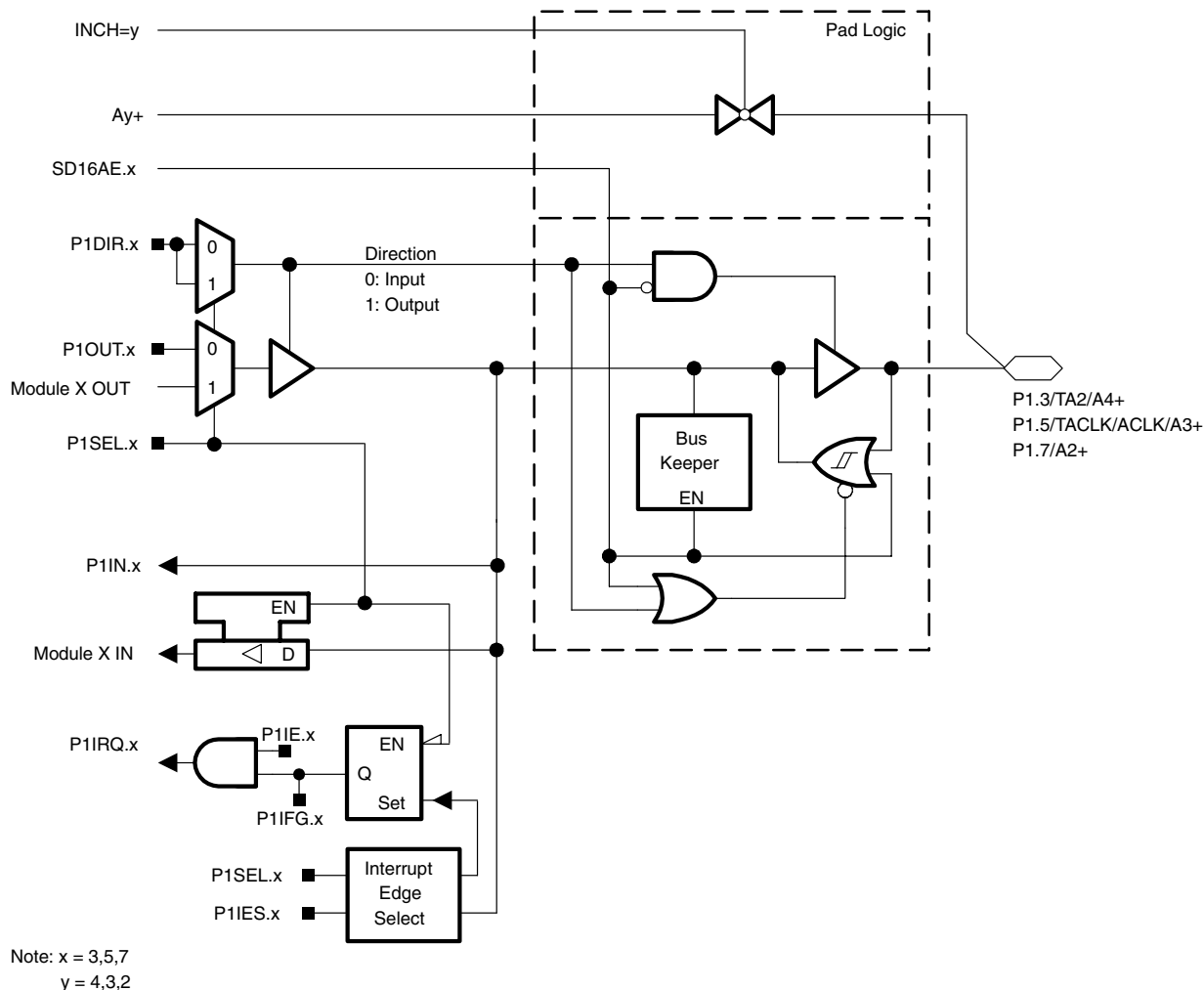
2. X: Don't care.

3. Setting the SD16AE.x bit disables the output driver as well as the input Schmitt trigger to prevent parasitic cross currents when applying analog signals.

4. Negative input to SD16\_A (A4-) connected to V<sub>SS</sub> if corresponding SD16AE.x bit is cleared.



Port P1 pin schematic: P1.3, P1.5, P1.7, input/output with Schmitt-trigger and analog functions



# MSP430F42x0 MIXED SIGNAL MICROCONTROLLER

SLAS455D – MARCH 2005 – REVISED APRIL 2007

## Port P1 (P1.3, P1.5, P1.7) pin functions

PIN NAME (P1.X)	X	FUNCTION	CONTROL BITS / SIGNALS		
			P1DIR.x	P1SEL.x	SD16AE.x
P1.3/TA2/A4+	3	P1.3† Input/Output	0/1	0	0
		Timer_A3.CCI2A	0	1	0
		Timer_A3.TA2	1	1	0
		A4+ (see Note 3)	X	X	1
P1.5/TACLK/ACLK/A3+	5	P1.5† Input/Output	0/1	0	0
		Timer_A3.TACLK/INCLK	0	1	0
		ACLK	1	1	0
		A3+ (see Note 3)	X	X	1
P1.7/A2+	7	P1.5† Input/Output	0/1	0	0
		N/A	0	1	0
		DVSS	1	1	0
		A2+ (see Note 3)	X	X	1

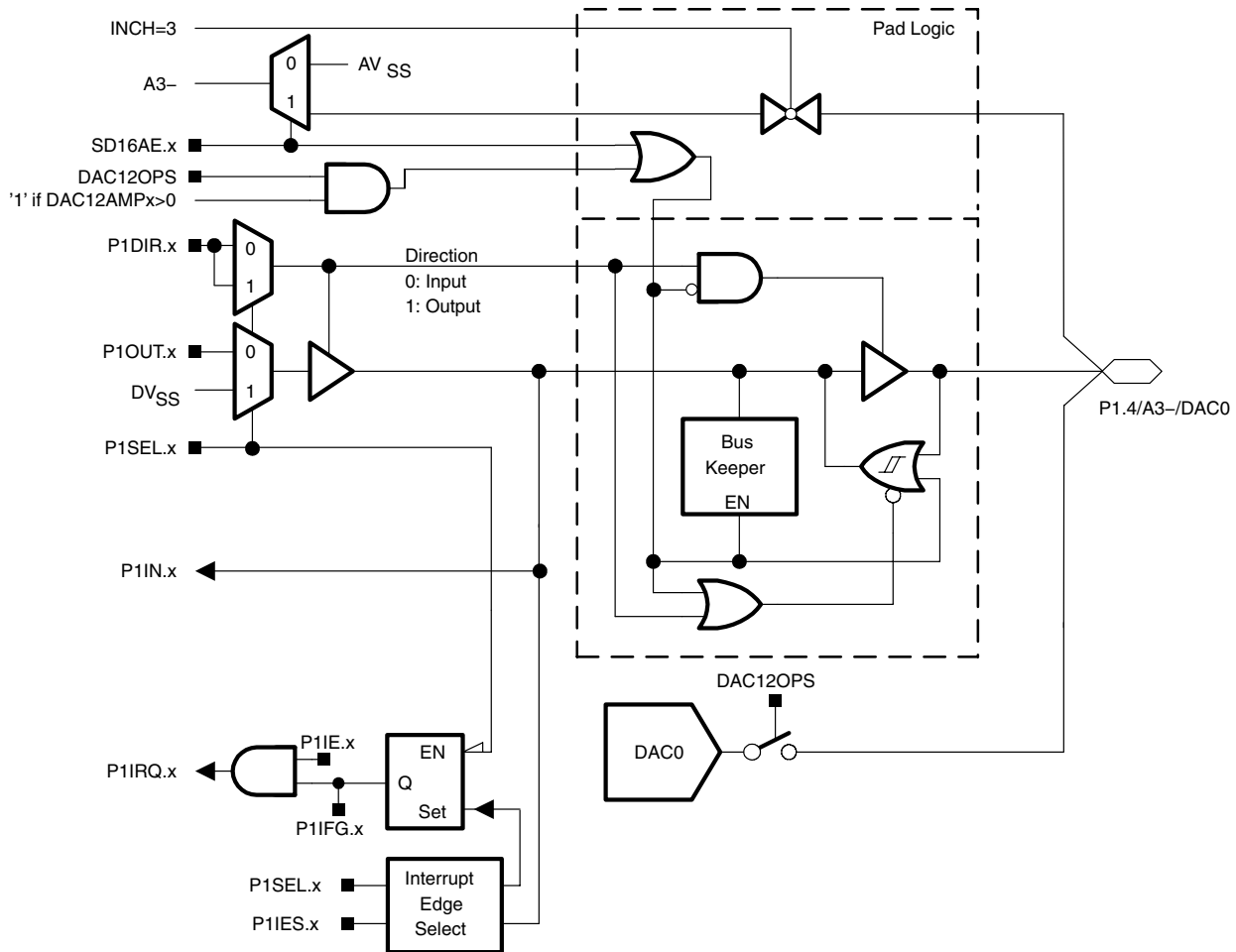
† Default after reset (PUC/POR)

NOTES: 1. N/A: Not available or not applicable.

2. X: Don't care.

3. Setting the SD16AE.x bit disables the output driver as well as the input Schmitt trigger to prevent parasitic cross currents when applying analog signals.

Port P1 pin schematic: P1.4, input/output with Schmitt-trigger and analog functions



Note: x = 4

Port P1 (P1.4) pin functions

PIN NAME (P1.X)	X	FUNCTION	CONTROL BITS / SIGNALS			
			P1DIR.x	P1SEL.x	SD16AE.x	DAC12OPS
P1.4/A3-/DAC0	4	P1.4† Input/Output	0/1	0	0	0
		N/A	0	1	0	0
		DVSS	1	1	0	0
		A3- (see Notes 3, 4)	X	X	1	0
		DAC0 (see Note 5)	X	X	X	1

† Default after reset (PUC/POR)

NOTES: 1. N/A: Not available or not applicable.

2. X: Don't care.

3. Setting the SD16AE.x bit disables the output driver as well as the input Schmitt trigger to prevent parasitic cross currents when applying analog signals.

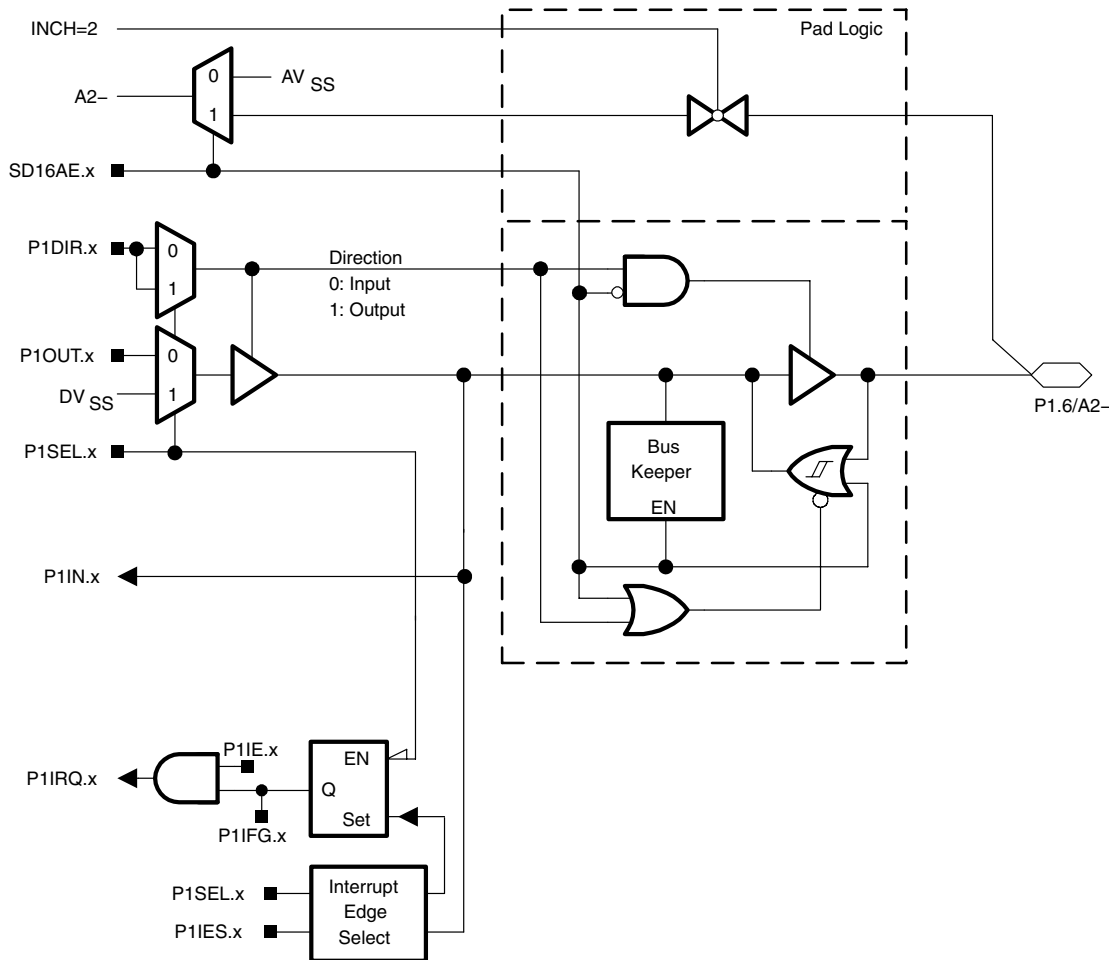
4. Negative input to SD16\_A (A3-) connected to AVSS if corresponding SD16AE.x bit is cleared.

5. Setting the DAC12OPS bit also disables the output driver as well as the input Schmitt trigger to prevent parasitic cross currents when applying analog signals.

# MSP430F42x0 MIXED SIGNAL MICROCONTROLLER

SLAS455D – MARCH 2005 – REVISED APRIL 2007

## Port P1 pin schematic: P1.6, input/output with Schmitt-trigger and analog functions



Note: x = 6

### Port P1 (P1.6) pin functions

PIN NAME (P1.X)	X	FUNCTION	CONTROL BITS / SIGNALS		
			P1DIR.x	P1SEL.x	SD16AE.x
P1.6/A2-	6	P1.6† Input/Output	0/1	0	0
		N/A	0	1	0
		DVSS	1	1	0
		A2- (see Notes 3, 4)	X	X	1

† Default after reset (PUC/POR)

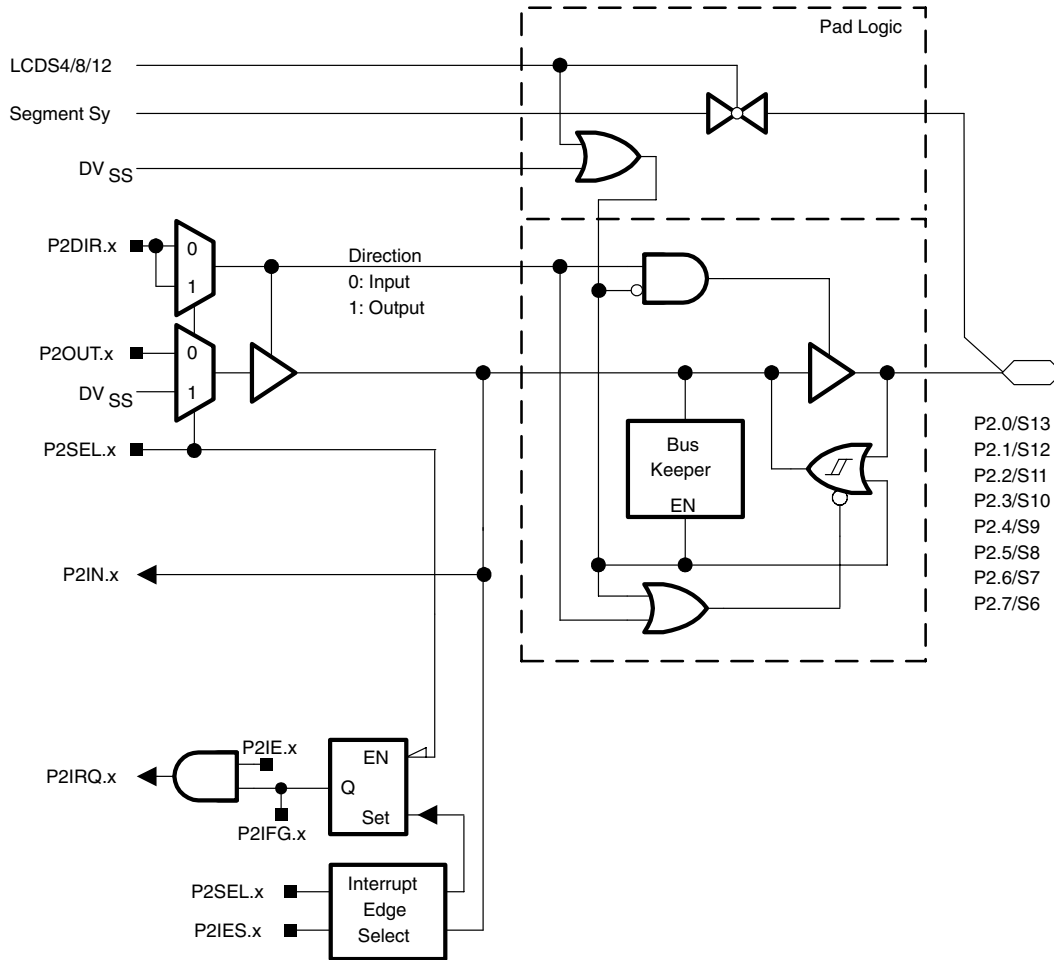
NOTES: 1. N/A: Not available or not applicable.

2. X: Don't care.

3. Setting the SD16AE.x bit disables the output driver as well as the input Schmitt trigger to prevent parasitic cross currents when applying analog signals.

4. Negative input to SD16\_A (A2-) connected to AV<sub>SS</sub> if corresponding SD16AE.x bit is cleared.

Port P2 pin schematic: P2.0 to P2.7, input/output with Schmitt-trigger, LCD and analog functions



Note: x = 0 to 7  
y = 13 to 6

# MSP430F42x0 MIXED SIGNAL MICROCONTROLLER

SLAS455D – MARCH 2005 – REVISED APRIL 2007

## Port P2 (P2.0 to P2.7) pin functions

PIN NAME (P2.X)	X	FUNCTION	CONTROL BITS / SIGNALS		
			P2DIR.x	P2SEL.x	LCDS12
P2.0/S13	0	P2.0† Input/Output	0/1	0	0
		N/A	0	1	0
		DVSS	1	1	0
		S13	X	X	1
P2.1/S12	1	P2.1† Input/Output	0/1	0	0
		N/A	0	1	0
		DVSS	1	1	0
		S12	X	X	1
P2.2/S11	2	P2.2† Input/Output	0/1	0	0
		N/A	0	1	0
		DVSS	1	1	0
		S11	X	X	1
P2.3/S10	3	P2.3† Input/Output	0/1	0	0
		N/A	0	1	0
		DVSS	1	1	0
		S10	X	X	1
P2.4/S9	4	P2.4† Input/Output	0/1	0	0
		N/A	0	1	0
		DVSS	1	1	0
		S9	X	X	1
P2.5/S8	5	P2.5† Input/Output	0/1	0	0
		N/A	0	1	0
		DVSS	1	1	0
		S8	X	X	1
P2.6/S7	6	P2.6† Input/Output	0/1	0	0
		N/A	0	1	0
		DVSS	1	1	0
		S7	X	X	1
P2.7/S6	7	P2.7† Input/Output	0/1	0	0
		N/A	0	1	0
		DVSS	1	1	0
		S6	X	X	1

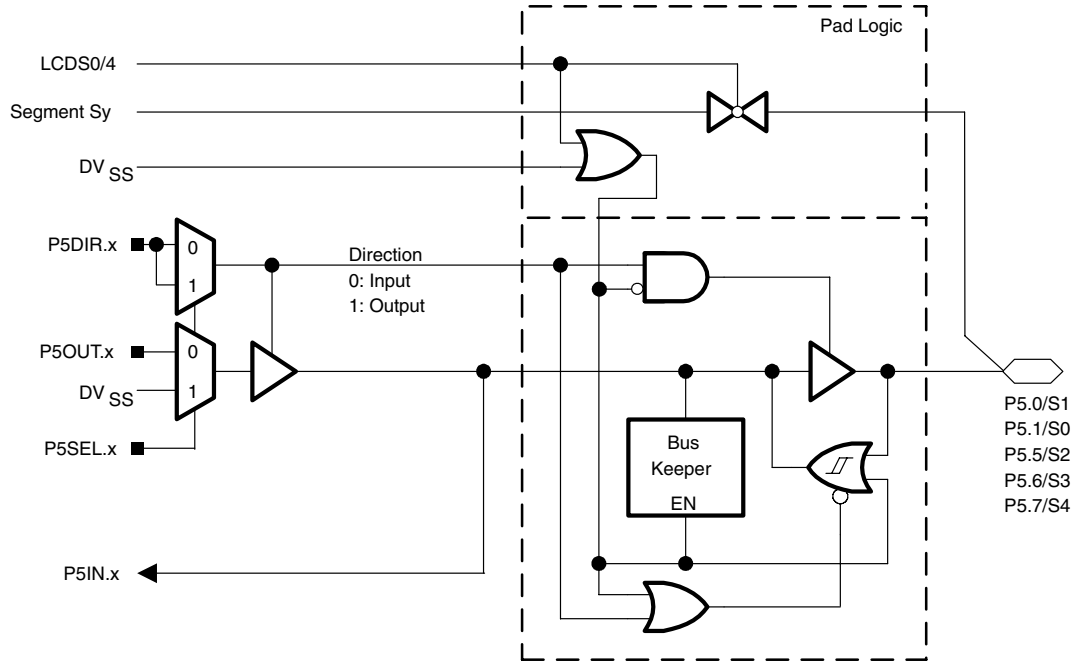
† Default after reset (PUC/POR)

NOTES: 1. N/A: Not available or not applicable.

2. X: Don't care.



**Port P5 pin schematic: P5.0, P5.1, P5.5 to P5.7, input/output with Schmitt-trigger and LCD functions**



Note: x = 0,1,5,6,7  
y = 1,0,2,3,4

# MSP430F42x0 MIXED SIGNAL MICROCONTROLLER

SLAS455D – MARCH 2005 – REVISED APRIL 2007

## Port P5 (P5.0, P5.1, P5.5, P5.6) pin functions

PIN NAME (P5.X)	X	FUNCTION	CONTROL BITS / SIGNALS		
			P5DIR.x	P5SEL.x	LCDS0
P5.0/S1	0	P5.0† Input/Output	0/1	0	0
		N/A	0	1	0
		DVSS	1	1	0
		S1	X	X	1
P5.1/S0	1	P5.1† Input/Output	0/1	0	0
		N/A	0	1	0
		DVSS	1	1	0
		S0	X	X	1
P5.5/S2	5	P5.5† Input/Output	0/1	0	0
		N/A	0	1	0
		DVSS	1	1	0
		S2	X	X	1
P5.6/S3	6	P5.6† Input/Output	0/1	0	0
		N/A	0	1	0
		DVSS	1	1	0
		S3	X	X	1

† Default after reset (PUC/POR)

NOTES: 1. N/A: Not available or not applicable.  
2. X: Don't care.

## Port P5 (P5.7) pin functions

PIN NAME (P5.X)	X	FUNCTION	CONTROL BITS / SIGNALS		
			P5DIR.x	P5SEL.x	LCDS4
P5.7/S4	7	P5.7† Input/Output	0/1	0	0
		N/A	0	1	0
		DVSS	1	1	0
		S4	X	X	1

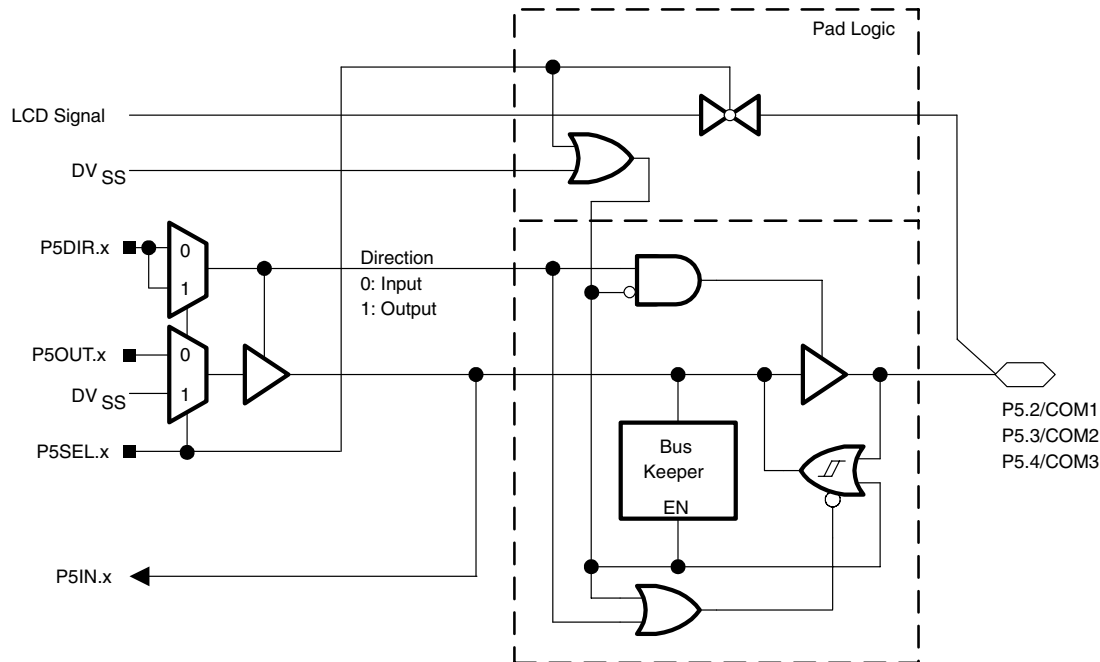
† Default after reset (PUC/POR)

NOTES: 1. N/A: Not available or not applicable.  
2. X: Don't care.





Port P5 pin schematic: P5.2 to P5.4, input/output with Schmitt-trigger and LCD functions



Note: x = 2 to 4

Port P5 (P5.2 to P5.4) pin functions

PIN NAME (P5.X)	X	FUNCTION	CONTROL BITS / SIGNALS	
			P5DIR.x	P5SEL.x
P5.2/COM1	2	P5.2† Input/Output	0/1	0
		COM1	X	1
P5.3/COM2	3	P5.3† Input/Output	0/1	0
		COM2	X	1
P5.4/COM3	4	P5.4† Input/Output	0/1	0
		COM3	X	1

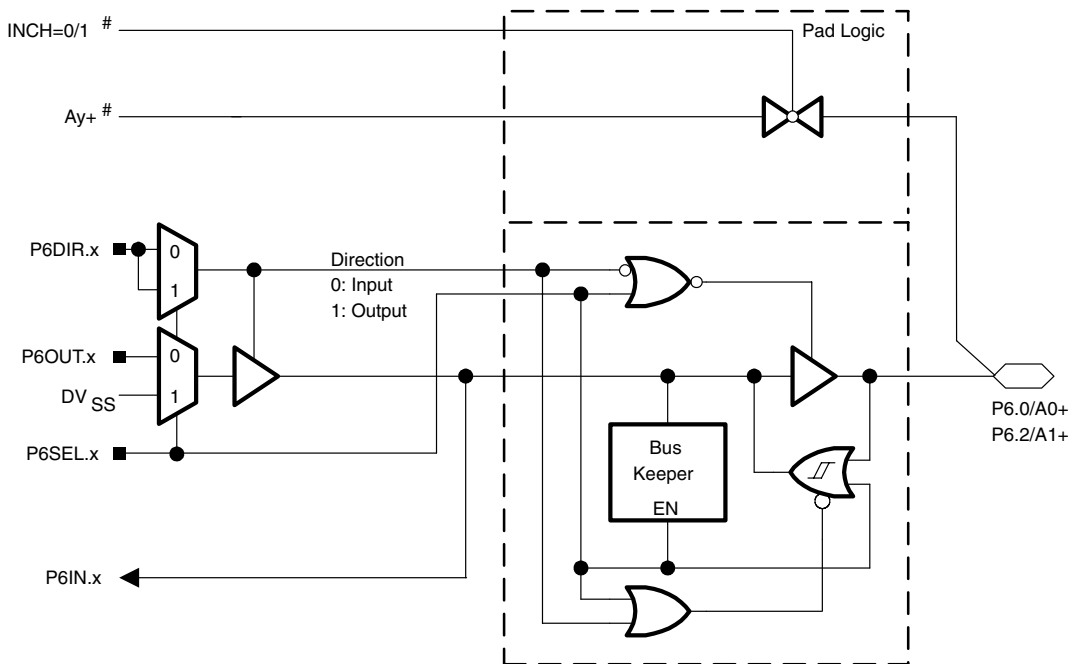
† Default after reset (PUC/POR)

NOTES: 1. N/A: Not available or not applicable.  
2. X: Don't care.

# MSP430F42x0 MIXED SIGNAL MICROCONTROLLER

SLAS455D – MARCH 2005 – REVISED APRIL 2007

## Port P6 pin schematic: P6.0, P6.2, input/output with Schmitt-trigger and analog functions



Note: x = 0,2  
y = 0,1

#Signal from or to SD16

### Port P6 (P6.0, P6.2) pin functions

PIN NAME (P6.X)	X	FUNCTION	CONTROL BITS / SIGNALS	
			P6DIR.x	P6SEL.x
P6.0/A0+	0	P6.0† Input/Output	0/1	0
		A0+ (see Note 3)	X	1
P6.2/A1+	2	P6.2† Input/Output	0/1	0
		A1+ (see Note 3)	X	1

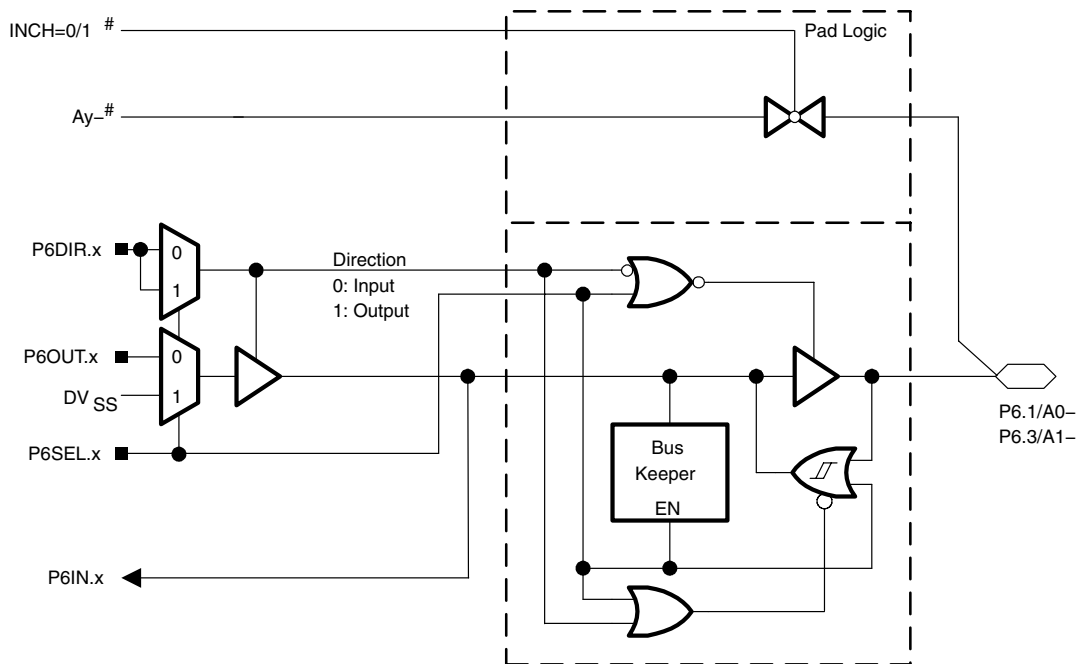
† Default after reset (PUC/POR)

NOTES: 1. N/A: Not available or not applicable.

2. X: Don't care.

3. Setting the P6SEL.x bit disables the output driver as well as the input Schmitt trigger to prevent parasitic cross currents when applying analog signals.

Port P6 pin schematic: P6.1, P6.3, input/output with Schmitt-trigger and analog functions



Note: x = 1,3  
y = 0,1  
#Signal from or to SD16

Port P6 (P6.1, P6.3) pin functions

PIN NAME (P6.X)	X	FUNCTION	CONTROL BITS / SIGNALS	
			P6DIR.x	P6SEL.x
P6.1/A0-	1	P6.1† Input/Output	0/1	0
		A0- (see Note 3)	X	1
P6.3/A1-	3	P6.3† Input/Output	0/1	0
		A1- (see Note 3)	X	1

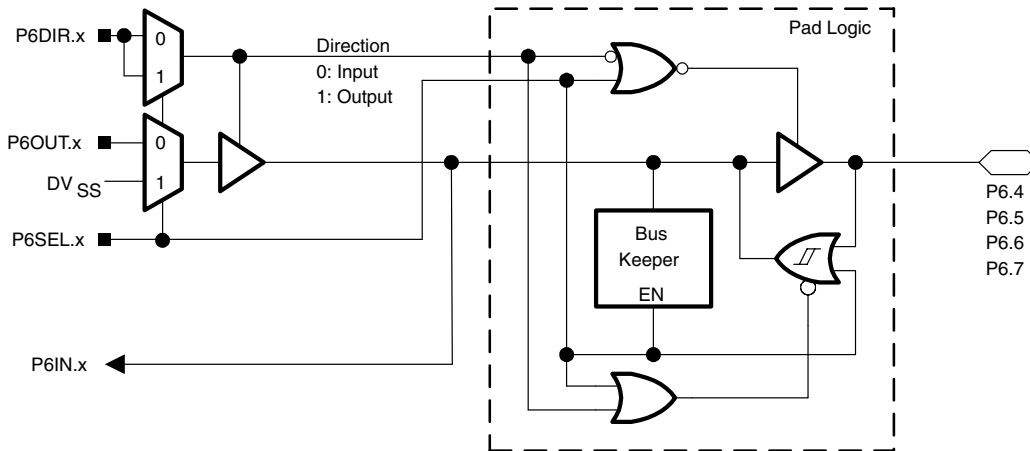
† Default after reset (PUC/POR)

- NOTES:
1. N/A: Not available or not applicable.
  2. X: Don't care.
  3. Setting the P6SEL.x bit disables the output driver as well as the input Schmitt trigger to prevent parasitic cross currents when applying analog signals.

# MSP430F42x0 MIXED SIGNAL MICROCONTROLLER

SLAS455D – MARCH 2005 – REVISED APRIL 2007

## Port P6 pin schematic: P6.4 to P6.7, input/output with Schmitt-trigger and analog functions



Note: x = 4 to 7

### Port P6 (P6.4 to P6.7) pin functions

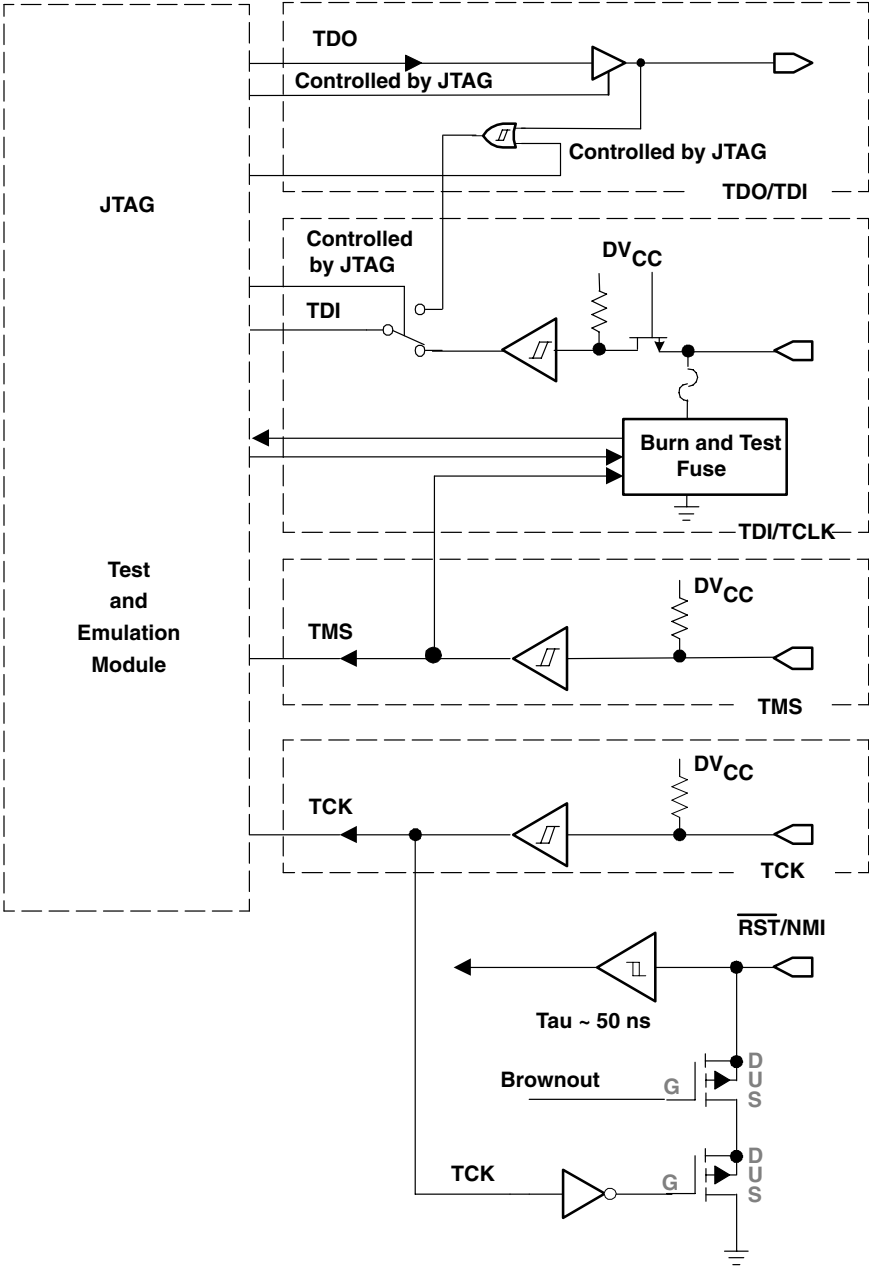
PIN NAME (P6.X)	X	FUNCTION	CONTROL BITS / SIGNALS	
			P6DIR.x	P6SEL.x
P6.4	4	P6.4† Input/Output	0/1	0
		N/A	0	1
		DVSS	1	1
P6.5	5	P6.5† Input/Output	0/1	0
		N/A	0	1
		DVSS	1	1
P6.6	6	P6.6† Input/Output	0/1	0
		N/A	0	1
		DVSS	1	1
P6.7	7	P6.7† Input/Output	0/1	0
		N/A	0	1
		DVSS	1	1

† Default after reset (PUC/POR)

NOTES: 1. N/A: Not available or not applicable.

2. X: Don't care.

JTAG pins TMS, TCK, TDI/TCLK, TDO/TDI, input/output with Schmitt-trigger or output



# MSP430F42x0 MIXED SIGNAL MICROCONTROLLER

SLAS455D – MARCH 2005 – REVISED APRIL 2007

## JTAG fuse check mode

MSP430 devices that have the fuse on the TDI/TCLK terminal have a fuse check mode that tests the continuity of the fuse the first time the JTAG port is accessed after a power-on reset (POR). When activated, a fuse check current ( $I_{(TF)}$ ) of 1 mA at 3 V can flow from the TDI/TCLK pin to ground if the fuse is not burned. Care must be taken to avoid accidentally activating the fuse check mode and increasing overall system power consumption.

Activation of the fuse check mode occurs with the first negative edge on the TMS pin after power up or if the TMS is being held low during power up. The second positive edge on the TMS pin deactivates the fuse check mode. After deactivation, the fuse check mode remains inactive until another POR occurs. After each POR the fuse check mode has the potential to be activated.

The fuse check current only flows when the fuse check mode is active and the TMS pin is in a low state (see Figure 19). Therefore, the additional current flow can be prevented by holding the TMS pin high (default condition). The JTAG pins are terminated internally and therefore do not require external termination.

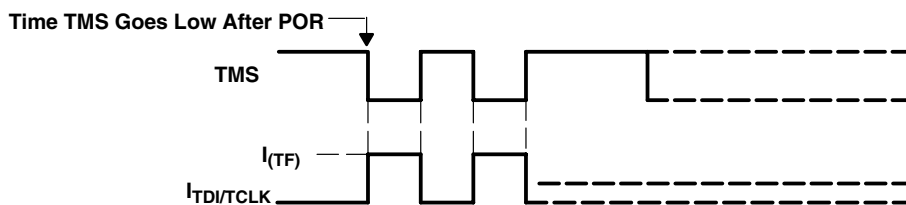


Figure 19. Fuse Check Mode Current

---

**Data Sheet Revision History**

<b>Literature Number</b>	<b>Summary</b>
SLAS455D	Updated functional block diagram (page 4) Clarified test conditions in recommended operating conditions table (page 17) Clarified test conditions in electrical characteristics table (page 18) Clarified test conditions in DCO table (page 25) Changed PSRR to AC PSRR in SD16_A, performance table (page 29) Changed PSRR to DC PSR in SD16_A, built-in voltage reference table; corrected typical value from 10 to 100 $\mu\text{V/V}$ (page 30)

NOTE: Page and figure numbers refer to the respective document revision.

## **Corrections to MSP430F42x0 Data Sheet (SLAS455D)**

---

---

---

Document Being Updated: *MSP430F42x0 Mixed Signal Microcontroller*

Literature Number Being Updated: SLAS455D

**Page Change or Add**

- 46 The table includes *LCDS12* in the "CONTROL BITS / SIGNALS" column. This is correct for P2.0/S13 and P2.1/S12.  
For P2.2/S11, P2.3/S10, P2.4/S9, and P2.5/S8, the correct control bit is **LCDS8**.  
For P2.6/S7 and P2.7/S6, the correct control bit is **LCDS4**.



**PACKAGING INFORMATION**

Orderable Device	Status (1)	Package Type	Package Drawing	Pins	Package Qty	Eco Plan (2)	Lead/Ball Finish	MSL Peak Temp (3)	Op Temp (°C)	Top-Side Markings (4)	Samples
MSP430F4250IDL	ACTIVE	SSOP	DL	48	25	Green (RoHS & no Sb/Br)	CU NIPDAU	Level-2-260C-1 YEAR	-40 to 85	M430F4250	<a href="#">Samples</a>
MSP430F4250IDLR	ACTIVE	SSOP	DL	48	1000	Green (RoHS & no Sb/Br)	CU NIPDAU	Level-2-260C-1 YEAR	-40 to 85	M430F4250	<a href="#">Samples</a>
MSP430F4250IRGZR	ACTIVE	VQFN	RGZ	48	2500	Green (RoHS & no Sb/Br)	CU NIPDAU	Level-3-260C-168 HR	-40 to 85	MSP430 F4250	<a href="#">Samples</a>
MSP430F4250IRGZT	ACTIVE	VQFN	RGZ	48	250	Green (RoHS & no Sb/Br)	CU NIPDAU	Level-3-260C-168 HR	-40 to 85	MSP430 F4250	<a href="#">Samples</a>
MSP430F4260IDL	ACTIVE	SSOP	DL	48	25	Green (RoHS & no Sb/Br)	CU NIPDAU	Level-2-260C-1 YEAR	-40 to 85	M430F4260	<a href="#">Samples</a>
MSP430F4260IDLR	ACTIVE	SSOP	DL	48	1000	Green (RoHS & no Sb/Br)	CU NIPDAU	Level-2-260C-1 YEAR	-40 to 85	M430F4260	<a href="#">Samples</a>
MSP430F4260IRGZR	ACTIVE	VQFN	RGZ	48	2500	Green (RoHS & no Sb/Br)	CU NIPDAU	Level-3-260C-168 HR	-40 to 85	MSP430 F4260	<a href="#">Samples</a>
MSP430F4260IRGZT	ACTIVE	VQFN	RGZ	48	250	Green (RoHS & no Sb/Br)	CU NIPDAU	Level-3-260C-168 HR	-40 to 85	MSP430 F4260	<a href="#">Samples</a>
MSP430F4270IDL	ACTIVE	SSOP	DL	48	25	Green (RoHS & no Sb/Br)	CU NIPDAU	Level-2-260C-1 YEAR	-40 to 85	M430F4270	<a href="#">Samples</a>
MSP430F4270IDLR	ACTIVE	SSOP	DL	48	1000	Green (RoHS & no Sb/Br)	CU NIPDAU	Level-2-260C-1 YEAR	-40 to 85	M430F4270	<a href="#">Samples</a>
MSP430F4270IRGZR	ACTIVE	VQFN	RGZ	48	2500	Green (RoHS & no Sb/Br)	CU NIPDAU	Level-3-260C-168 HR	-40 to 85	MSP430 F4270	<a href="#">Samples</a>
MSP430F4270IRGZT	ACTIVE	VQFN	RGZ	48	250	Green (RoHS & no Sb/Br)	CU NIPDAU	Level-3-260C-168 HR	-40 to 85	MSP430 F4270	<a href="#">Samples</a>

(1) The marketing status values are defined as follows:

**ACTIVE:** Product device recommended for new designs.

**LIFEBUY:** TI has announced that the device will be discontinued, and a lifetime-buy period is in effect.

**NRND:** Not recommended for new designs. Device is in production to support existing customers, but TI does not recommend using this part in a new design.

**PREVIEW:** Device has been announced but is not in production. Samples may or may not be available.

**OBSELETE:** TI has discontinued the production of the device.

(2) Eco Plan - The planned eco-friendly classification: Pb-Free (RoHS), Pb-Free (RoHS Exempt), or Green (RoHS & no Sb/Br) - please check <http://www.ti.com/productcontent> for the latest availability information and additional product content details.

**TBD:** The Pb-Free/Green conversion plan has not been defined.

---

**Pb-Free (RoHS):** TI's terms "Lead-Free" or "Pb-Free" mean semiconductor products that are compatible with the current RoHS requirements for all 6 substances, including the requirement that lead not exceed 0.1% by weight in homogeneous materials. Where designed to be soldered at high temperatures, TI Pb-Free products are suitable for use in specified lead-free processes.

**Pb-Free (RoHS Exempt):** This component has a RoHS exemption for either 1) lead-based flip-chip solder bumps used between the die and package, or 2) lead-based die adhesive used between the die and leadframe. The component is otherwise considered Pb-Free (RoHS compatible) as defined above.

**Green (RoHS & no Sb/Br):** TI defines "Green" to mean Pb-Free (RoHS compatible), and free of Bromine (Br) and Antimony (Sb) based flame retardants (Br or Sb do not exceed 0.1% by weight in homogeneous material)

<sup>(3)</sup> MSL, Peak Temp. -- The Moisture Sensitivity Level rating according to the JEDEC industry standard classifications, and peak solder temperature.

<sup>(4)</sup> Multiple Top-Side Markings will be inside parentheses. Only one Top-Side Marking contained in parentheses and separated by a "~" will appear on a device. If a line is indented then it is a continuation of the previous line and the two combined represent the entire Top-Side Marking for that device.

**Important Information and Disclaimer:** The information provided on this page represents TI's knowledge and belief as of the date that it is provided. TI bases its knowledge and belief on information provided by third parties, and makes no representation or warranty as to the accuracy of such information. Efforts are underway to better integrate information from third parties. TI has taken and continues to take reasonable steps to provide representative and accurate information but may not have conducted destructive testing or chemical analysis on incoming materials and chemicals. TI and TI suppliers consider certain information to be proprietary, and thus CAS numbers and other limited information may not be available for release.

In no event shall TI's liability arising out of such information exceed the total purchase price of the TI part(s) at issue in this document sold by TI to Customer on an annual basis.

**TAPE AND REEL INFORMATION**

**QUADRANT ASSIGNMENTS FOR PIN 1 ORIENTATION IN TAPE**


\*All dimensions are nominal

Device	Package Type	Package Drawing	Pins	SPQ	Reel Diameter (mm)	Reel Width W1 (mm)	A0 (mm)	B0 (mm)	K0 (mm)	P1 (mm)	W (mm)	Pin1 Quadrant
MSP430F4250IDLR	SSOP	DL	48	1000	330.0	32.4	11.35	16.2	3.1	16.0	32.0	Q1
MSP430F4250IRGZT	VQFN	RGZ	48	250	180.0	16.4	7.3	7.3	1.5	12.0	16.0	Q2
MSP430F4260IDLR	SSOP	DL	48	1000	330.0	32.4	11.35	16.2	3.1	16.0	32.0	Q1
MSP430F4260IRGZR	VQFN	RGZ	48	2500	330.0	16.4	7.3	7.3	1.5	12.0	16.0	Q2
MSP430F4260IRGZT	VQFN	RGZ	48	250	180.0	16.4	7.3	7.3	1.5	12.0	16.0	Q2
MSP430F4270IDLR	SSOP	DL	48	1000	330.0	32.4	11.35	16.2	3.1	16.0	32.0	Q1
MSP430F4270IRGZT	VQFN	RGZ	48	250	180.0	16.4	7.3	7.3	1.5	12.0	16.0	Q2

**TAPE AND REEL BOX DIMENSIONS**


\*All dimensions are nominal

Device	Package Type	Package Drawing	Pins	SPQ	Length (mm)	Width (mm)	Height (mm)
MSP430F4250IDLR	SSOP	DL	48	1000	367.0	367.0	55.0
MSP430F4250IRGZT	VQFN	RGZ	48	250	210.0	185.0	35.0
MSP430F4260IDLR	SSOP	DL	48	1000	367.0	367.0	55.0
MSP430F4260IRGZR	VQFN	RGZ	48	2500	367.0	367.0	38.0
MSP430F4260IRGZT	VQFN	RGZ	48	250	210.0	185.0	35.0
MSP430F4270IDLR	SSOP	DL	48	1000	367.0	367.0	55.0
MSP430F4270IRGZT	VQFN	RGZ	48	250	210.0	185.0	35.0

# MECHANICAL DATA

DL (R-PDSO-G48)

PLASTIC SMALL-OUTLINE PACKAGE



- NOTES:
- All linear dimensions are in inches (millimeters).
  - This drawing is subject to change without notice.
  - Body dimensions do not include mold flash or protrusion not to exceed 0.006 (0,15).
  - Falls within JEDEC MO-118

PowerPAD is a trademark of Texas Instruments.

RGZ (S-PVQFN-N48)

PLASTIC QUAD FLATPACK NO-LEAD



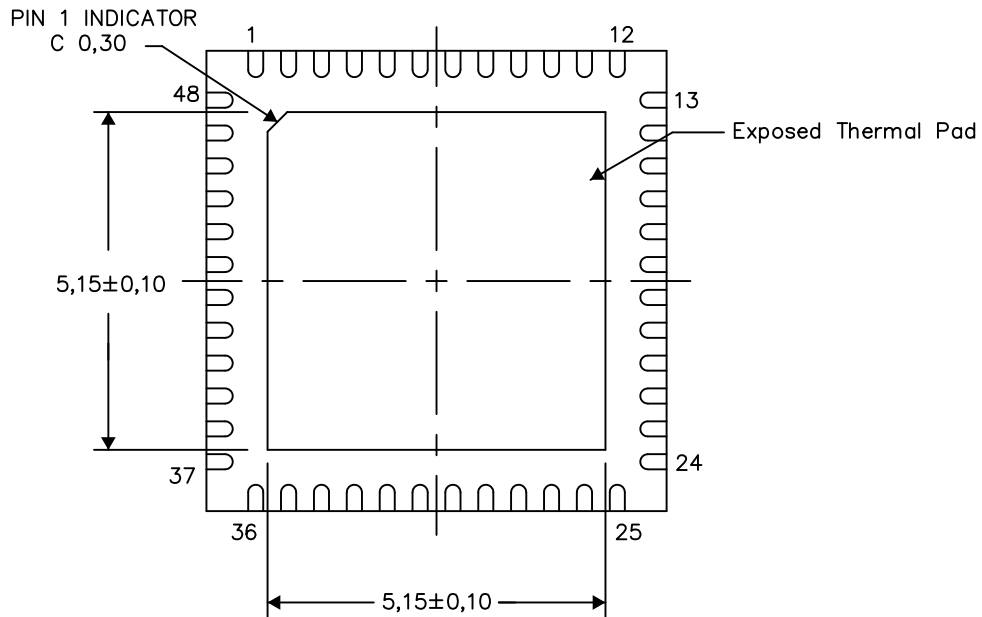
- NOTES:
- A. All linear dimensions are in millimeters. Dimensioning and tolerancing per ASME Y14.5M-1994.
  - B. This drawing is subject to change without notice.
  - C. Quad Flatpack, No-leads (QFN) package configuration.
  - D. The package thermal pad must be soldered to the board for thermal and mechanical performance.
  - E. See the additional figure in the Product Data Sheet for details regarding the exposed thermal pad features and dimensions.
  - F. Falls within JEDEC MO-220.

THERMAL INFORMATION

This package incorporates an exposed thermal pad that is designed to be attached directly to an external heatsink. The thermal pad must be soldered directly to the printed circuit board (PCB). After soldering, the PCB can be used as a heatsink. In addition, through the use of thermal vias, the thermal pad can be attached directly to the appropriate copper plane shown in the electrical schematic for the device, or alternatively, can be attached to a special heatsink structure designed into the PCB. This design optimizes the heat transfer from the integrated circuit (IC).

For information on the Quad Flatpack No-Lead (QFN) package and its advantages, refer to Application Report, QFN/SON PCB Attachment, Texas Instruments Literature No. SLUA271. This document is available at [www.ti.com](http://www.ti.com).

The exposed thermal pad dimensions for this package are shown in the following illustration.



Bottom View

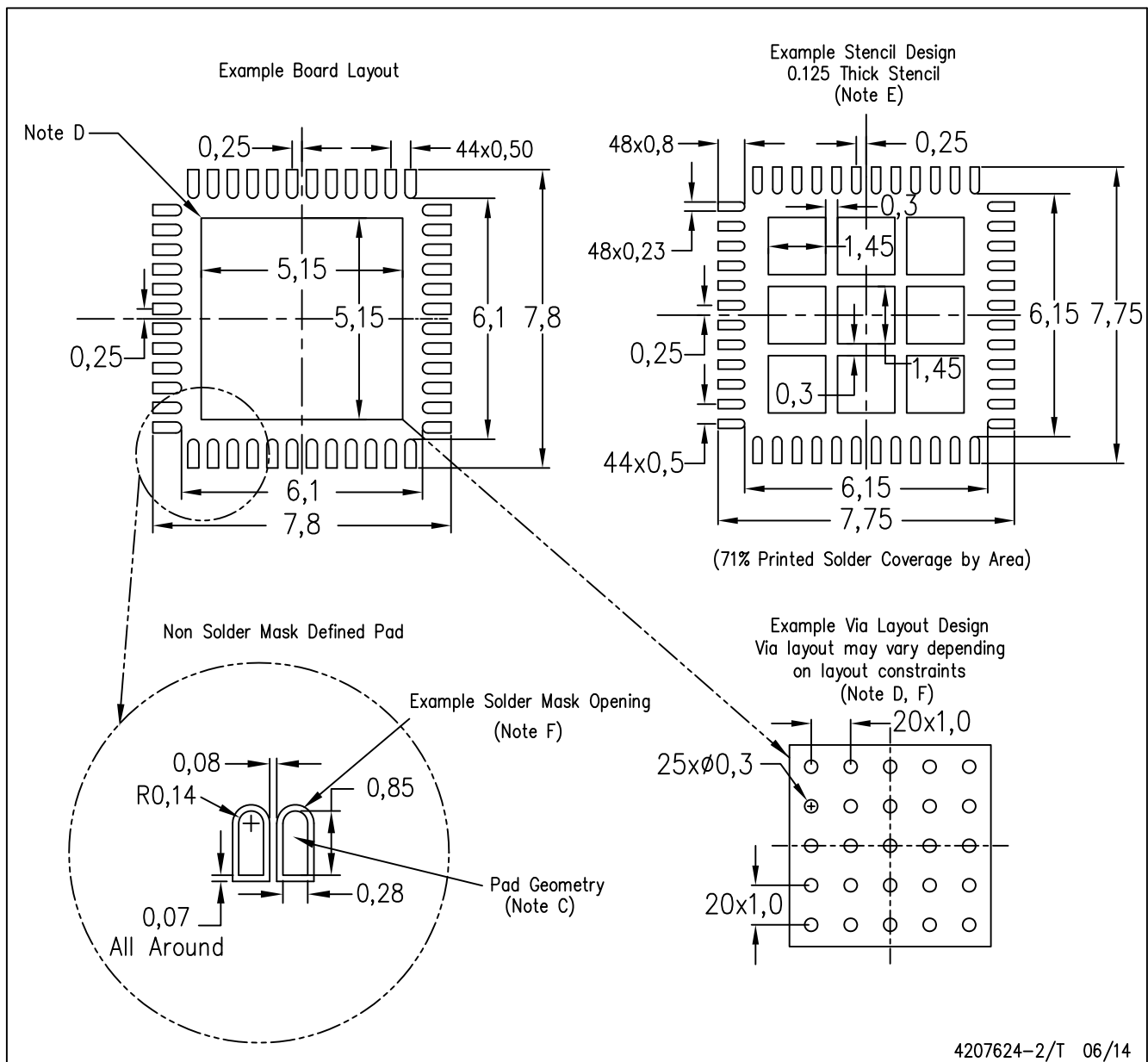
Exposed Thermal Pad Dimensions

4206354-2/Y 06/14

NOTE: All linear dimensions are in millimeters

RGZ (S-PVQFN-N48)

PLASTIC QUAD FLATPACK NO-LEAD



- NOTES:
- All linear dimensions are in millimeters.
  - This drawing is subject to change without notice.
  - Publication IPC-7351 is recommended for alternate designs.
  - This package is designed to be soldered to a thermal pad on the board. Refer to Application Note, Quad Flat-Pack Packages, Texas Instruments Literature No. SLUA271, and also the Product Data Sheets for specific thermal information, via requirements, and recommended board layout. These documents are available at [www.ti.com](http://www.ti.com) <<http://www.ti.com>>.
  - Laser cutting apertures with trapezoidal walls and also rounding corners will offer better paste release. Customers should contact their board assembly site for stencil design recommendations. Refer to IPC 7525 for stencil design considerations.
  - Customers should contact their board fabrication site for recommended solder mask tolerances and via tenting recommendations for vias placed in the thermal pad.



## IMPORTANT NOTICE

Texas Instruments Incorporated and its subsidiaries (TI) reserve the right to make corrections, enhancements, improvements and other changes to its semiconductor products and services per JESD46, latest issue, and to discontinue any product or service per JESD48, latest issue. Buyers should obtain the latest relevant information before placing orders and should verify that such information is current and complete. All semiconductor products (also referred to herein as "components") are sold subject to TI's terms and conditions of sale supplied at the time of order acknowledgment.

TI warrants performance of its components to the specifications applicable at the time of sale, in accordance with the warranty in TI's terms and conditions of sale of semiconductor products. Testing and other quality control techniques are used to the extent TI deems necessary to support this warranty. Except where mandated by applicable law, testing of all parameters of each component is not necessarily performed.

TI assumes no liability for applications assistance or the design of Buyers' products. Buyers are responsible for their products and applications using TI components. To minimize the risks associated with Buyers' products and applications, Buyers should provide adequate design and operating safeguards.

TI does not warrant or represent that any license, either express or implied, is granted under any patent right, copyright, mask work right, or other intellectual property right relating to any combination, machine, or process in which TI components or services are used. Information published by TI regarding third-party products or services does not constitute a license to use such products or services or a warranty or endorsement thereof. Use of such information may require a license from a third party under the patents or other intellectual property of the third party, or a license from TI under the patents or other intellectual property of TI.

Reproduction of significant portions of TI information in TI data books or data sheets is permissible only if reproduction is without alteration and is accompanied by all associated warranties, conditions, limitations, and notices. TI is not responsible or liable for such altered documentation. Information of third parties may be subject to additional restrictions.

Resale of TI components or services with statements different from or beyond the parameters stated by TI for that component or service voids all express and any implied warranties for the associated TI component or service and is an unfair and deceptive business practice. TI is not responsible or liable for any such statements.

Buyer acknowledges and agrees that it is solely responsible for compliance with all legal, regulatory and safety-related requirements concerning its products, and any use of TI components in its applications, notwithstanding any applications-related information or support that may be provided by TI. Buyer represents and agrees that it has all the necessary expertise to create and implement safeguards which anticipate dangerous consequences of failures, monitor failures and their consequences, lessen the likelihood of failures that might cause harm and take appropriate remedial actions. Buyer will fully indemnify TI and its representatives against any damages arising out of the use of any TI components in safety-critical applications.

In some cases, TI components may be promoted specifically to facilitate safety-related applications. With such components, TI's goal is to help enable customers to design and create their own end-product solutions that meet applicable functional safety standards and requirements. Nonetheless, such components are subject to these terms.

No TI components are authorized for use in FDA Class III (or similar life-critical medical equipment) unless authorized officers of the parties have executed a special agreement specifically governing such use.

Only those TI components which TI has specifically designated as military grade or "enhanced plastic" are designed and intended for use in military/aerospace applications or environments. Buyer acknowledges and agrees that any military or aerospace use of TI components which have **not** been so designated is solely at the Buyer's risk, and that Buyer is solely responsible for compliance with all legal and regulatory requirements in connection with such use.

TI has specifically designated certain components as meeting ISO/TS16949 requirements, mainly for automotive use. In any case of use of non-designated products, TI will not be responsible for any failure to meet ISO/TS16949.

### Products

Audio	<a href="http://www.ti.com/audio">www.ti.com/audio</a>
Amplifiers	<a href="http://amplifier.ti.com">amplifier.ti.com</a>
Data Converters	<a href="http://dataconverter.ti.com">dataconverter.ti.com</a>
DLP® Products	<a href="http://www.dlp.com">www.dlp.com</a>
DSP	<a href="http://dsp.ti.com">dsp.ti.com</a>
Clocks and Timers	<a href="http://www.ti.com/clocks">www.ti.com/clocks</a>
Interface	<a href="http://interface.ti.com">interface.ti.com</a>
Logic	<a href="http://logic.ti.com">logic.ti.com</a>
Power Mgmt	<a href="http://power.ti.com">power.ti.com</a>
Microcontrollers	<a href="http://microcontroller.ti.com">microcontroller.ti.com</a>
RFID	<a href="http://www.ti-rfid.com">www.ti-rfid.com</a>
OMAP Applications Processors	<a href="http://www.ti.com/omap">www.ti.com/omap</a>
Wireless Connectivity	<a href="http://www.ti.com/wirelessconnectivity">www.ti.com/wirelessconnectivity</a>

### Applications

Automotive and Transportation	<a href="http://www.ti.com/automotive">www.ti.com/automotive</a>
Communications and Telecom	<a href="http://www.ti.com/communications">www.ti.com/communications</a>
Computers and Peripherals	<a href="http://www.ti.com/computers">www.ti.com/computers</a>
Consumer Electronics	<a href="http://www.ti.com/consumer-apps">www.ti.com/consumer-apps</a>
Energy and Lighting	<a href="http://www.ti.com/energy">www.ti.com/energy</a>
Industrial	<a href="http://www.ti.com/industrial">www.ti.com/industrial</a>
Medical	<a href="http://www.ti.com/medical">www.ti.com/medical</a>
Security	<a href="http://www.ti.com/security">www.ti.com/security</a>
Space, Avionics and Defense	<a href="http://www.ti.com/space-avionics-defense">www.ti.com/space-avionics-defense</a>
Video and Imaging	<a href="http://www.ti.com/video">www.ti.com/video</a>

### TI E2E Community

[e2e.ti.com](http://e2e.ti.com)