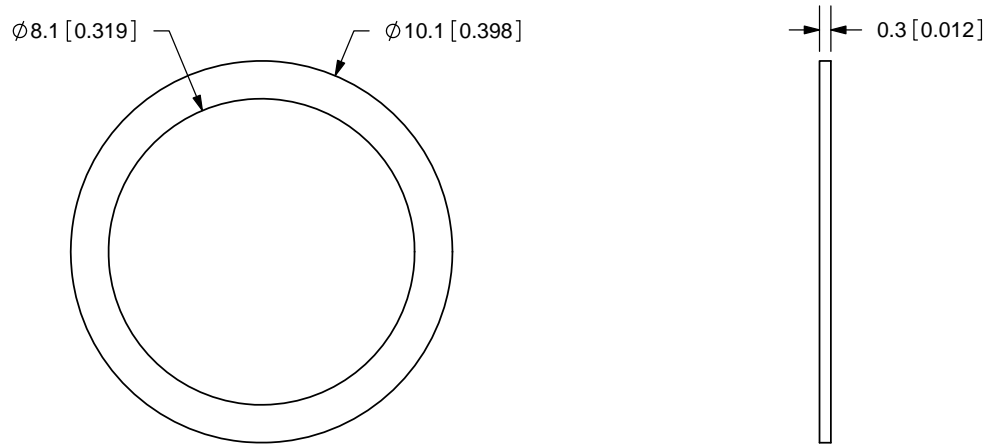
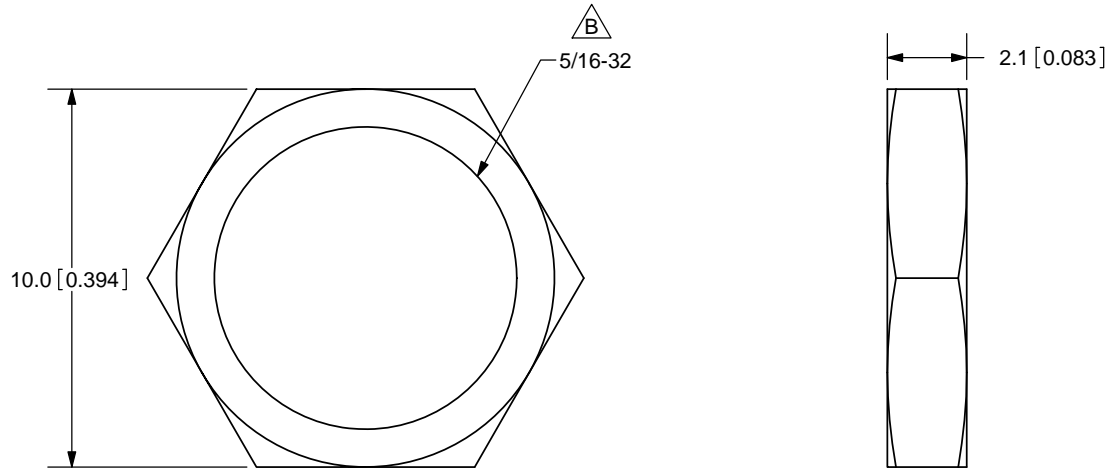


REV.	DESCRIPTION	DATE
A	NEW DRAWING	11/11/2009
B	CORRECTED THREAD SIZE	9/11/2015



TOLERANCE:
 $\pm 0.1\text{mm}$ UNLESS OTHERWISE
 SPECIFIED



20050 SW 112th Ave.
 Tualatin, OR 97062
 Phone: 503-612-2300
 800-275-4899
 Fax: 503-612-2383
 Website: www.cui.com

TITLE: 5/16-32 NUT		REV: B
PART NO. PJ-005X-HDW		UNITS: MM [INCHES]
DRAWN BY: RDS	APPROVED BY:	SCALE: 5:1

	MATERIAL	PLATING	COLOR
NUT	Brass	Nickel	Silver
WASHER	Steel	Nickel	Silver

PC FILE NAME:
 PJ-005X-HDW

COPYRIGHT 2009
 BY CUI INC.