

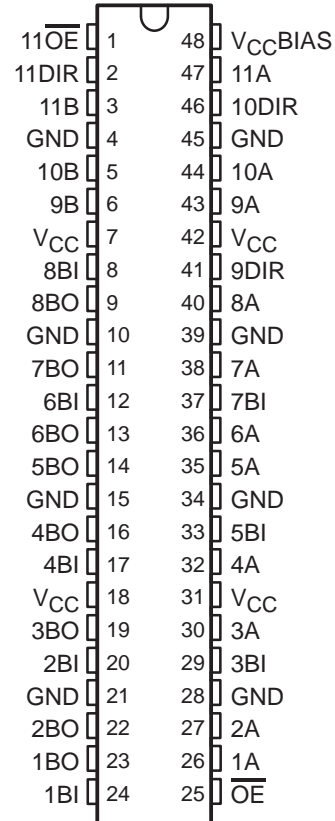
SN74ABTE16246

11-BIT INCIDENT-WAVE SWITCHING BUS TRANSCEIVER WITH 3-STATE AND OPEN-COLLECTOR OUTPUTS

SCBS227J – JULY 1993 – REVISED AUGUST 2003

- Member of the Texas Instruments Widebus™ Family
- Supports the VME64 ETL Specification
- Reduced TTL-Compatible Input Threshold Range
- High-Drive Outputs ($I_{OH} = -60\text{ mA}$, $I_{OL} = 90\text{ mA}$) Support Equivalent 25- Ω Incident-Wave Switching
- V_{CCBIAS} Pin Minimizes Signal Distortion During Live Insertion
- Internal Pullup Resistor on \overline{OE} Keeps Outputs in High-Impedance State During Power Up or Power Down
- Distributed V_{CC} and GND Pins Minimize High-Speed Switching Noise
- Equivalent 25- Ω Series Damping Resistor on B Port
- Bus Hold on Data Inputs Eliminates the Need for External Pullup/Pulldown Resistors

DGG OR DL PACKAGE
(TOP VIEW)



description/ordering information

The SN74ABTE16246 is an 11-bit noninverting transceiver designed for asynchronous two-way communication between buses. This device has open-collector and 3-state outputs. The device allows data transmission from the A bus to the B bus or from the B bus to the A bus, depending on the logic level at the direction-control (DIR) input. The output-enable (\overline{OE}) input can be used to disable the device so that the buses are effectively isolated. When \overline{OE} is low, the device is active.

The B port has an equivalent 25- Ω series output resistor to reduce ringing. Active bus-hold inputs on the B port hold unused or floating inputs at a valid logic level.

The A port provides for the precharging of the outputs via V_{CCBIAS} , which establishes a voltage between 1.3 V and 1.7 V when V_{CC} is not connected.

Active bus-hold circuitry holds unused or undriven inputs at a valid logic state. Use of pullup or pulldown resistors with the bus-hold circuitry is not recommended.

ORDERING INFORMATION

T _A	PACKAGE†		ORDERABLE PART NUMBER	TOP-SIDE MARKING
-40°C to 85°C	SSOP – DL	Tube	SN74ABTE16246DL	ABTE16246
		Tape and reel	SN74ABTE16246DLR	
	TSSOP – DGG	Tape and reel	SN74ABTE16246DGGR	ABTE16246

† Package drawings, standard packing quantities, thermal data, symbolization, and PCB design guidelines are available at www.ti.com/sc/package.



Please be aware that an important notice concerning availability, standard warranty, and use in critical applications of Texas Instruments semiconductor products and disclaimers thereto appears at the end of this data sheet.

Widebus is a trademark of Texas Instruments.

PRODUCTION DATA information is current as of publication date. Products conform to specifications per the terms of Texas Instruments standard warranty. Production processing does not necessarily include testing of all parameters.



POST OFFICE BOX 655303 • DALLAS, TEXAS 75265

Copyright © 2003, Texas Instruments Incorporated

SN74ABTE16246

**11-BIT INCIDENT-WAVE SWITCHING BUS TRANSCEIVER
WITH 3-STATE AND OPEN-COLLECTOR OUTPUTS**

SCBS227J – JULY 1993 – REVISED AUGUST 2003

FUNCTION TABLE

INPUTS					OPERATION
\overline{OE}	9DIR	10DIR	11DIR	11 \overline{OE}	
H	X	X	X	X	Isolation
L	X	X	X	X	1BI–8BI data to 1A–8A bus (OC [†]), 1A–8A data to 1BO–8BO bus
L	L	X	X	X	9A data to 9B bus
L	H	X	X	X	9B data to 9A bus
L	X	L	X	X	10A data to 10B bus
L	X	H	X	X	10B data to 10A bus
L	X	X	L	L	11A data to 11B bus
L	X	X	L	H	11A, 11B isolation
L	X	X	H	X	11B data to 11A bus

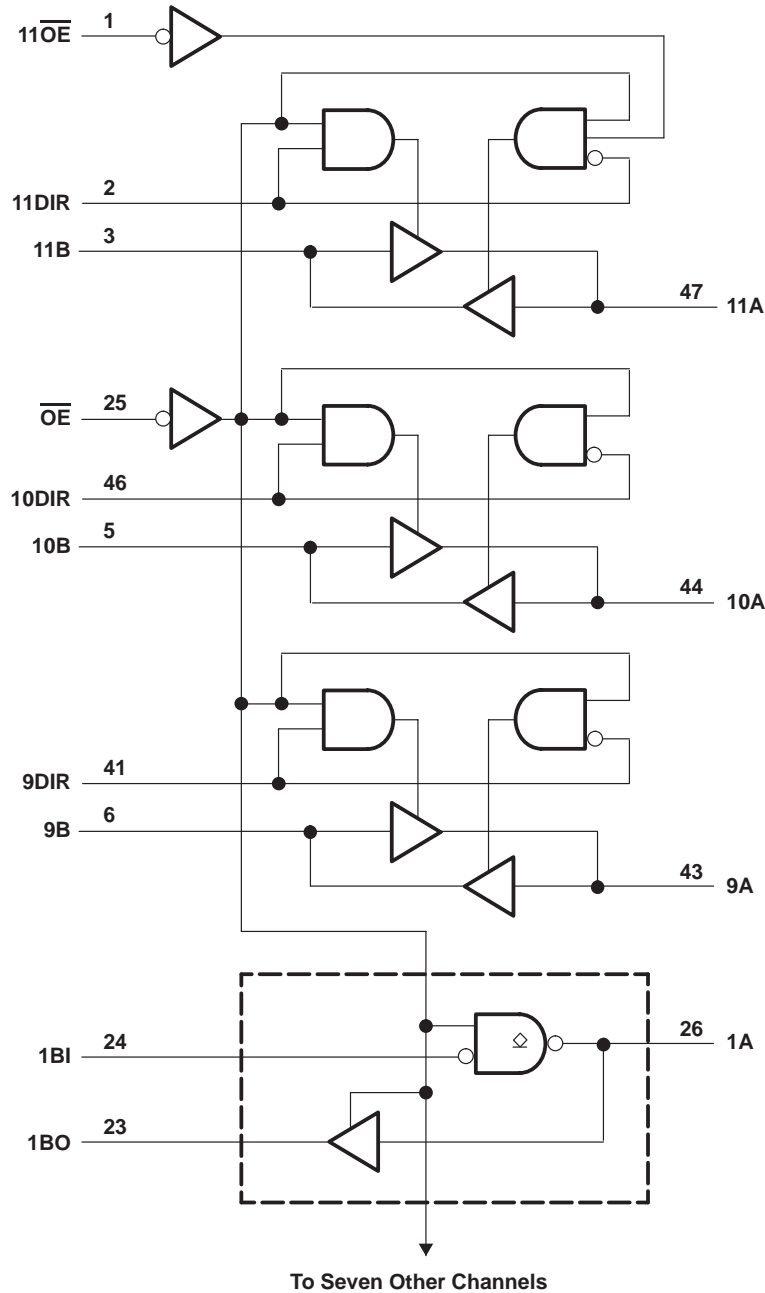
[†] OC = Open-collector outputs



SN74ABTE16246
11-BIT INCIDENT-WAVE SWITCHING BUS TRANSCEIVER
WITH 3-STATE AND OPEN-COLLECTOR OUTPUTS

SCBS227J – JULY 1993 – REVISED AUGUST 2003

logic diagram (positive logic)



SN74ABTE16246

11-BIT INCIDENT-WAVE SWITCHING BUS TRANSCEIVER WITH 3-STATE AND OPEN-COLLECTOR OUTPUTS

SCBS227J – JULY 1993 – REVISED AUGUST 2003

absolute maximum ratings over operating free-air temperature range (unless otherwise noted)†

Supply voltage range, V_{CC} and V_{CCBIAS}	–0.5 V to 7 V
Input voltage range, V_I (except I/O ports) (see Note 1)	–0.5 V to 7 V
Voltage range applied to any output in the high or power-off state, V_O	–0.5 V to 5.5 V
Current into any output in the low state, I_O	128 mA
Input clamp current, I_{IK} ($V_I < 0$)	–18 mA
Output clamp current, I_{OK} ($V_O < 0$)	–50 mA
Package thermal impedance, θ_{JA} (see Note 2): DGG package	70°C/W
DL package	63°C/W
Storage temperature range, T_{stg}	–65°C to 150°C

† Stresses beyond those listed under “absolute maximum ratings” may cause permanent damage to the device. These are stress ratings only, and functional operation of the device at these or any other conditions beyond those indicated under “recommended operating conditions” is not implied. Exposure to absolute-maximum-rated conditions for extended periods may affect device reliability.

- NOTES: 1. The input and output negative-voltage ratings may be exceeded if the input and output clamp-current ratings are observed.
2. The package thermal impedance is calculated in accordance with JESD 51-7.

recommended operating conditions (see Note 3)

		MIN	NOM	MAX	UNIT
V_{CC} , V_{CCBIAS}	Supply voltage	4.5	5	5.5	V
V_{IH}	High-level input voltage	\overline{OE}	2		V
		Except \overline{OE}	1.6		
V_{IL}	Low-level input voltage	\overline{OE}		0.8	V
		Except \overline{OE}		1.4	
V_{OH}	High-level output voltage			5.5	V
V_I	Input voltage	0		V_{CC}	V
I_{OH}	High-level output current	B bus		–12	mA
		9A–11A		–64	
I_{OL}	Low-level output current	B bus		12	mA
		A bus		90	
$\Delta t/\Delta v$	Input transition rise or fall rate			10	ns/V
T_A	Operating free-air temperature	–40		85	°C

NOTE 3: All unused control inputs of the device must be held at V_{CC} or GND to ensure proper device operation. Refer to the TI application report, *Implications of Slow or Floating CMOS Inputs*, literature number SCBA004.



SN74ABTE16246
11-BIT INCIDENT-WAVE SWITCHING BUS TRANSCEIVER
WITH 3-STATE AND OPEN-COLLECTOR OUTPUTS

SCBS227J – JULY 1993 – REVISED AUGUST 2003

electrical characteristics over recommended operating free-air temperature range (unless otherwise noted)

PARAMETER		TEST CONDITIONS		MIN	TYP†	MAX	UNIT
V_{IK}		$V_{CC} = 4.5\text{ V}$,	$I_I = -18\text{ mA}$			-1.2	V
V_{OH}	B port	$V_{CC} = 5.5\text{ V}$,	$I_{OH} = -100\text{ }\mu\text{A}$			$V_{CC}-0.2$	V
		$V_{CC} = 4.5\text{ V}$	$I_{OH} = -1\text{ mA}$	2.4			
		$I_{OH} = -12\text{ mA}$	2				
	9A–11A	$V_{CC} = 5.5\text{ V}$,	$I_{OH} = -1\text{ mA}$			4.5	
		$V_{CC} = 4.5\text{ V}$	$I_{OH} = -32\text{ mA}$	2.4			
			$I_{OH} = -64\text{ mA}$	2			
I_{OH}	1A–8A	$V_{CC} = 4.5\text{ V}$,	$V_{OH} = 5.5\text{ V}$			20	μA
V_{OL}	B port	$V_{CC} = 4.5\text{ V}$	$I_{OL} = 1\text{ mA}$			0.4	V
			$I_{OL} = 12\text{ mA}$			0.8	
	A port	$V_{CC} = 4.5\text{ V}$	$I_{OL} = 64\text{ mA}$			0.55	
			$I_{OL} = 90\text{ mA}$			0.9	
V_{hys}					100		mV
$I_{I(\text{hold})}$	B port	$V_{CC} = 4.5\text{ V}$	$V_I = 0.8\text{ V}$	100			μA
			$V_I = 2\text{ V}$	-100			
		$V_{CC} = 5.5\text{ V}$,	$V_I = 0\text{ to }5.5\text{ V}$			± 500	
I_I	Control inputs	$V_{CC} = 5.5\text{ V}$	$V_I = V_{CC}\text{ or GND}$			± 1	μA
	A or B ports	$V_{CC} = 5.5\text{ V}$, $\overline{OE} = V_{CC}$		± 20			
I_{OZH}^\ddagger	9A–11A	$V_{CC} = 5.5\text{ V}$,	$V_O = 2.7\text{ V}$			10	μA
I_{OZL}^\ddagger	9A–11A	$V_{CC} = 5.5\text{ V}$,	$V_O = 0.5\text{ V}$			-10	μA
I_O	A port	$V_{CC} = 5.5\text{ V}$,	$V_O = 2.5\text{ V}$	-50		-180	mA
	B port			-25		-90	
I_{off}		$V_{CC} = 0$, V_I or $V_O \leq 4.5\text{ V}$,	$V_{CCBIAS} = 0$			± 100	μA
I_{CC}	A or B ports	$V_{CC} = 5.5\text{ V}$, $I_O = 0$, $V_I = V_{CC}\text{ or GND}$	Outputs high	28		36	mA
			Outputs low	38		48	
			Outputs disabled	20		32	
I_{CCD}	A or B ports	$V_{CC} = 5\text{ V}$, $C_L = 50\text{ pF}$	\overline{OE} high	0.02			mA/ MHz
			\overline{OE} low	0.33			
C_i	Control inputs	$V_I = 2.5\text{ V}$ or 0.5 V		2.5		4	pF
C_{iO}	I/O ports	$V_O = 2.5\text{ V}$ or 0.5 V		4.5		8	pF

† All typical values are at $V_{CC} = 5\text{ V}$, $T_A = 25^\circ\text{C}$.

‡ The parameters I_{OZH} and I_{OZL} include the input leakage current.

SN74ABTE16246

11-BIT INCIDENT-WAVE SWITCHING BUS TRANSCEIVER WITH 3-STATE AND OPEN-COLLECTOR OUTPUTS

SCBS227J – JULY 1993 – REVISED AUGUST 2003

live-insertion specifications over recommended operating free-air temperature range

PARAMETER		TEST CONDITIONS			MIN	TYP†	MAX	UNIT	
I _{CC} (V _{CC} BIAS)		V _{CC} = 0 to 4.5 V,	V _{CC} BIAS = 4.5 V to 5.5 V,	I _O (DC) = 0	250	700	μA		
		V _{CC} = 4.5 V to 5.5 V‡,	V _{CC} BIAS = 4.5 V to 5.5 V,	I _O (DC) = 0	20				
V _O	A port	V _{CC} = 0	V _{CC} BIAS = 4.5 V to 5.5 V			1.1	1.5	1.9	V
			V _{CC} BIAS = 4.75 V to 5.25 V			1.3	1.5	1.7	
I _O	A port	V _{CC} = 0,	V _{CC} BIAS = 4.5 V	V _O = 0	-20	-100	μA		
				V _O = 3 V	20	100			

† All typical values are at V_{CC} = 5 V, T_A = 25°C.

‡ V_{CC} – 0.5 V < V_{CC}BIAS

switching characteristics over recommended ranges of supply voltage and operating free-air temperature, C_L = 50 pF (unless otherwise noted) (see Figure 2)

PARAMETER	FROM (INPUT)	TO (OUTPUT)	V _{CC} = 5 V, T _A = 25°C			MIN	MAX	UNIT
			MIN	TYP	MAX			
t _{PLH}	A	B	1.5	3.1	4.2	1.5	5.2	ns
t _{PHL}			1.5	3.5	4.6	1.5	5.2	
t _{PLH}	9B–11B	9A–11A	1.5	3	3.8	1.5	4.5	ns
t _{PHL}			1.5	3.2	4	1.5	4.5	
t _{PLH} §	1B–8B	1A–8A	1.5	3.2	4	1.5	4.5	ns
t _{PLH} ¶			7.5	8.9	9.7	7.5	10.3	
t _{PHL}			1.5	3.2	4	1.5	4.5	
t _{PZH}	OE	9A–11A	2	4.3	5.3	2	6.2	ns
t _{PZL}		1A–11A	2	4.4	5.4	2	6.8	
t _{PZH}	OE	B	2	4.3	6	2	7.1	ns
t _{PZL}			2	4.5	6.4	2	7.3	
t _{PHZ}	OE	9A–11A	2	4.2	5.9	2	6.7	ns
t _{PLZ}		1A–11A	2	3.5	4.6	2	5.1	
t _{PHZ}	OE	B	2.5	4.3	6.2	2.5	7	ns
t _{PLZ}			2	3.6	5	2	5.5	

§ Measurement point is V_{OL} + 0.3 V.

¶ Measurement point is V_{OL} + 1.5 V.



SN74ABTE16246
11-BIT INCIDENT-WAVE SWITCHING BUS TRANSCEIVER
WITH 3-STATE AND OPEN-COLLECTOR OUTPUTS

SCBS227J – JULY 1993 – REVISED AUGUST 2003

extended switching characteristics over recommended ranges of supply voltage and operating free-air temperature, $C_L = 50$ pF (unless otherwise noted) (see Figure 2)

PARAMETER	FROM (INPUT)	TO (OUTPUT)	LOAD	$V_{CC} = 5$ V, $T_A = 25^\circ$ C			MIN	MAX	UNIT
				MIN	TYP	MAX			
t_{PLH}	9B–11B	9A–11A	$R_X = 13 \Omega$	1.5	3.2	4	1.5	4.8	ns
t_{PHL}				1.5	3.8	4.7	1.5	5.6	
t_{PHL}	1B–8B	1A–8A	$R_X = 13 \Omega$	1.5	3.3	4.2	1.5	4.8	ns
t_{PLH}	9B–11B	9A–11A	$R_X = 26 \Omega$	1.5	3.1	4	1.5	4.6	ns
t_{PHL}				1.5	3.5	4.4	1.5	4.9	
t_{PHL}	1B–8B	1A–8A	$R_X = 26 \Omega$	1.5	3.1	4	1.5	4.4	ns
t_{PLH}	9B–11B	1A–8A	$R_X = 56 \Omega$	1.5	3	3.8	1.5	4.5	ns
t_{PHL}				1.5	3.3	4.2	1.5	4.7	
t_{PHL}	1B–8B	1A–8A	$R_X = 56 \Omega$	1.5	3	4	1.5	4.4	ns
$t_{sk(p)}$	B	A	$R_X = \text{Open}$	0.1	0.6		2	ns	
	A	B	$R_X = \text{Open}$	0.4	0.8		2		
	B	A	$R_X = 26 \Omega$	0.3	0.8		2		
$t_{sk(o)}$	B	A	$R_X = \text{Open}$	0.3	0.7		1.3	ns	
	A	B	$R_X = \text{Open}$	0.7	1.1		1.3		
	B	A	$R_X = 26 \Omega$	0.5	1		1.3		
t_t^\dagger	B	A	$R_X = 26 \Omega$	0.5	0.8	1.5	0.5	1.5	ns
t_t^\ddagger	A	B	$R_X = \text{Open}$	3.5	5.5	7.3	3.5	7.9	ns

$^\dagger t_t$ is measured between 1 V and 2 V of the output waveform.

$^\ddagger t_t$ is measured between 10% and 90% of the output waveform.

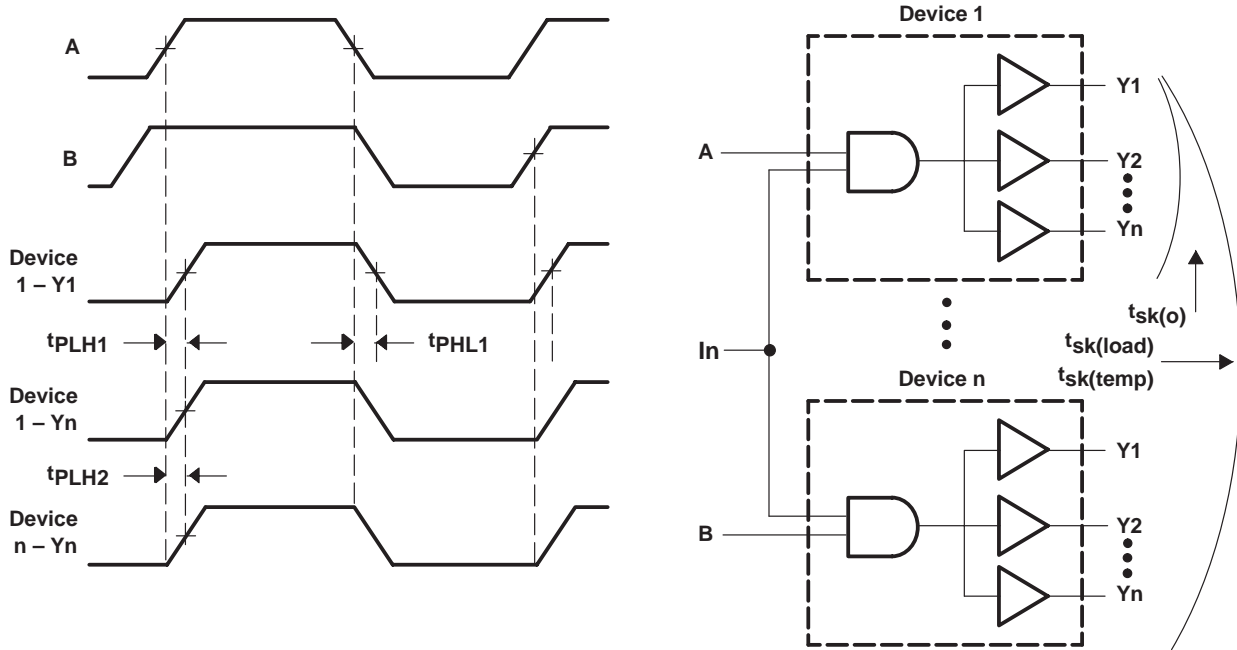
extended output characteristics over recommended ranges of supply voltage and operating free-air temperature, $C_L = 50$ pF (see Figures 1 and 2)

PARAMETER	FROM (INPUT)	TO (OUTPUT)	TEST CONDITIONS	LOAD	MIN	MAX	UNIT
$t_{sk(temp)}$	A	B	$V_{CC} = \text{constant},$ $\Delta T_A = 20^\circ$ C			2.5	ns
	B	A		$R_X = 56 \Omega$		4	
$t_{sk(load)}$	B	A	$V_{CC} = \text{constant},$ Temperature = constant	$R_X = 13, 26, \text{ or } 56 \Omega$		4	ns

SN74ABTE16246
11-BIT INCIDENT-WAVE SWITCHING BUS TRANSCEIVER
WITH 3-STATE AND OPEN-COLLECTOR OUTPUTS

SCBS227J – JULY 1993 – REVISED AUGUST 2003

PARAMETER MEASUREMENT INFORMATION



- NOTES:
- A. Pulse skew, $t_{sk(p)}$, is defined as the difference in propagation-delay times t_{PLH1} and t_{PLH1} on the same terminal at identical operating conditions.
 - B. Output skew, $t_{sk(o)}$, is defined as the difference in propagation delay of any two outputs of the same device switching in the same direction (e.g., $|t_{PLH1} - t_{PLH2}|$).
 - C. Temperature skew, $t_{sk(temp)}$, is the output skew of two devices, both having the same value of $V_{CC} \pm 1\%$ and with package temperature differences of 20°C .
 - D. Load skew, $t_{sk(load)}$, is measured with R_X in Figure 2 at $13\ \Omega$ for one unit and $56\ \Omega$ for the other unit.

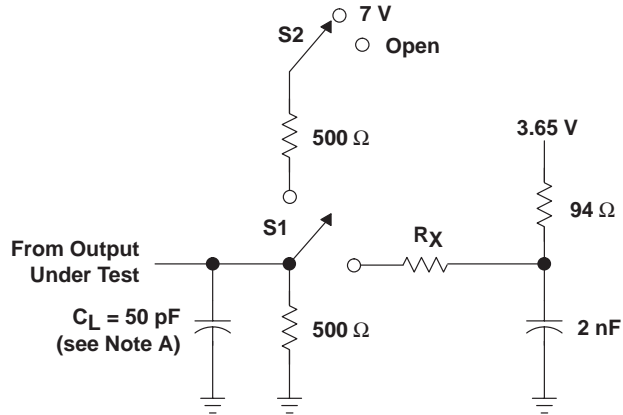
Figure 1. Voltage Waveforms for Extended Characteristics

SN74ABTE16246

11-BIT INCIDENT-WAVE SWITCHING BUS TRANSCEIVER WITH 3-STATE AND OPEN-COLLECTOR OUTPUTS

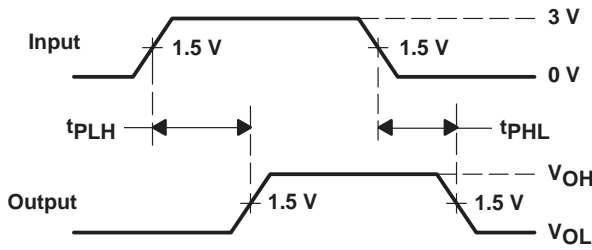
SCBS227J – JULY 1993 – REVISED AUGUST 2003

PARAMETER MEASUREMENT INFORMATION

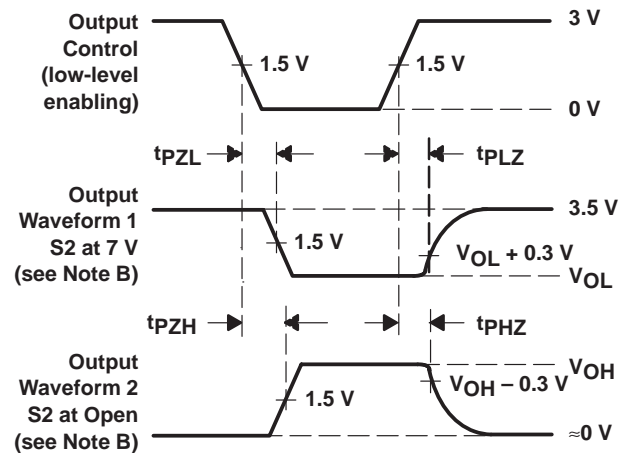


$R_X = 13, 26, \text{ or } 56 \Omega$

LOAD CIRCUIT



**VOLTAGE WAVEFORMS
PROPAGATION DELAY TIMES**



**VOLTAGE WAVEFORMS
ENABLE AND DISABLE TIMES**

SWITCHING TABLE LOADS	S1	S2
t_{PLH}/t_{PHL} (9A–11A and B port)	Up	Open
t_{PLH}/t_{PHL} (1A–8A)	Up	7 V
t_{PLZ}/t_{PZL}	Up	7 V
t_{PHZ}/t_{PZH} (except 1A–8A)	Up	Open

EXTENDED SWITCHING TABLE LOADS	S1	S2
$t_{PLH}/t_{PHL}/t_{sk}$ (A port)	Down	X
$t_{PLH}/t_{PHL}/t_{sk}$ (B port)	Up	Open
t_t (A port) (see Note E)	Down	X
t_t (B port) (see Note F)	Up	Open

- NOTES: A. C_L includes probe and jig capacitance.
 B. Waveform 1 is for an output with internal conditions such that the output is low except when disabled by the output control. Waveform 2 is for an output with internal conditions such that the output is high except when disabled by the output control.
 C. All input pulses are supplied by generators having the following characteristics: $PRR \leq 10 \text{ MHz}$, $Z_O = 50 \Omega$, $t_r \leq 2.5 \text{ ns}$, $t_f \leq 2.5 \text{ ns}$.
 D. The outputs are measured one at a time with one transition per measurement.
 E. t_t is measured between 1 V and 2 V of the output waveform.
 F. t_t is measured between 10% and 90% of the output waveform.

Figure 2. Load Circuit and Voltage Waveforms

PACKAGING INFORMATION

Orderable Device	Status (1)	Package Type	Package Drawing	Pins	Package Qty	Eco Plan (2)	Lead/Ball Finish (6)	MSL Peak Temp (3)	Op Temp (°C)	Device Marking (4/5)	Samples
SN74ABTE16246DGGR	ACTIVE	TSSOP	DGG	48	2000	Green (RoHS & no Sb/Br)	CU NIPDAU	Level-1-260C-UNLIM	-40 to 85	ABTE16246	Samples
SN74ABTE16246DL	ACTIVE	SSOP	DL	48	25	Green (RoHS & no Sb/Br)	CU NIPDAU	Level-1-260C-UNLIM	-40 to 85	ABTE16246	Samples
SN74ABTE16246DLG4	ACTIVE	SSOP	DL	48	25	Green (RoHS & no Sb/Br)	CU NIPDAU	Level-1-260C-UNLIM	-40 to 85	ABTE16246	Samples
SN74ABTE16246DLR	ACTIVE	SSOP	DL	48	1000	Green (RoHS & no Sb/Br)	CU NIPDAU	Level-1-260C-UNLIM	-40 to 85	ABTE16246	Samples

(1) The marketing status values are defined as follows:

ACTIVE: Product device recommended for new designs.

LIFEBUY: TI has announced that the device will be discontinued, and a lifetime-buy period is in effect.

NRND: Not recommended for new designs. Device is in production to support existing customers, but TI does not recommend using this part in a new design.

PREVIEW: Device has been announced but is not in production. Samples may or may not be available.

OBSOLETE: TI has discontinued the production of the device.

(2) Eco Plan - The planned eco-friendly classification: Pb-Free (RoHS), Pb-Free (RoHS Exempt), or Green (RoHS & no Sb/Br) - please check <http://www.ti.com/productcontent> for the latest availability information and additional product content details.

TBD: The Pb-Free/Green conversion plan has not been defined.

Pb-Free (RoHS): TI's terms "Lead-Free" or "Pb-Free" mean semiconductor products that are compatible with the current RoHS requirements for all 6 substances, including the requirement that lead not exceed 0.1% by weight in homogeneous materials. Where designed to be soldered at high temperatures, TI Pb-Free products are suitable for use in specified lead-free processes.

Pb-Free (RoHS Exempt): This component has a RoHS exemption for either 1) lead-based flip-chip solder bumps used between the die and package, or 2) lead-based die adhesive used between the die and leadframe. The component is otherwise considered Pb-Free (RoHS compatible) as defined above.

Green (RoHS & no Sb/Br): TI defines "Green" to mean Pb-Free (RoHS compatible), and free of Bromine (Br) and Antimony (Sb) based flame retardants (Br or Sb do not exceed 0.1% by weight in homogeneous material)

(3) MSL, Peak Temp. - The Moisture Sensitivity Level rating according to the JEDEC industry standard classifications, and peak solder temperature.

(4) There may be additional marking, which relates to the logo, the lot trace code information, or the environmental category on the device.

(5) Multiple Device Markings will be inside parentheses. Only one Device Marking contained in parentheses and separated by a "~" will appear on a device. If a line is indented then it is a continuation of the previous line and the two combined represent the entire Device Marking for that device.

(6) Lead/Ball Finish - Orderable Devices may have multiple material finish options. Finish options are separated by a vertical ruled line. Lead/Ball Finish values may wrap to two lines if the finish value exceeds the maximum column width.

Important Information and Disclaimer: The information provided on this page represents TI's knowledge and belief as of the date that it is provided. TI bases its knowledge and belief on information provided by third parties, and makes no representation or warranty as to the accuracy of such information. Efforts are underway to better integrate information from third parties. TI has taken and continues to take reasonable steps to provide representative and accurate information but may not have conducted destructive testing or chemical analysis on incoming materials and chemicals. TI and TI suppliers consider certain information to be proprietary, and thus CAS numbers and other limited information may not be available for release.

In no event shall TI's liability arising out of such information exceed the total purchase price of the TI part(s) at issue in this document sold by TI to Customer on an annual basis.

TAPE AND REEL INFORMATION

QUADRANT ASSIGNMENTS FOR PIN 1 ORIENTATION IN TAPE


*All dimensions are nominal

Device	Package Type	Package Drawing	Pins	SPQ	Reel Diameter (mm)	Reel Width W1 (mm)	A0 (mm)	B0 (mm)	K0 (mm)	P1 (mm)	W (mm)	Pin1 Quadrant
SN74ABTE16246DGGR	TSSOP	DGG	48	2000	330.0	24.4	8.6	13.0	1.8	12.0	24.0	Q1
SN74ABTE16246DLR	SSOP	DL	48	1000	330.0	32.4	11.35	16.2	3.1	16.0	32.0	Q1

TAPE AND REEL BOX DIMENSIONS


*All dimensions are nominal

Device	Package Type	Package Drawing	Pins	SPQ	Length (mm)	Width (mm)	Height (mm)
SN74ABTE16246DGGR	TSSOP	DGG	48	2000	367.0	367.0	45.0
SN74ABTE16246DLR	SSOP	DL	48	1000	367.0	367.0	55.0

DGG (R-PDSO-G**)

PLASTIC SMALL-OUTLINE PACKAGE

48 PINS SHOWN



- NOTES: A. All linear dimensions are in millimeters.
 B. This drawing is subject to change without notice.
 C. Body dimensions do not include mold protrusion not to exceed 0,15.
 D. Falls within JEDEC MO-153

MECHANICAL DATA

DL (R-PDSO-G48)

PLASTIC SMALL-OUTLINE PACKAGE



- NOTES:
- All linear dimensions are in inches (millimeters).
 - This drawing is subject to change without notice.
 - Body dimensions do not include mold flash or protrusion not to exceed 0.006 (0,15).
 - Falls within JEDEC MO-118

PowerPAD is a trademark of Texas Instruments.

IMPORTANT NOTICE FOR TI DESIGN INFORMATION AND RESOURCES

Texas Instruments Incorporated ("TI") technical, application or other design advice, services or information, including, but not limited to, reference designs and materials relating to evaluation modules, (collectively, "TI Resources") are intended to assist designers who are developing applications that incorporate TI products; by downloading, accessing or using any particular TI Resource in any way, you (individually or, if you are acting on behalf of a company, your company) agree to use it solely for this purpose and subject to the terms of this Notice.

TI's provision of TI Resources does not expand or otherwise alter TI's applicable published warranties or warranty disclaimers for TI products, and no additional obligations or liabilities arise from TI providing such TI Resources. TI reserves the right to make corrections, enhancements, improvements and other changes to its TI Resources.

You understand and agree that you remain responsible for using your independent analysis, evaluation and judgment in designing your applications and that you have full and exclusive responsibility to assure the safety of your applications and compliance of your applications (and of all TI products used in or for your applications) with all applicable regulations, laws and other applicable requirements. You represent that, with respect to your applications, you have all the necessary expertise to create and implement safeguards that (1) anticipate dangerous consequences of failures, (2) monitor failures and their consequences, and (3) lessen the likelihood of failures that might cause harm and take appropriate actions. You agree that prior to using or distributing any applications that include TI products, you will thoroughly test such applications and the functionality of such TI products as used in such applications. TI has not conducted any testing other than that specifically described in the published documentation for a particular TI Resource.

You are authorized to use, copy and modify any individual TI Resource only in connection with the development of applications that include the TI product(s) identified in such TI Resource. NO OTHER LICENSE, EXPRESS OR IMPLIED, BY ESTOPPEL OR OTHERWISE TO ANY OTHER TI INTELLECTUAL PROPERTY RIGHT, AND NO LICENSE TO ANY TECHNOLOGY OR INTELLECTUAL PROPERTY RIGHT OF TI OR ANY THIRD PARTY IS GRANTED HEREIN, including but not limited to any patent right, copyright, mask work right, or other intellectual property right relating to any combination, machine, or process in which TI products or services are used. Information regarding or referencing third-party products or services does not constitute a license to use such products or services, or a warranty or endorsement thereof. Use of TI Resources may require a license from a third party under the patents or other intellectual property of the third party, or a license from TI under the patents or other intellectual property of TI.

TI RESOURCES ARE PROVIDED "AS IS" AND WITH ALL FAULTS. TI DISCLAIMS ALL OTHER WARRANTIES OR REPRESENTATIONS, EXPRESS OR IMPLIED, REGARDING TI RESOURCES OR USE THEREOF, INCLUDING BUT NOT LIMITED TO ACCURACY OR COMPLETENESS, TITLE, ANY EPIDEMIC FAILURE WARRANTY AND ANY IMPLIED WARRANTIES OF MERCHANTABILITY, FITNESS FOR A PARTICULAR PURPOSE, AND NON-INFRINGEMENT OF ANY THIRD PARTY INTELLECTUAL PROPERTY RIGHTS.

TI SHALL NOT BE LIABLE FOR AND SHALL NOT DEFEND OR INDEMNIFY YOU AGAINST ANY CLAIM, INCLUDING BUT NOT LIMITED TO ANY INFRINGEMENT CLAIM THAT RELATES TO OR IS BASED ON ANY COMBINATION OF PRODUCTS EVEN IF DESCRIBED IN TI RESOURCES OR OTHERWISE. IN NO EVENT SHALL TI BE LIABLE FOR ANY ACTUAL, DIRECT, SPECIAL, COLLATERAL, INDIRECT, PUNITIVE, INCIDENTAL, CONSEQUENTIAL OR EXEMPLARY DAMAGES IN CONNECTION WITH OR ARISING OUT OF TI RESOURCES OR USE THEREOF, AND REGARDLESS OF WHETHER TI HAS BEEN ADVISED OF THE POSSIBILITY OF SUCH DAMAGES.

You agree to fully indemnify TI and its representatives against any damages, costs, losses, and/or liabilities arising out of your non-compliance with the terms and provisions of this Notice.

This Notice applies to TI Resources. Additional terms apply to the use and purchase of certain types of materials, TI products and services. These include; without limitation, TI's standard terms for semiconductor products (<http://www.ti.com/sc/docs/stdterms.htm>), [evaluation modules](#), and [samples](http://www.ti.com/sc/docs/sampterm.htm) (<http://www.ti.com/sc/docs/sampterm.htm>).

Mailing Address: Texas Instruments, Post Office Box 655303, Dallas, Texas 75265
Copyright © 2017, Texas Instruments Incorporated