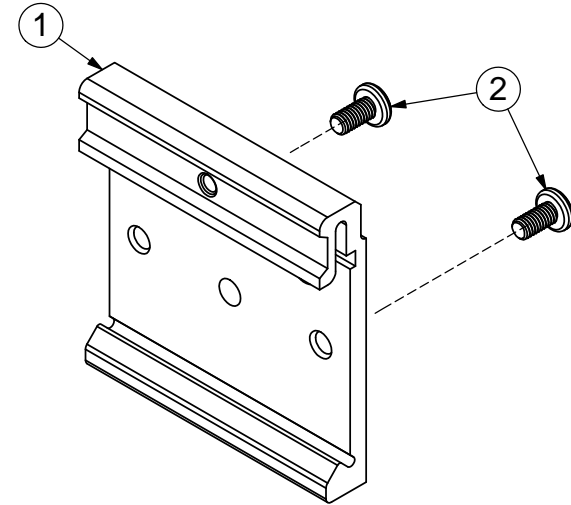
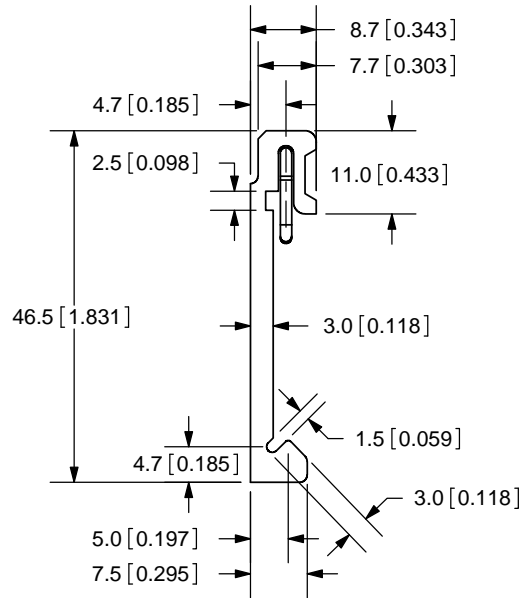
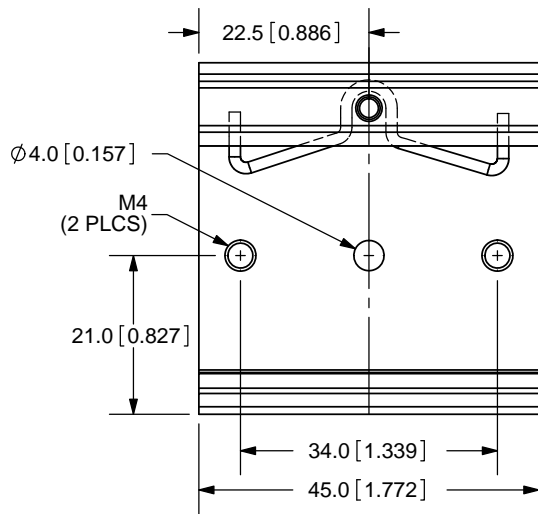


REV.	DESCRIPTION	DATE
A	NEW DRAWING	7/22/2008
B	multiple part updates	7/30/2010
C	mechanical change to the bracket shape	1/23/2012



20050 SW 112th Ave.
 Tualatin, OR 97062
 Phone: 503-612-2300
 800-275-4899
 Fax: 503-612-2383
 Website: www.cui.com

TITLE: DIN RAIL MOUNTING BRACKET		REV: C
PART NO. STK-DIN		UNITS: MM [INCHES]
DRAWN BY: ZRJ	APPROVED BY:	SCALE: 1:1

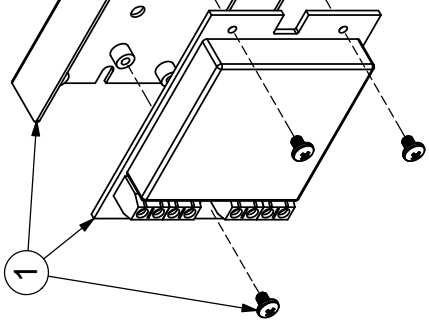
ITEM	DESCRIPTION	QUANTITY
1	VDRP-03	1
2	M4X4 SCREWS	2

PC FILE NAME:
 STK-DIN

COPYRIGHT 2012 BY CUI INC.

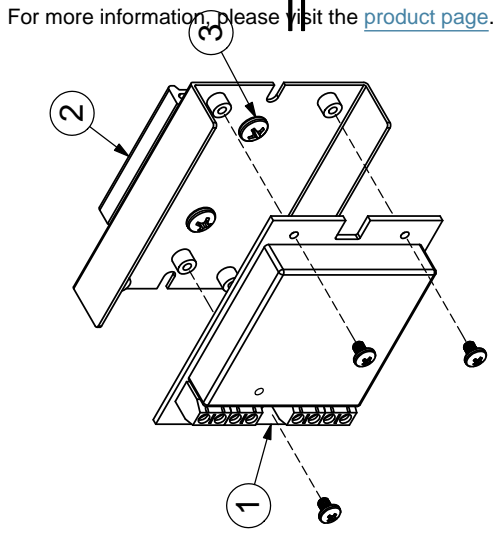
REMOVE PCB ASSEMBLY FROM
CONVERTER U-FRAME BY LOOS-

STEP 1

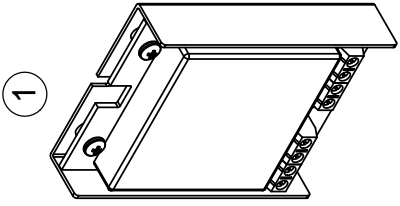


REATTACH PCB ASSEMBLY
CHASSIS MOUNT CONVERTER

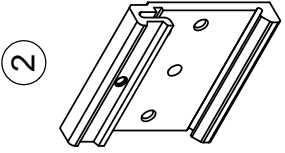
STEP 3



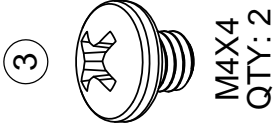
For more information, please visit the [product page](#).



V-INFINITY CHASSIS
MOUNT CONVERTER
QTY: 1
(sold separately)



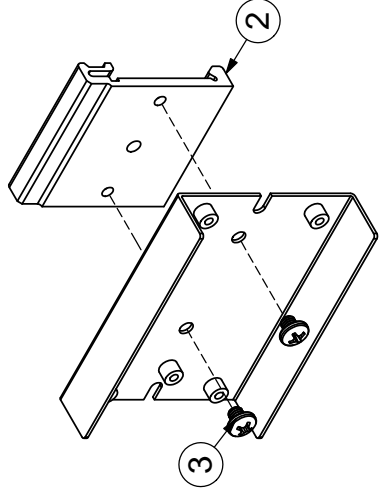
VDRP-03
QTY: 1



M4X4
QTY: 2

ATTACH VDRP-03 TO V-INFINITY CHASSIS MOUNT
CONVERTER U-FRAME USING TWO M4X4 SCREWS

STEP 2



PC FILE NAME:

STK-DIN

COPYRIGHT 2012 BY CUI INC.

TITLE: DIN RA
ASSE

PART NO: STK-DIN

DRAWN BY: ZRJ