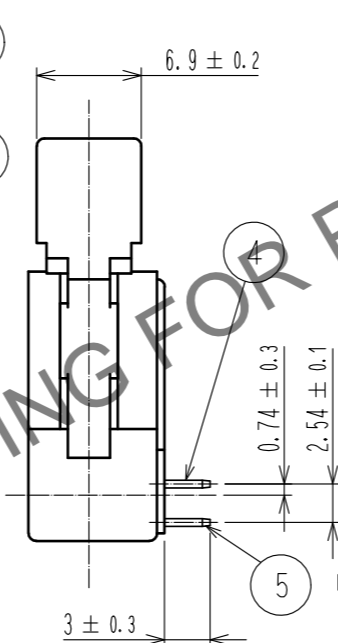
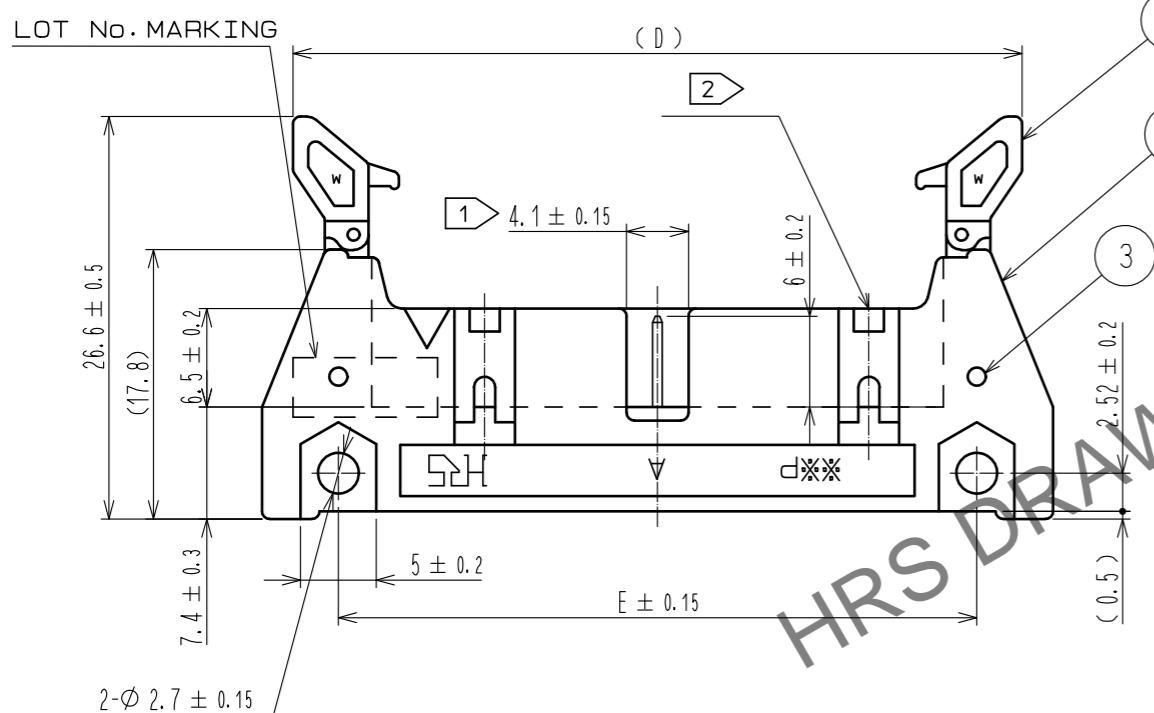
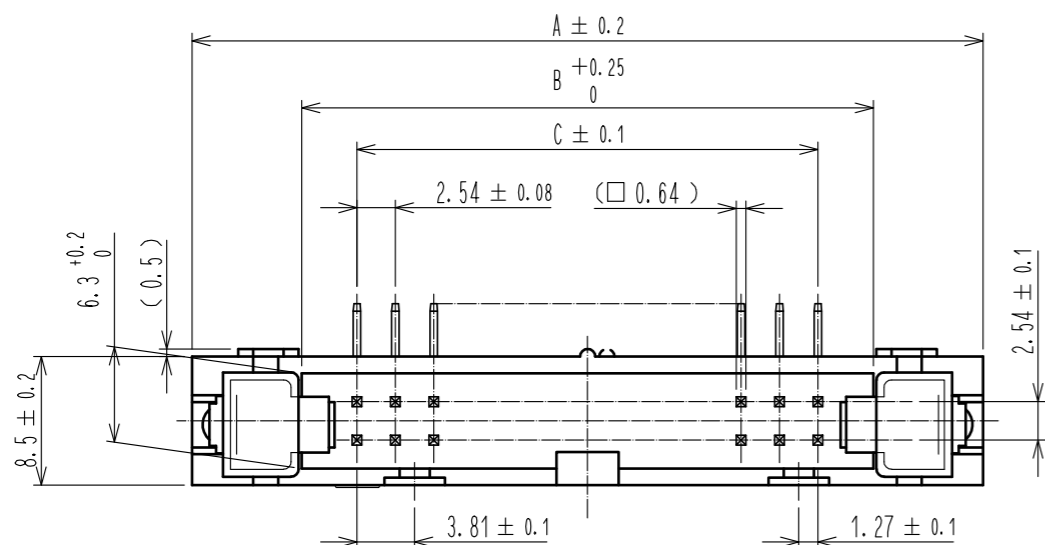
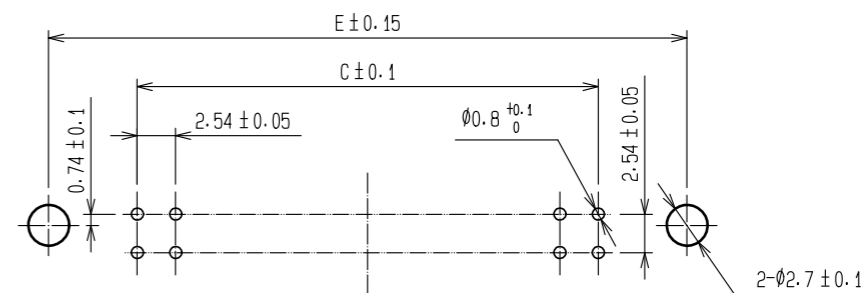


May.1.2026 Copyright 2026 HIROSE ELECTRIC CO., LTD. All Rights Reserved.
In case of consideration for using Automotive equipment / device which demand high reliability, kindly contact our sales window correspondents.

RECOMMENDED PC BOARD HOLE PATTERN
MATING SIDE



HRS No.	CODE No.	8	A	B	C	D	5	E	F	POLARIZING SLOT	POLARIZING KEY INSTALL
HIF3MAW-10PB-2.54DS(63)	CL610-3025-0-63	10	32.0	17.5	10.16	28.14(51.1)	21.8	27.9	NONE	NONE	ONE ON RIGHT SIDE.
HIF3MDW-10PB-2.54DS(63)	CL610-3039-0-63	10								NONE	NONE
HIF3MAW-14PB-2.54DS(63)	CL610-3026-0-63	14	37.1	22.6	15.24	33.24(56.2)	26.9	33.0			ONE ON RIGHT SIDE.
HIF3MAW-16PB-2.54DS(63)	CL610-3027-0-63	16	39.6	25.1	17.78	35.74(58.7)	29.5	35.5			ONE AT CENTER
HIF3MAW-20PB-2.54DS(63)	CL610-3028-0-63	20	44.7	30.2	22.86	40.84(63.8)	34.5	40.6			ONE AT CENTER
HIF3MAW-26PB-2.54DS(63)	CL610-3029-0-63	26	52.3	37.8	30.48	48.44(71.4)	42.2	48.3			ONE AT CENTER
HIF3MAW-30PB-2.54DS(63)	CL610-3030-0-63	30	57.4	42.9	35.56	53.54(76.5)	47.2	53.3			ONE AT CENTER
HIF3MAW-34PB-2.54DS(63)	CL610-3031-0-63	34	62.5	48.0	40.64	58.64(81.6)	52.3	58.4			ONE AT CENTER
HIF3MAW-40PB-2.54DS(63)	CL610-3032-0-63	40	70.1	55.6	48.26	66.24(89.2)	59.9	66.0			ONE AT CENTER
HIF3MAW-50PB-2.54DS(63)	CL610-3033-0-63	50	82.8	68.3	60.96	78.94(101.9)	72.6	78.7	ONE ON RIGHT AND LEFT SIDES, RESP.		ONE ON RIGHT AND LEFT SIDES, RESP.
HIF3MBW-50PB-2.54DS(63)	CL610-3036-0-63	50							ONE AT CENTER		ONE AT CENTER
HIF3MAW-60PB-2.54DS(63)	CL610-3034-0-63	60	95.5	81.0	73.66	91.64(114.6)	85.3	91.4	ONE ON RIGHT AND LEFT SIDES, RESP.		ONE ON RIGHT AND LEFT SIDES, RESP.
HIF3MBW-60PB-2.54DS(63)	CL610-3037-0-63	60							ONE AT CENTER		ONE AT CENTER
HIF3MAW-64PB-2.54DS(63)	CL610-3035-0-63	64	100.6	86.1	78.74	96.74(119.7)	90.4	96.5	ONE ON RIGHT AND LEFT SIDES, RESP.		ONE ON RIGHT AND LEFT SIDES, RESP.
HIF3MBW-64PB-2.54DS(63)	CL610-3038-0-63	64							ONE AT CENTER		ONE AT CENTER

NOTES ① ② THE NUMBER OF POLARIZING SLOT AND KEY INSTALLED POSITIONS CHANGES ACCORDING TO PRODUCTS. REFER TO THE LISTS AS SHOWN ABOVE.

③ THE SPACER MOVES TO THE RIGHT ACCORDING TO THE NUMBER OF CONTACTS.

④ THE 10, 50, 60 AND 64 CONTACT CONNECTORS CONTAIN TWO TYPES OF POLARIZING SLOTS. USE PRODUCTS, CONFIRMING ①, ②

⑤ THE DIMENSIONS IN PARENTHESES SHOWS WHEN THE LOCK OPEN OUT.

⑥ ** INDICATES THE NUMBER OF CONTACTS.

⑦ UL (FILE NO. E52653) CERTIFICATED PRODUCT
C-UL (FILE NO. E52653) CERTIFICATED PRODUCT



⑧ NUMBER OF CONTACTS.

3	STAINLESS		4, 5	BRASS	CONTACT AREA: GOLDO. 15# μin (ONE SURFACE) GOLDO. 08# μin (TWO SURFACE)
1, 2	PBT	BLACK UL94V-0			DIP AREA: TIN-PLATING 2# μin UNDER PLATING: NICKEL 2.5# μin
部番	材質	処理, 備考	部番	材質	処理, 備考
UNITS mm	SCALE FREE	△の数	訂正記事		設計 検図 年月日
承認: HT. YAMAGUCHI 20250513		図番: EDC-408868-00-00			
検図: HT. YAMAGUCHI 20250513		製品名: HIF3M*W-**PB-2.54DS(63)			
設計: TY. EDAGAWA 20250513		製品コード: CL610			
製図: TY. EDAGAWA 20250513					